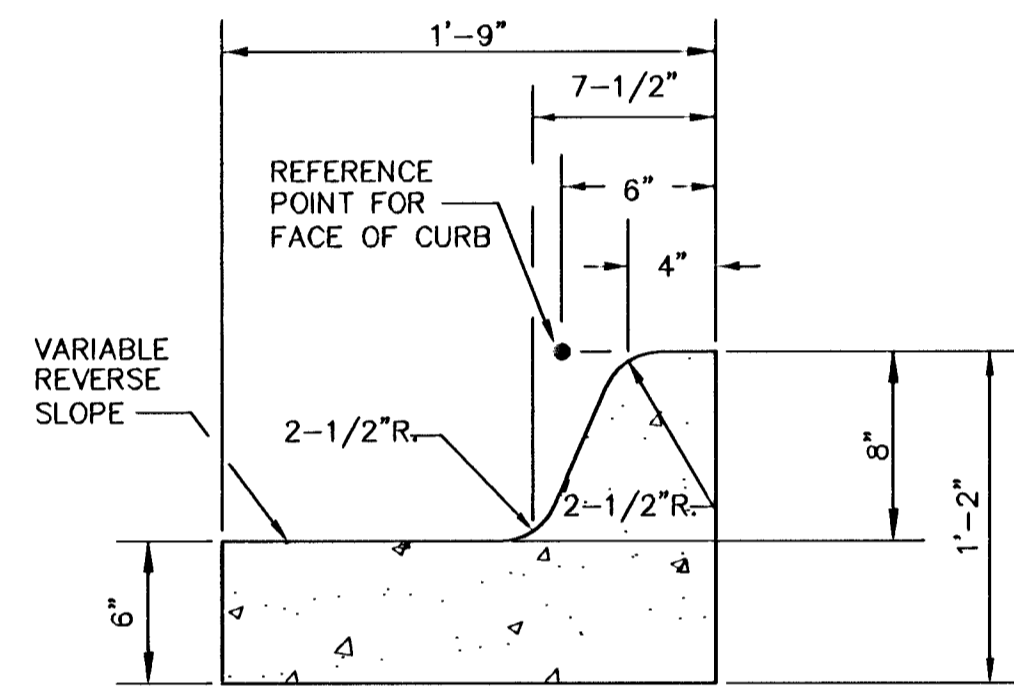
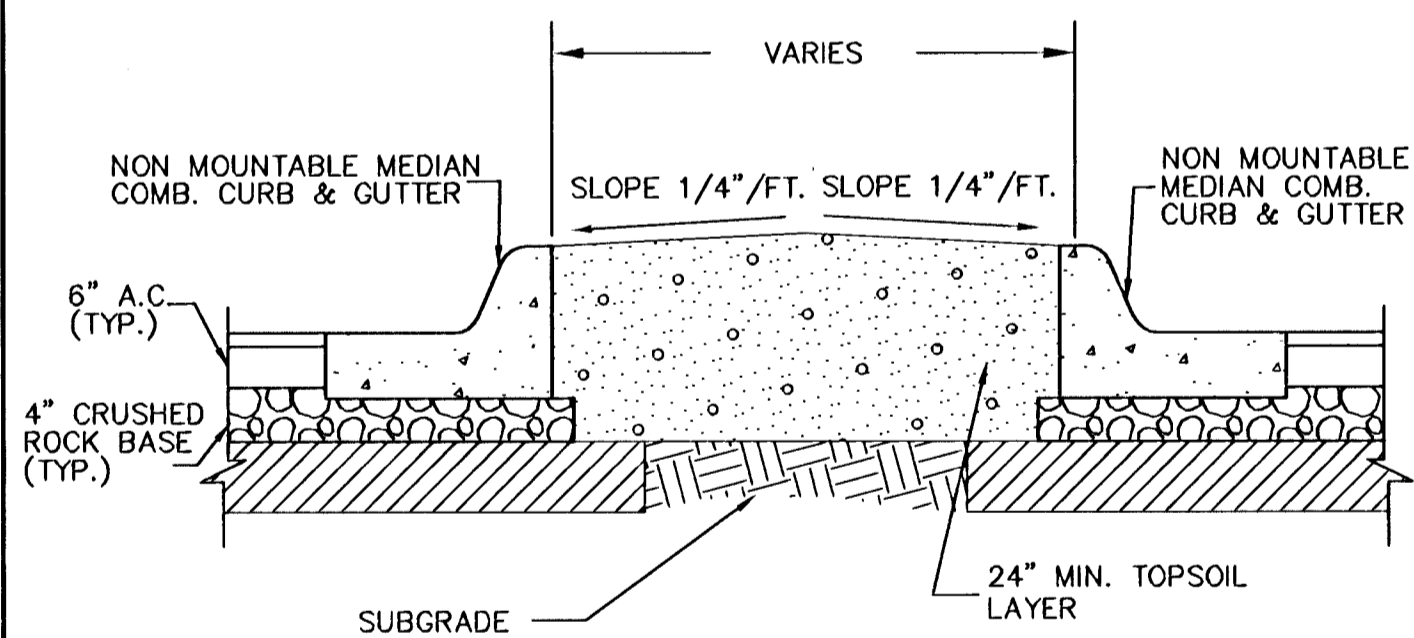


TYPICAL SECTION THRU ENTRANCE



NON MOUNTABLE MEDIAN COMBINED CURB & GUTTER (8")  
SCALE: NONE



MEDIAN DETAIL  
SCALE: NONE

**CURVE TABLE (1)**  
 $\Delta = 31^{\circ}29'22''$  R = 176.00' T = 49.62' L = 96.73' LC = 95.52'  
 CURVE DATA BASED ON CENTERLINE  $\Delta/2 = 15^{\circ}44'41''$

CHORD LENGTH					
STATION	ARC	8'Off LtCb	8'Off RtCb	DEFLECTION	TOTAL DEFLECTION
20+94.99	—	—	—	00'00'00"	00'00'00"
21+00.00	5.01'	5.49'	4.53'	00'48'56"	00'48'56"
21+25.00	25.00'	27.39'	22.57'	04'04'09"	04'53'05"
21+50.00	25.00'	27.39'	22.57'	04'04'09"	08'57'15"
21+75.00	25.00'	27.39'	22.57'	04'04'09"	13'01'24"
21+91.72	16.72'	18.33'	15.10'	02'43'17"	15'44'41"

Def/Ft = 9.76633 Min.

**CURVE TABLE (2)**  
 $\Delta = 02^{\circ}09'41''$  R = 224.00' T = 4.23' L = 8.45' LC = 8.45'  
 CURVE DATA BASED ON CENTERLINE  $\Delta/2 = 01^{\circ}04'50''$

CHORD LENGTH					
STATION	ARC	8'Off LtCb	8'Off RtCb	DEFLECTION	TOTAL DEFLECTION
21+91.72	—	—	—	00'00'00"	00'00'00"
22+00.00	8.28'	7.65'	8.91'	01'03'32"	01'03'32"
22+00.17	0.17'	0.16'	0.18'	00'01'18"	01'04'50"
22+11.90	11.73'	10.84'	12.62'	01'30'01"	02'34'51"

Def/Ft = 7.67354 Min.

**CURVE TABLE (3)**  
 $\Delta = 13^{\circ}38'09''$  R = 176.00' T = 21.04' L = 41.89' LC = 41.79'  
 CURVE DATA BASED ON CENTERLINE  $\Delta/2 = 06^{\circ}49'05''$

CHORD LENGTH					
STATION	ARC	8'Off LtCb	8'Off RtCb	DEFLECTION	TOTAL DEFLECTION
30+00.00	—	—	—	00'00'00"	00'00'00"
30+25.00	25.00'	22.57'	27.39'	04'04'09"	04'04'09"
30+41.89	16.89'	15.25'	18.51'	02'44'55"	06'49'04"

Def/Ft = 9.76633 Min.

**CURVE TABLE (4)**  
 $\Delta = 17^{\circ}30'59''$  R = 224.00' T = 34.51' L = 68.48' LC = 68.21'  
 CURVE DATA BASED ON CENTERLINE  $\Delta/2 = 08^{\circ}45'29''$

CHORD LENGTH					
STATION	ARC	8'Off LtCb	8'Off RtCb	DEFLECTION	TOTAL DEFLECTION
30+41.89	—	—	—	00'00'00"	00'00'00"
30+50.00	8.11'	8.73'	7.49'	01'02'14"	01'02'14"
30+75.00	25.00'	26.88'	23.09'	03'11'50"	04'14'04"
31+00.00	25.00'	26.88'	23.09'	03'11'50"	07'25'55"
31+10.37	10.37'	11.16'	9.58'	01'19'35"	08'45'29"

Def/Ft = 7.67354 Min.

**CURVE TABLE (5)**  
 $\Delta = 67^{\circ}58'24''$  R = 600.00' T = 404.50' L = 711.82' LC = 670.80'  
 CURVE DATA BASED ON CENTERLINE  $\Delta/2 = 33^{\circ}59'12''$

CHORD LENGTH					
STATION	ARC	8'Off LtCb	8'Off RtCb	DEFLECTION	TOTAL DEFLECTION
50+79.58	—	—	—	00'00'00"	00'00'00"
51+00.00	20.42'	21.17'	19.67'	00'58'30"	00'58'30"
51+25.00	25.00'	25.91'	24.08'	01'11'37"	02'10'07"
51+50.00	25.00'	25.91'	24.08'	01'11'37"	03'21'44"
51+75.00	25.00'	25.91'	24.08'	01'11'37"	04'33'21"
52+00.00	25.00'	25.91'	24.08'	01'11'37"	05'44'59"
52+25.00	25.00'	25.91'	24.08'	01'11'37"	06'56'36"
52+50.00	25.00'	25.91'	24.08'	01'11'37"	08'08'13"
52+75.00	25.00'	25.91'	24.08'	01'11'37"	09'19'50"
53+00.00	25.00'	25.91'	24.08'	01'11'37"	10'31'27"
53+25.00	25.00'	25.91'	24.08'	01'11'37"	11'43'05"
53+50.00	25.00'	25.91'	24.08'	01'11'37"	12'54'42"
53+75.00	25.00'	25.91'	24.08'	01'11'37"	14'06'19"
54+00.00	25.00'	25.91'	24.08'	01'11'37"	15'17'56"
54+25.00	25.00'	25.91'	24.08'	01'11'37"	16'29'33"
54+50.00	25.00'	25.91'	24.08'	01'11'37"	17'41'10"
54+75.00	25.00'	25.91'	24.08'	01'11'37"	18'52'48"
55+00.00	25.00'	25.91'	24.08'	01'11'37"	20'04'25"
55+25.00	25.00'	25.91'	24.08'	01'11'37"	21'16'02"
55+50.00	25.00'	25.91'	24.08'	01'11'37"	22'27'39"
55+75.00	25.00'	25.91'	24.08'	01'11'37"	23'39'16"
56+00.00	25.00'	25.91'	24.08'	01'11'37"	24'50'54"
56+18.06	18.06'	18.72'	17.40'	00'51'44"	25'42'38"

Def/Ft = 2.86479 Min.

