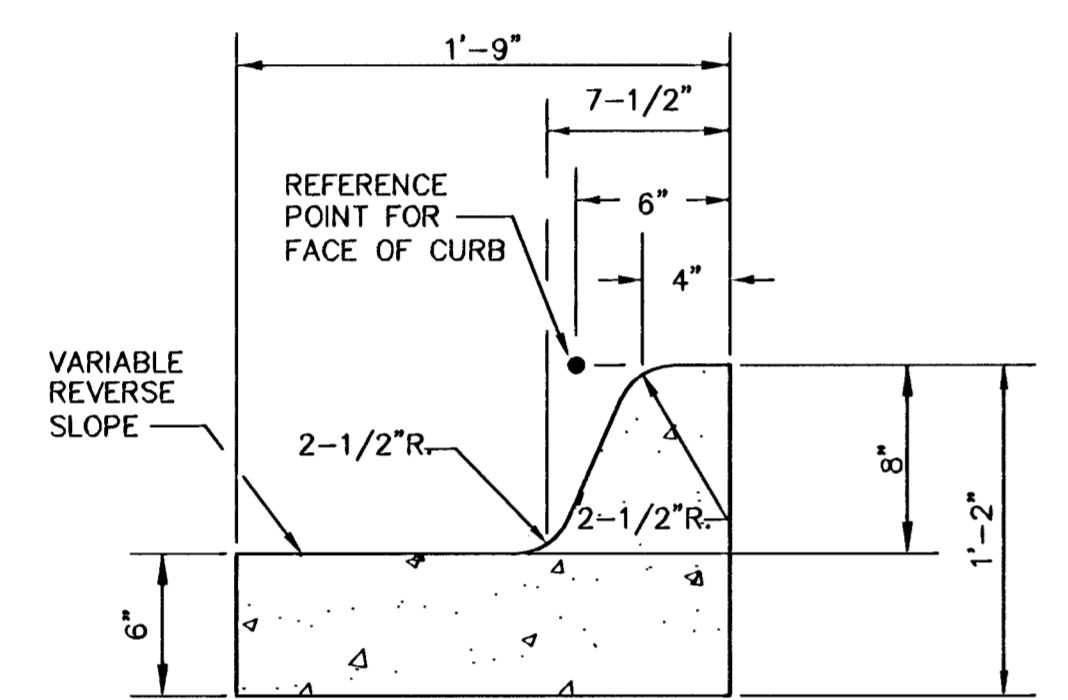
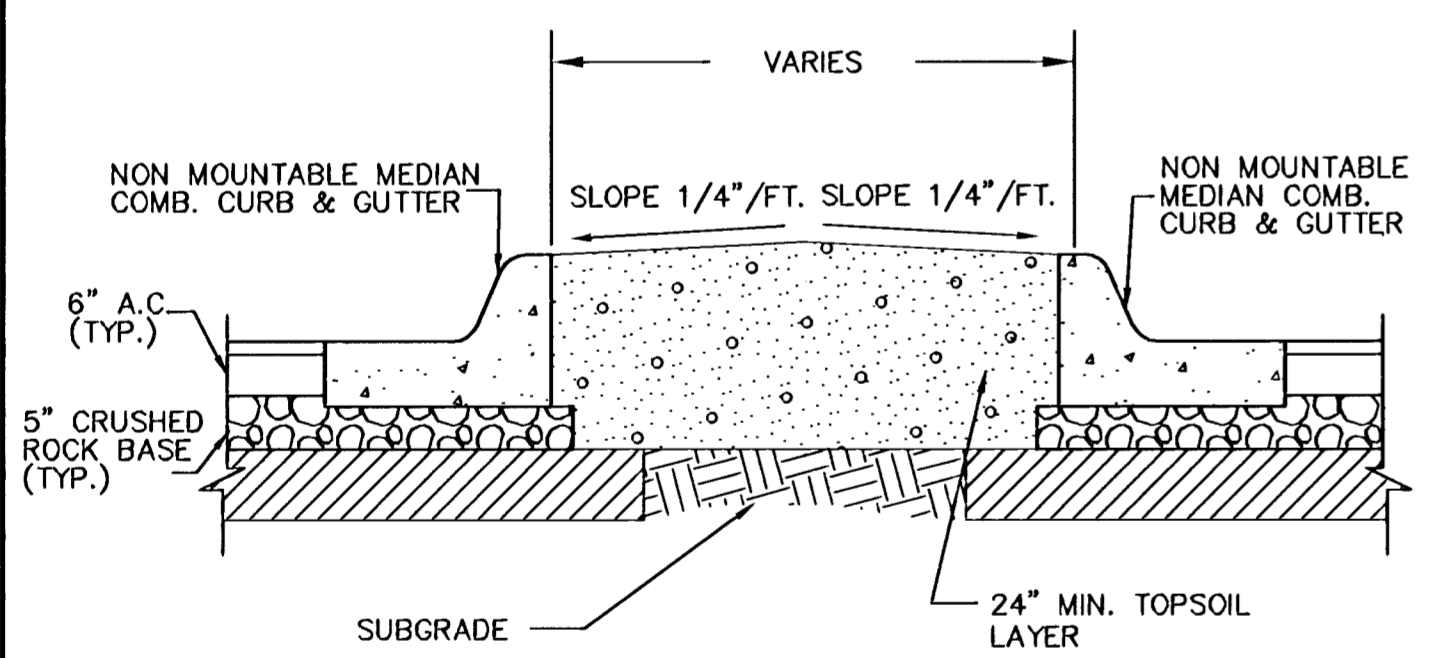


TYPICAL SECTION THRU ENTRANCE



NON MOUNTABLE MEDIAN COMBINED CURB & GUTTER (8")  
SCALE: NONE



MEDIAN DETAIL  
SCALE: NONE

**CURVE TABLE (1)**  
 $\Delta = 96^{\circ}31'44''$  R = 350.00' T = 392.34' L = 589.66' LC = 522.36'  
 CURVE DATA BASED ON CENTERLINE  $\Delta/2 = 48^{\circ}15'52''$

CHORD LENGTH					
STATION	ARC	8'Off LtCb	8'Off RtCb	DEFLECTION	TOTAL DEFLECTION
42+34.08	-	-	-	00'00'00"	00'00'00"
42+50.00	15.92'	14.92'	16.92'	01'18'11"	01'18'11"
42+75.00	25.00'	23.42'	26.57'	02'02'47"	03'20'58"
43+00.00	25.00'	23.42'	26.57'	02'02'47"	05'23'44"
43+25.00	25.00'	23.42'	26.57'	02'02'47"	07'26'31"
43+50.00	25.00'	23.42'	26.57'	02'02'47"	09'29'17"
43+75.00	25.00'	23.42'	26.57'	02'02'47"	11'32'04"
44+00.00	25.00'	23.42'	26.57'	02'02'47"	13'34'51"
44+25.00	25.00'	23.42'	26.57'	02'02'47"	15'37'37"
44+50.00	25.00'	23.42'	26.57'	02'02'47"	17'40'24"
44+75.00	25.00'	23.42'	26.57'	02'02'47"	19'43'10"
45+00.00	25.00'	23.42'	26.57'	02'02'47"	21'45'57"
45+25.00	25.00'	23.42'	26.57'	02'02'47"	23'48'44"
45+50.00	25.00'	23.42'	26.57'	02'02'47"	25'51'30"
45+75.00	25.00'	23.42'	26.57'	02'02'47"	27'54'17"
46+00.00	25.00'	23.42'	26.57'	02'02'47"	29'57'03"
46+25.00	25.00'	23.42'	26.57'	02'02'47"	31'59'50"
46+50.00	25.00'	23.42'	26.57'	02'02'47"	34'02'37"
46+75.00	25.00'	23.42'	26.57'	02'02'47"	36'05'23"
47+00.00	25.00'	23.42'	26.57'	02'02'47"	38'08'10"
47+25.00	25.00'	23.42'	26.57'	02'02'47"	40'10'56"
47+50.00	25.00'	23.42'	26.57'	02'02'47"	42'13'43"
47+75.00	25.00'	23.42'	26.57'	02'02'47"	44'16'30"
48+00.00	25.00'	23.42'	26.57'	02'02'47"	46'19'16"
48+23.74	23.74'	22.24'	25.23'	01'56'35"	48'15'52"

Def/Ft = 4.91107 Min.

**CURVE TABLE (2)**  
 $\Delta = 07^{\circ}55'24''$  R = 345.00' T = 23.89' L = 47.71' LC = 47.67'  
 CURVE DATA BASED ON CENTERLINE  $\Delta/2 = 03^{\circ}57'42''$

CHORD LENGTH					
STATION	ARC	8'Off LtCb	8'Off RtCb	DEFLECTION	TOTAL DEFLECTION
20+00.00	-	-	-	00'00'00"	00'00'00"
20+25.00	25.00'	23.76'	26.23'	02'04'33"	02'04'33"
20+47.71	22.71'	21.59'	23.82'	01'53'09"	03'57'42"

Def/Ft = 4.98224 Min.

**CURVE TABLE (3)**  
 $\Delta = 15^{\circ}01'41''$  R = 176.00' T = 23.21' L = 46.16' LC = 46.03'  
 CURVE DATA BASED ON CENTERLINE  $\Delta/2 = 07^{\circ}30'50''$

CHORD LENGTH					
STATION	ARC	8'Off LtCb	8'Off RtCb	DEFLECTION	TOTAL DEFLECTION
20+47.71	-	-	-	00'00'00"	00'00'00"
20+75.00	27.29'	29.90'	24.63'	04'26'31"	04'26'31"
20+93.87	18.87'	20.69'	17.04'	03'04'19"	07'30'50"
20+94.99	1.12'	1.23'	1.01'	00'10'55"	07'41'45"

Def/Ft = 9.76633 Min.

**CURVE TABLE (4)**  
 $\Delta = 14^{\circ}41'38''$  R = 224.00' T = 28.88' L = 57.45' LC = 57.29'  
 CURVE DATA BASED ON CENTERLINE  $\Delta/2 = 07^{\circ}20'49''$

CHORD LENGTH					
STATION	ARC	8'Off LtCb	8'Off RtCb	DEFLECTION	TOTAL DEFLECTION
30+00.00	-	-	-	00'00'00"	00'00'00"
30+25.00	25.00'	26.88'	23.09'	03'11'50"	03'11'50"
30+50.00	25.00'	26.88'	23.09'	03'11'50"	06'23'41"
30+57.45	7.45'	8.01'	6.88'	00'57'08"	07'20'49"

Def/Ft = 7.67354 Min.

**CURVE TABLE (5)**  
 $\Delta = 08^{\circ}41'50''$  R = 600.00' T = 45.63' L = 91.08' LC = 90.99'  
 CURVE DATA BASED ON CENTERLINE  $\Delta/2 = 04^{\circ}20'55''$

CHORD LENGTH					
STATION	ARC	8'Off LtCb	8'Off RtCb	DEFLECTION	TOTAL DEFLECTION
48+47.36	-	-	-	00'00'00"	00'00'00"
48+75.00	27.64'	28.42'	26.85'	01'19'11"	01'19'11"
49+00.00	25.00'	25.71'	24.29'	01'11'37"	02'30'48"
49+25.00	25.00'	25.71'	24.29'	01'11'37"	03'42'25"
49+38.43	13.43'	13.61'	13.05'	00'38'28"	04'20'54"

Def/Ft = 2.86479 Min.

**CURVE TABLE (6)**  
 $\Delta = 10^{\circ}51'41''$  R = 176.00' T = 16.73' L = 33.36' LC = 33.31'  
 CURVE DATA BASED ON CENTERLINE  $\Delta/2 = 05^{\circ}25'50''$

CHORD LENGTH					
STATION	ARC	8'Off LtCb	8'Off RtCb	DEFLECTION	TOTAL DEFLECTION
30+57.45	-	-	-	00'00'00"	00'00'00"
30+75.00	17.55'	15.85'	19.24'	02'51'24"	02'51'24"
30+90.81	15.81'	14.28'	17.33'	02'34'24"	05'25'48"

Def/Ft = 9.76633 Min.

**FOX RIDGE ADDITION**  
PROJECT NAME

**PAVING DETAILS & CURVE TABLES**  
SHEET TITLE

DK DESIGN BY: DM DRAWN BY: DK CHECKED BY:

JULY 2003 DATE: 99118ED2 JOB NO.: 3 / 25 SHEET/OF

411 N. WEBB ROAD  
WICHITA, KS. 67206  
316-684-9600