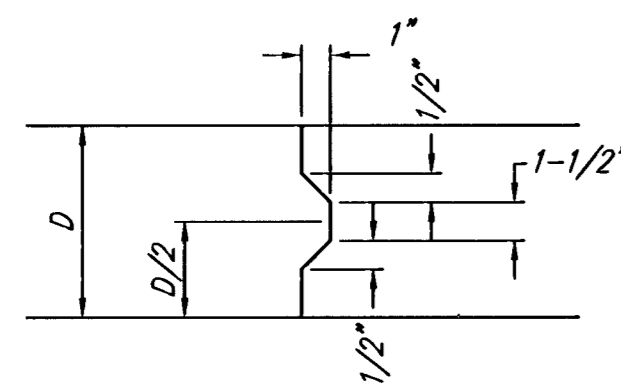
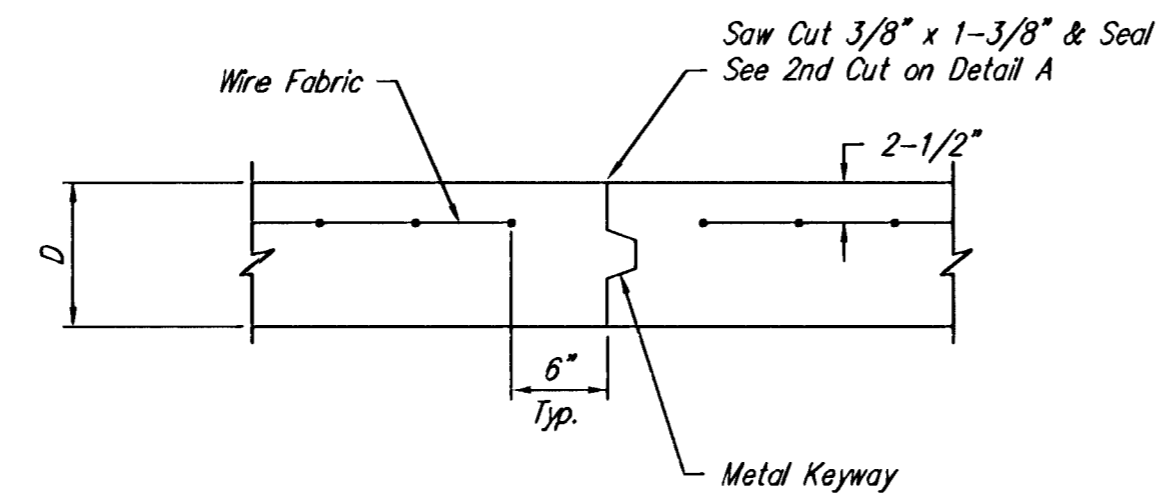


EXPANSION JOINT

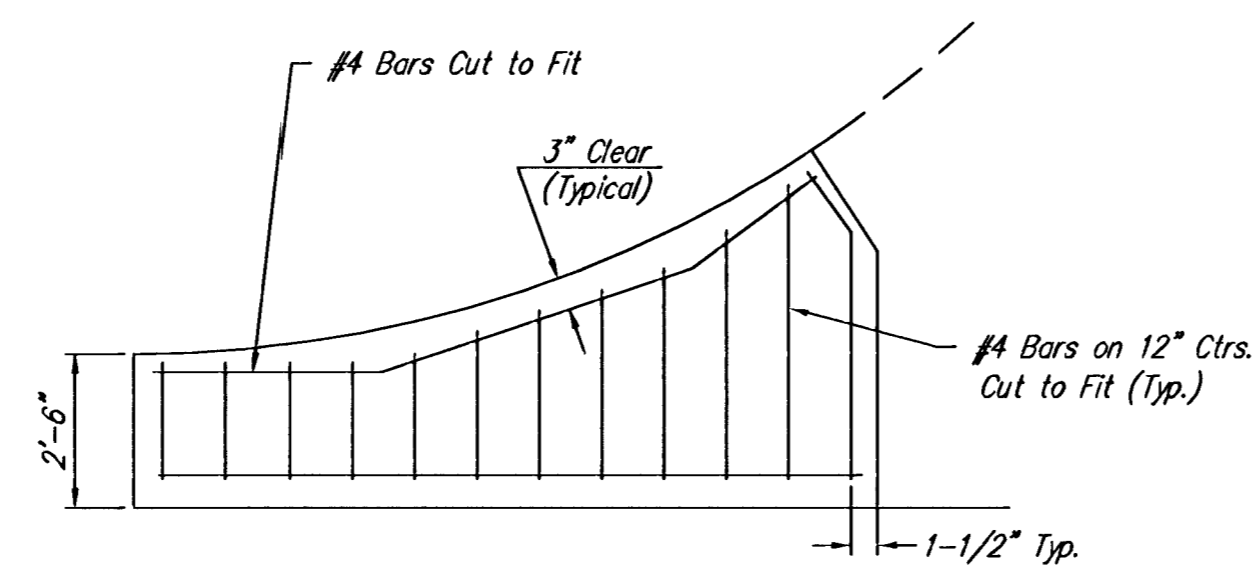
NOTE: Extra Thickness to be Subsidiary to Price of Square Yards Pavement



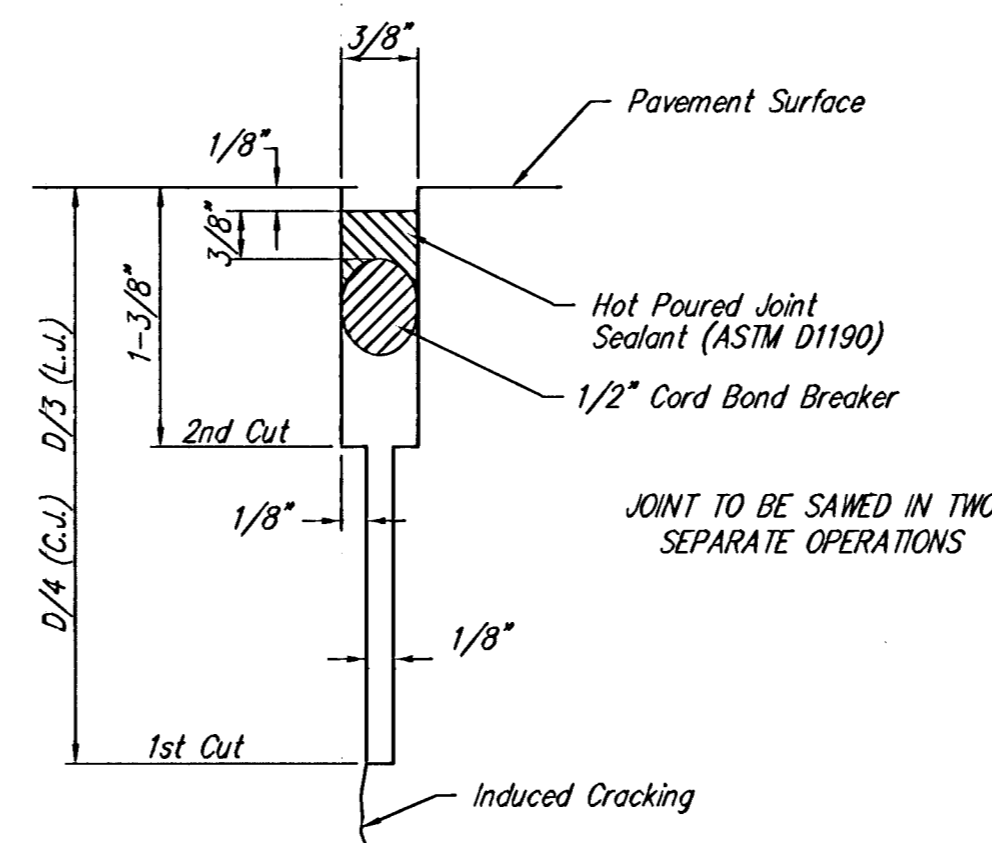
KEYWAY DETAIL



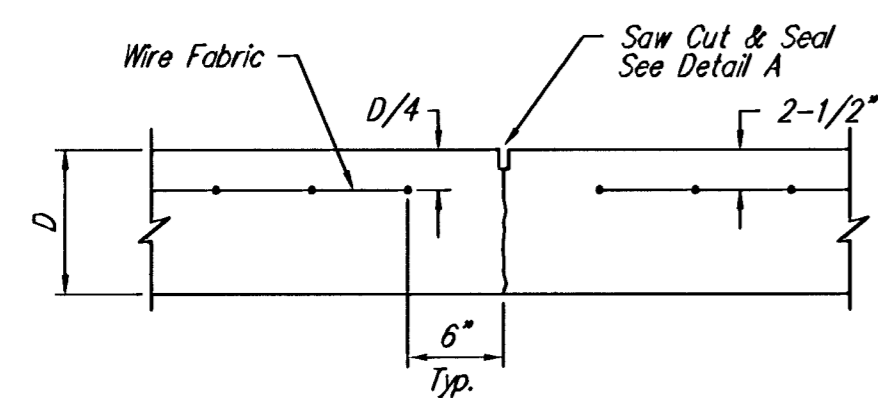
OPTIONAL CONTRACTION JOINT



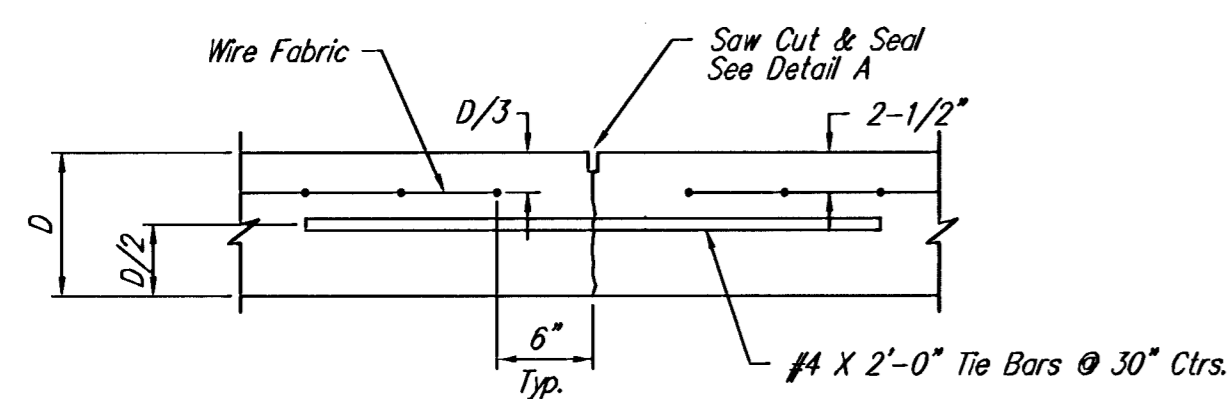
WING REINFORCING DETAIL



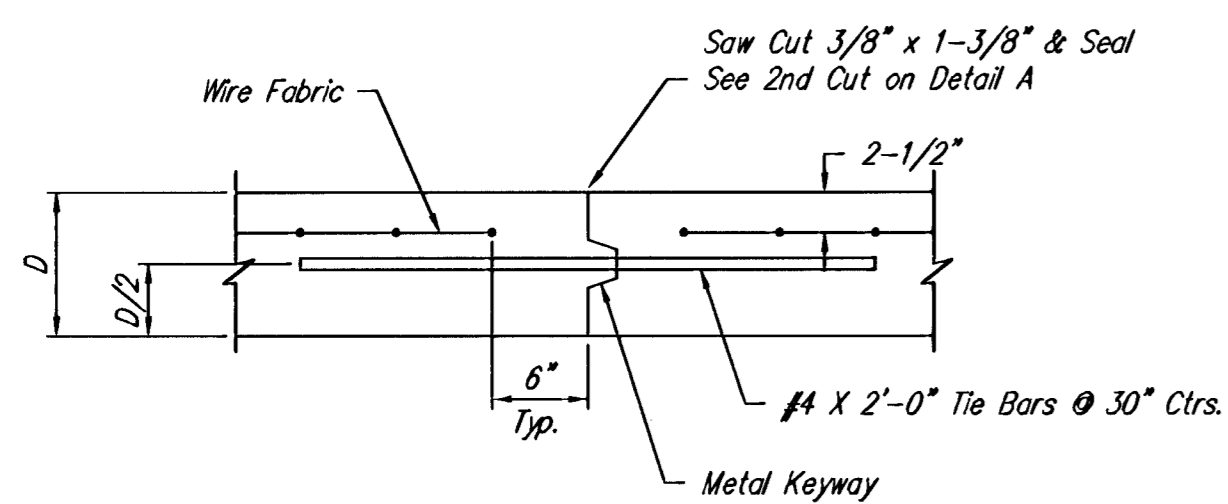
SAW JOINT DETAIL



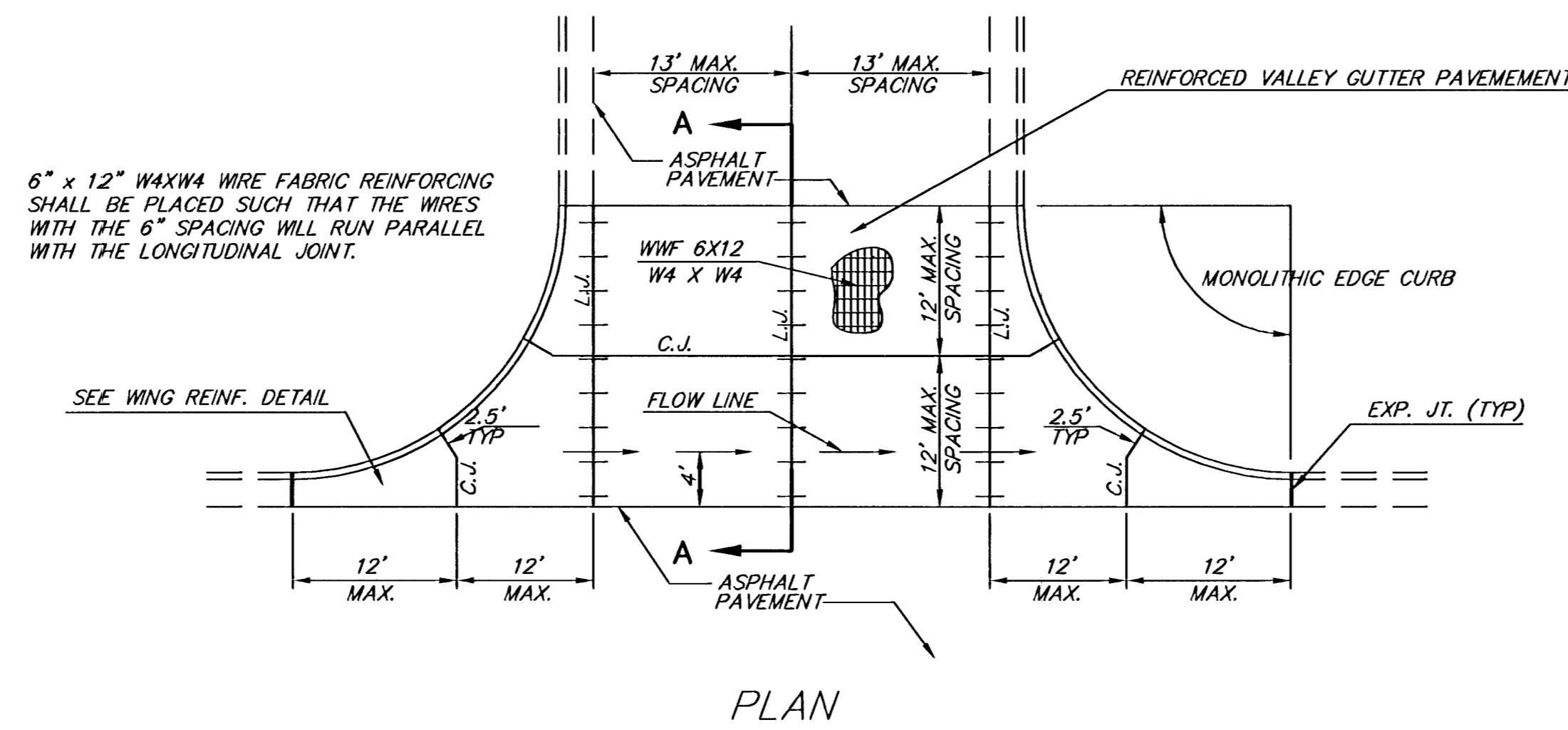
CONTRACTION JOINT DETAIL (C.J.)



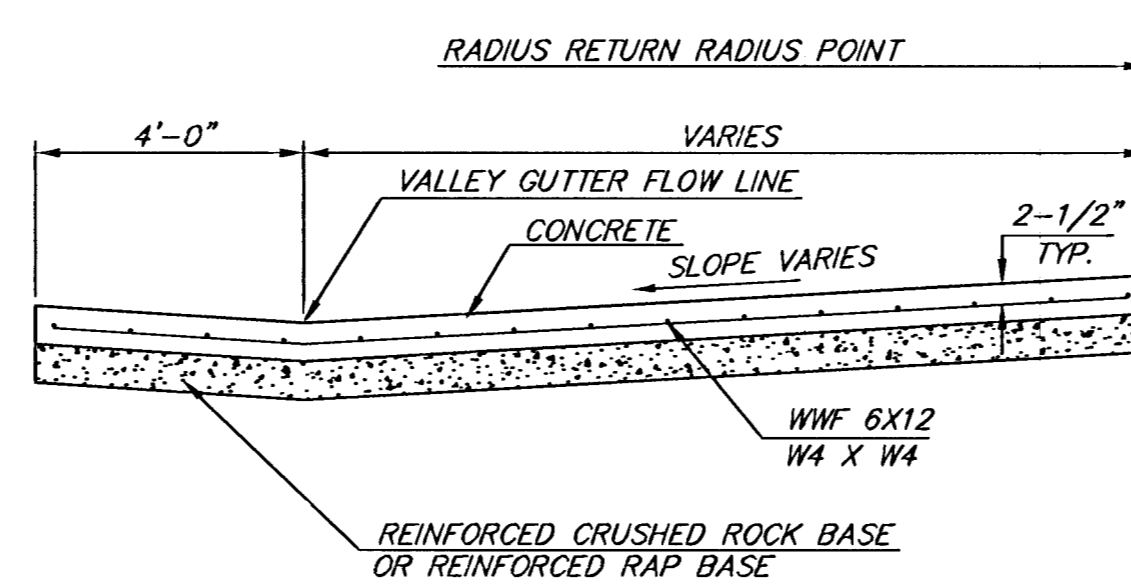
LONGITUDINAL JOINT DETAIL (L.J.)



OPTIONAL LONGITUDINAL JOINT DETAIL (L.J.)



PLAN



SECTION A-A

REINFORCED VALLEY GUTTER DETAIL

<p>THE CITY OF WICHITA</p> <p>CITY ENGINEER'S OFFICE 455 NORTH MAIN STREET WICHITA, KANSAS 67202 (316) 268-4500 (316) 268-4114 FAX</p>	<p>VALLEY GUTTER DETAILS</p> <p>WHEELCHAIR RAMP</p> <p>DETAILS</p>	
	<p>NEIL D. CABLE, P.E. - CITY ENGINEER</p>	
	<p>PROJECT NUMBER XXX-XXXX</p>	<p>INDEX CODE XXXXXX</p>
	<p>DATE APR 03</p>	<p>SHEET 4 OF 25</p>