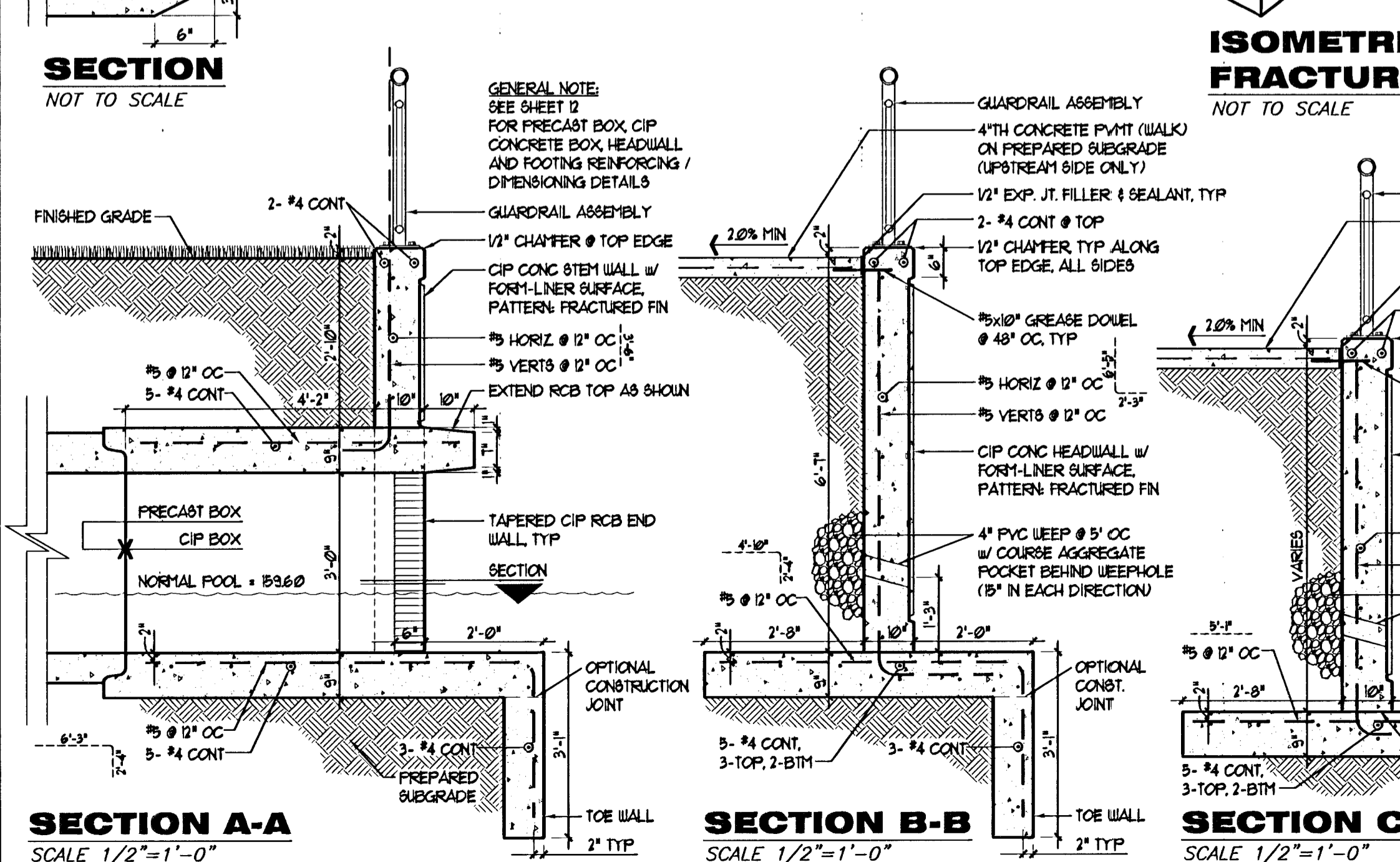
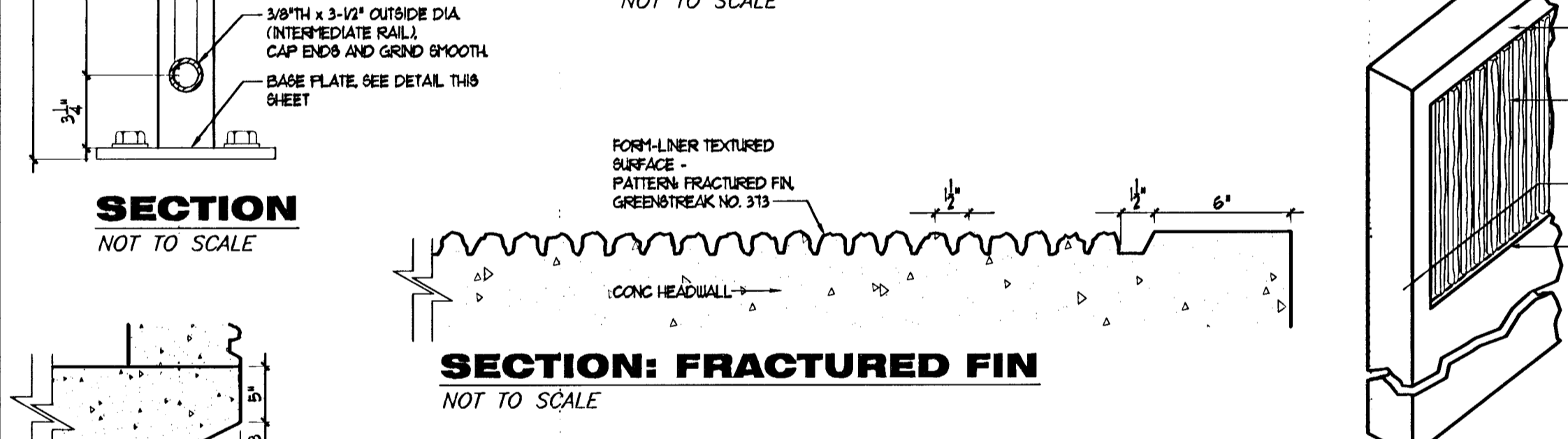
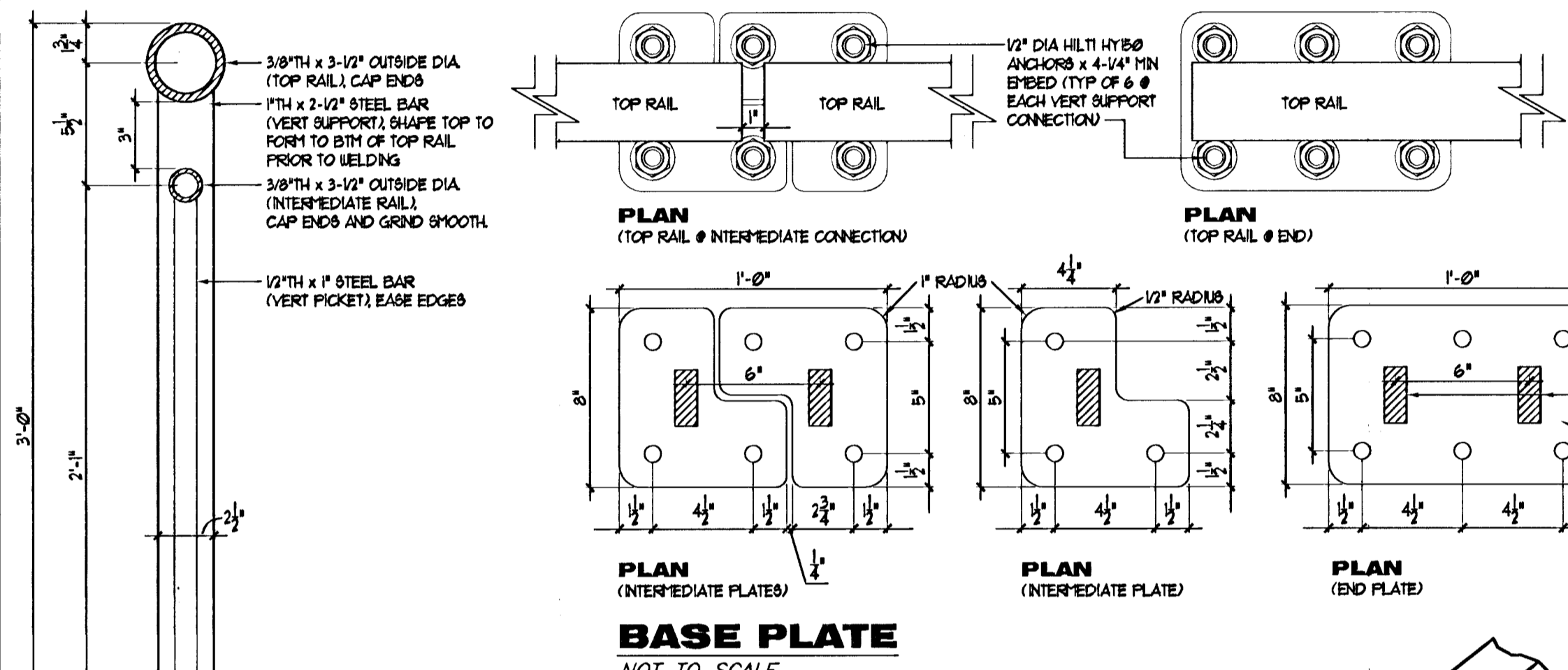
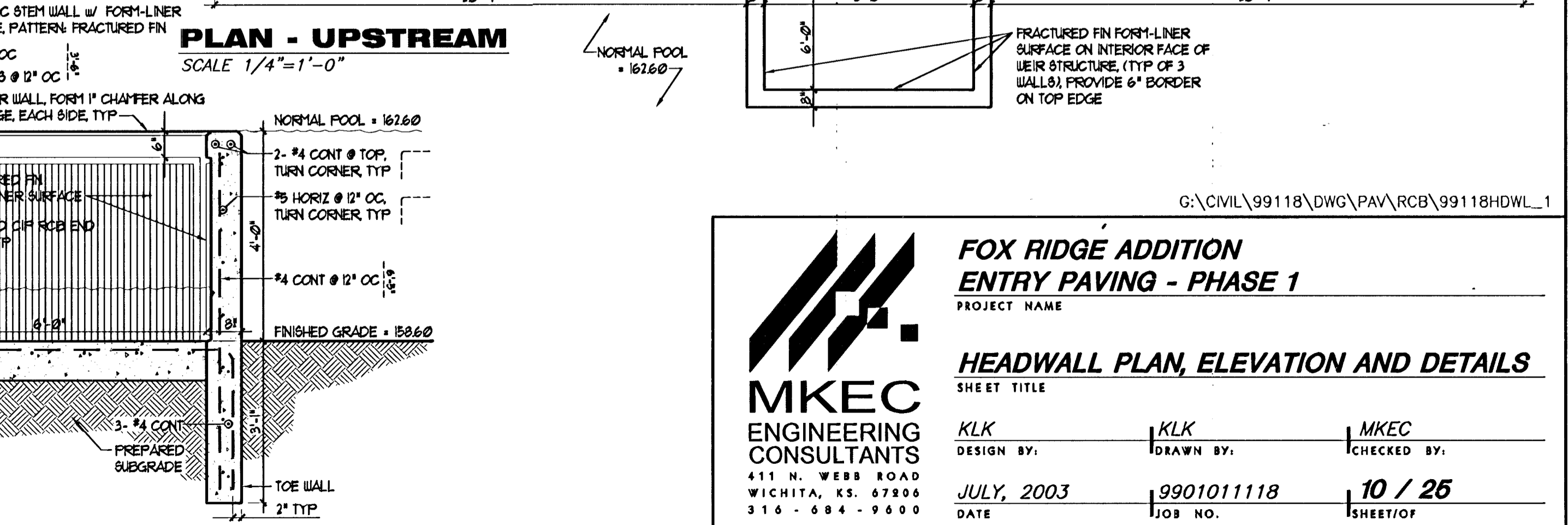
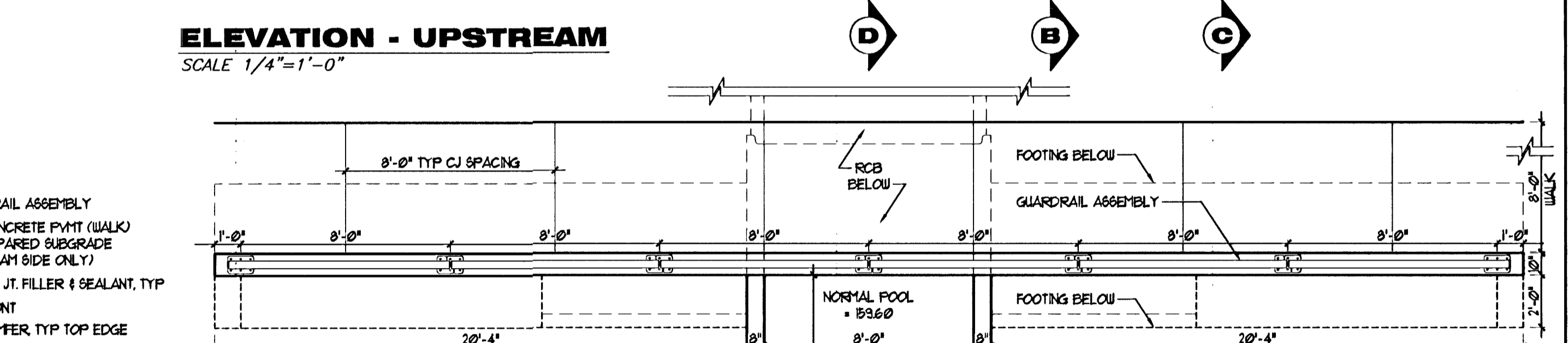
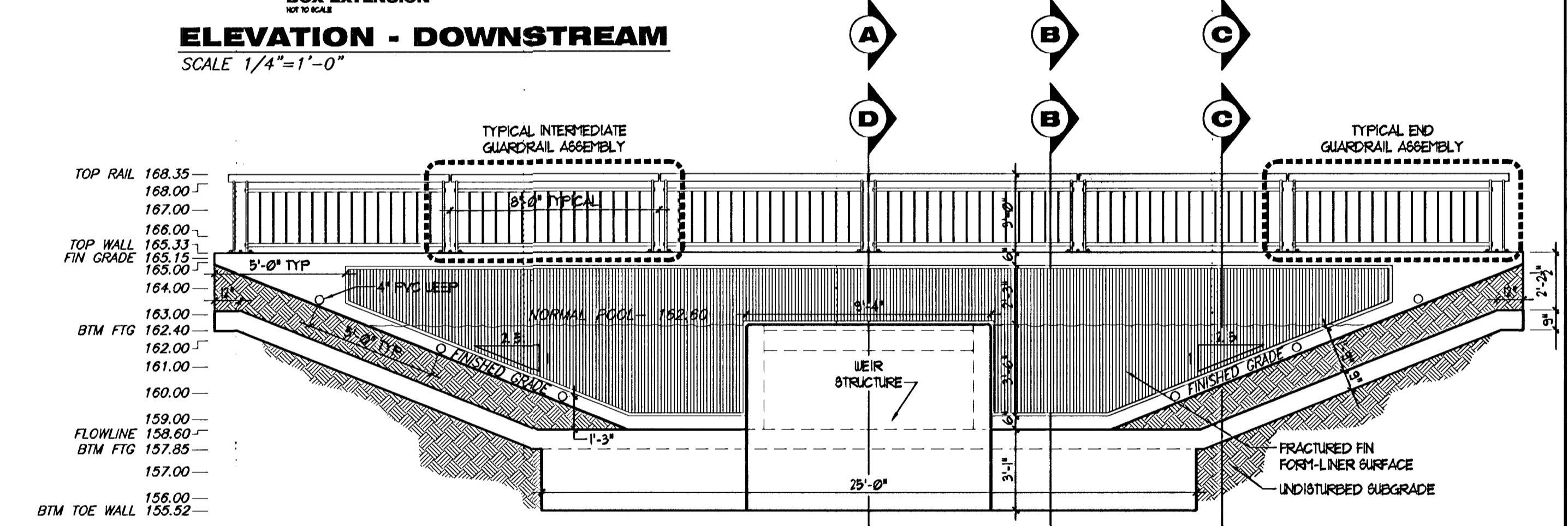
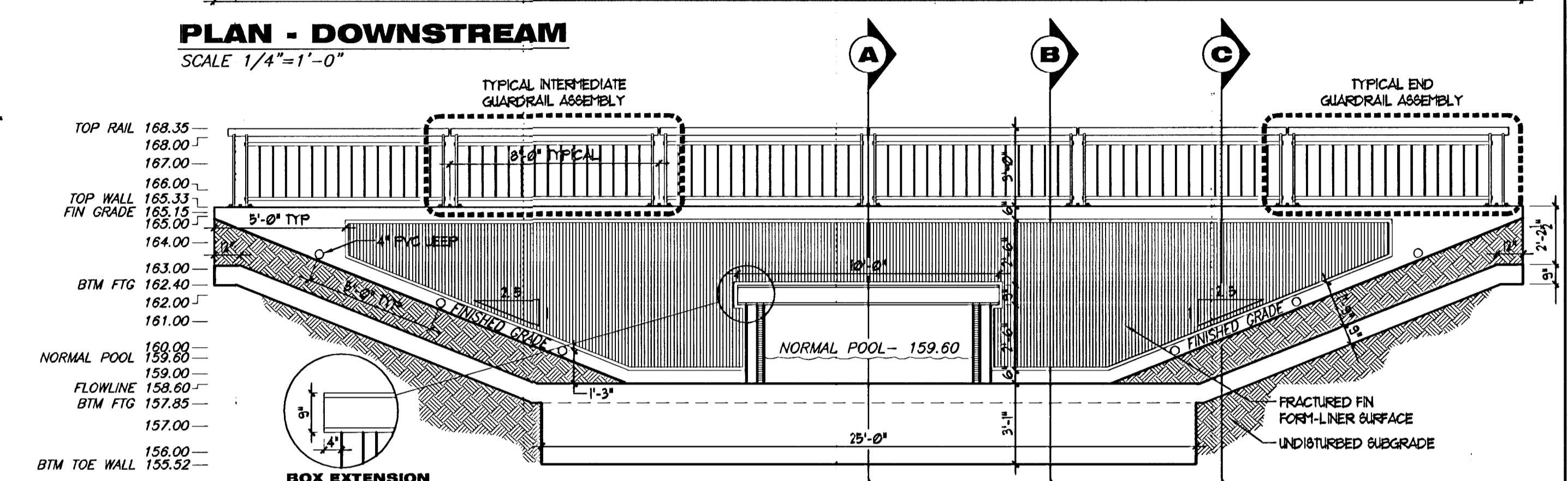
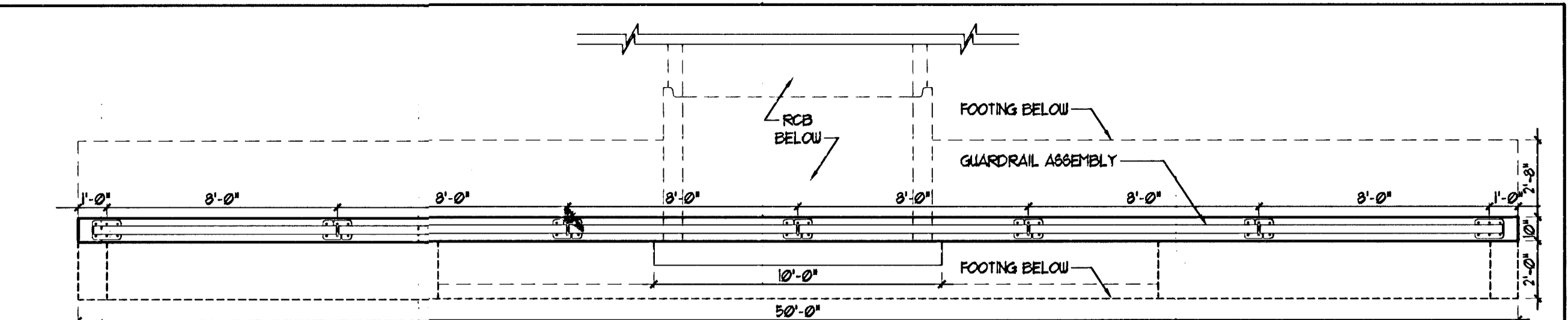


**GUARDRAIL ASSEMBLY**  
SCALE 1"=1'-0"



- GENERAL NOTES**
- 1) CONCRETE SHALL HAVE A MINIMUM COMPRESSIVE STRENGTH OF 4000 PSI AT 28 DAYS. CONTRACTOR SHALL SUBMIT CONCRETE MIX DESIGN TO ENGINEER FOR APPROVAL PRIOR TO CONSTRUCTION.
  - 2) CONCRETE SHALL CONFORM TO THE CURRENT 'ACI MANUAL OF CONCRETE PRACTICE'.
  - 3) CONCRETE COVER SHALL BE 3" IN BOTTOM OF FOOTING CAST AGAINST SOIL. ALL OTHER COVER SHALL BE 2".
  - 4) PORTLAND CEMENT SHALL CONFORM TO ASTM C-150, TYPE I OR III.
  - 5) TEXTURED CONCRETE SURFACE SHALL BE PROVIDED ON FACES OF HEADWALL STRUCTURE. TEXTURE SHALL BE FORMED WITH GREENBREAK NO. 313 FRACTURED FIN FORM-LINER PATTERN OR EQUAL AS SHOWN IN SECTION DETAIL THIS SHEET. PATTERN SHALL HAVE A 6" BORDER ALONG THE TOP AND SIDES AS SHOWN. THE TEXTURED CONCRETE SURFACE SHALL BE FLUSH OR SLIGHTLY RECESSED BEHIND THE FACE OF THE PERIMETER SURFACES.
  - 6) AGGREGATE FOR NORMAL WEIGHT CONCRETE SHALL MEET ASTM C33.
  - 7) REINFORCING SHALL MEET ASTM A618 OR GR 60.
  - 8) FOOTINGS SHALL BEAR ON UNDISTURBED EARTH OR ENGINEERED FILL AT ELEVATIONS SHOWN ON DETAILS.
  - 9) EARTHWORK SHALL BE CONSIDERED SUBSIDIARY TO HEADWALL CONSTRUCTION.
  - 10) PRODUCT MOCK-UPS SHALL BE REQUIRED ON ALL WALL AND STEEL SYSTEMS PRIOR TO COMMENCEMENT OF WORK. WALL AND STEEL SYSTEM MOCK-UPS MAY VARY IN HEIGHT AND LENGTH (TO BE DETERMINED BY LANDSCAPE ARCHITECT).



G:\CIVIL\99118\DWG\PAV\RCB\99118HDWL\_1

**FOX RIDGE ADDITION**  
**ENTRY PAVING - PHASE 1**  
PROJECT NAME

**MKEC**  
ENGINEERING CONSULTANTS  
411 N. WEBB ROAD  
WICHITA, KS. 67206  
316-684-9600

**HEADWALL PLAN, ELEVATION AND DETAILS**  
SHEET TITLE

KLK DESIGN BY:	KLK DRAWN BY:	MKEC CHECKED BY:
JULY, 2003 DATE	990101118 JOB NO.	10 / 25 SHEET OF