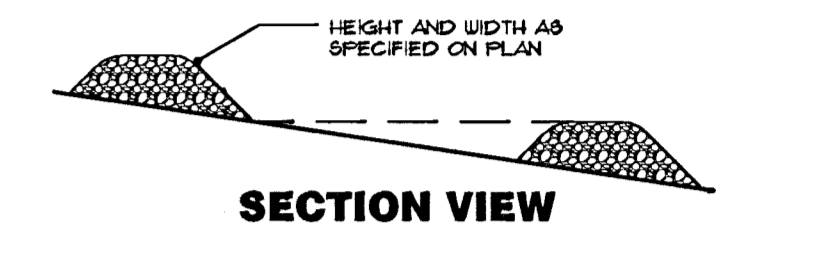
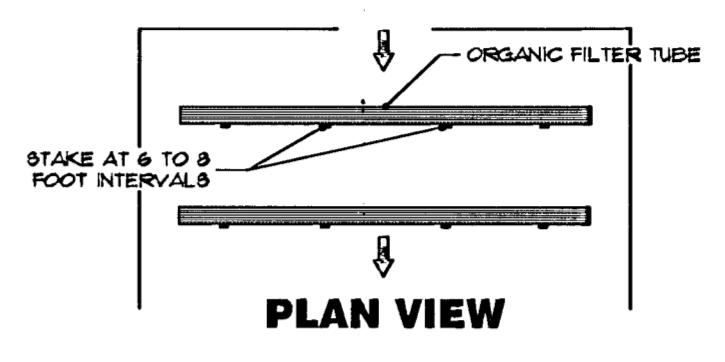
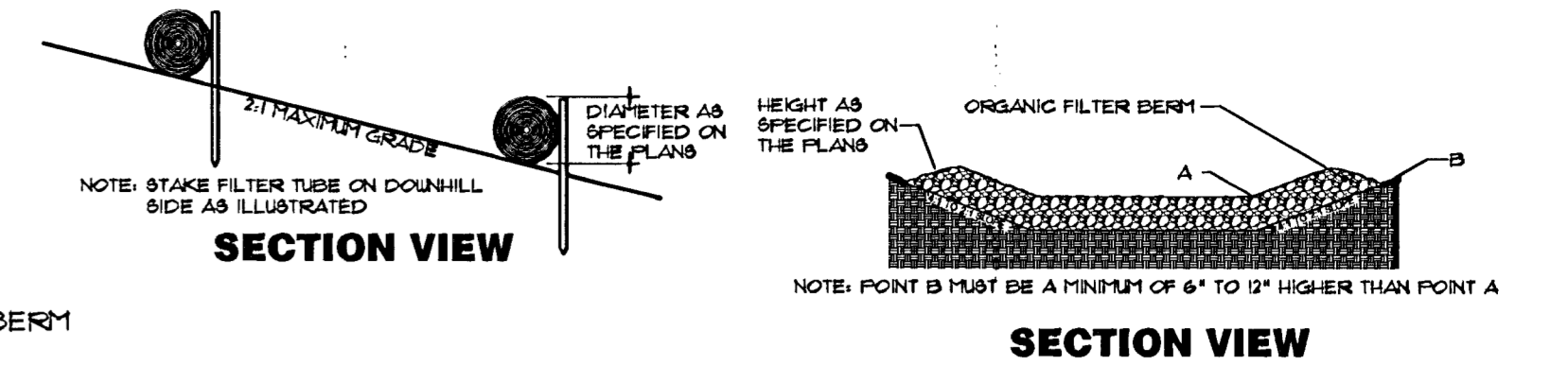


LEGEND

- EXISTING TREE ROW
- STRAW BALE DIKE OR ORGANIC FILTER BERM
- SILT FENCE OR ORGANIC FILTER TUBE
- CURB SEDIMENT TRAPS
- CURB INLET FILTER
- INLET FILTER
- TREE PROTECTION FENCE
- STREET STATIONS FOR AREAS OF EXCAVATION PLACEMENT
- ROAD AND LOT FILL AREAS
- STOCKPILE LOCATION FOR TOPSOIL

NOTES

1. CONTRACTOR SHALL LIMIT CONSTRUCTION TO AREAS OF CUT AND FILL. ALL OTHER AREAS SHALL BE AVOIDED TO PROTECT AND PRESERVE THEIR NATURAL CHARACTER. (I.E. NO CONSTRUCTION TRAFFIC, EQUIPMENT STORAGE, ETC.)
2. EROSION CONTROL IS TO MEET ALL FEDERAL, STATE, COUNTY & LOCAL CODE STANDARDS.
3. ALL AREAS DISTURBED (POND BANKS, BERMS, LOT & STREET FILLS, HALL ROADS) SHALL BE SEEDED AND FERTILIZED AS FOLLOWS:
ANNUAL RYE @ 250 LBS/ACRE
10-20-10 @ 350 LBS/ACRE
- THIS AREA SHALL BE FINE GRADED AND THE SURFACE SHALL BE FREE FROM STICKS, SMALL STONES, AND OTHER EXTRANEIOUS MATERIALS.
4. CONTRACTOR SHALL PROVIDE EROSION PROTECTION THROUGHOUT PROJECT CONSTRUCTION. THE PLAN PROVIDED HERE IS FOR FINAL PROTECTION, VARIOUS PHASES OF THIS PLAN SHALL BE IMPLEMENTED OR MODIFIED TO CONTROL EROSION. MODIFICATIONS OF THE PLAN SHALL BE APPROVED BY THE OWNERS REPRESENTATIVE.
5. SEEDING AREAS SHALL BE PREPARED FOR PLANTING WITH COMMON AGRICULTURAL TECHNIQUES (I.E. TILLING, DISKING, ETC.) THE GROUND SHALL BE WORKED TO A DEPTH OF 6"-8". IT SHALL THEN BE LEFT TO SETTLE, THEN CULTIVATED & SEEDDED. APPROVE WITH OWNER'S REPRESENTATIVE BEFORE PLANTING.
6. ALL SEED SHALL BE DISTRIBUTED WITH AN ACCEPTABLE DRILL INTENDED FOR SUCH OPERATIONS, OR OTHER EQUIPMENT APPROVED BY THE OWNER'S REPRESENTATIVE. SEEDING DEPTH SHALL BE 1/4".
7. ALL SEEDDED AREAS SHALL BE IMMEDIATELY MULCHED W/PRAIRIE HAY AT 2 TONS/ACRE. ANCHOR MULCH BY CRIMPING INTO TOPSOIL WITH SUITABLE MECHANICAL EQUIPMENT.
8. CONTRACTOR IS NOT TO SEED ROAD BED.



ORGANIC FILTER TUBES

ORGANIC FILTER TUBE NOTES:

- Drainage Area:**
1. Limit the drainage area to 0.25 acres per 100 lineal ft. of barrier. (i.e. an area 100 ft. wide behind 100 ft. of tube meets the criteria).
 2. Typically, Organic Filter Tubes can handle the same water flow or slightly more than silt fence.

- Tube Diameter:** Organic Filter Tube diameter should be a minimum of 10" to 12" or as specified on plans.
- C:** Place tubes on slopes less than 5% or at the bottom of steeper slopes, less than or equal to 2:1 up to 25 ft. long; on longer slopes, areas with greater flows or where maximum sediment control is desired, a larger diameter of tube should be used.
- D:** If a slope exceeds 4:1 gradient, it may be necessary to stake the tube at 6 ft. to 8 ft. intervals.
- E:** A sediment trench 1" to 2" deep may be constructed immediately upgrade of the Organic Filter Tubes.

Material Specifications: Chipped site vegetation, composted mulch, or wood-based mulch with particulate sizes of fine (1/4" to 1/2") and coarse grades of compost/mulch with no particulate sizes exceeding 3" in length. The mixture ratio should be or may include a greater fraction of coarser blend materials (1:2) (fine: coarse).

Minimum Tube Material Specifications:
8" diameter - 22 pillar, white; Weight (gm/ft): 4.1 grams Stretch width: 14-1/2 inches Coarse count: 40 Pillar spacing: 7/8 inch HDPE netting UV stabilizer Fade resistant color

Maintenance Requirements: Organic Filter Tubes should be inspected weekly and after major rain events to ensure that the device is functioning properly. Remove sediment from behind tube when the depth of the sediment has built up to one-third the height of the tube. If the tube has been smashed, simply place hands on either side of tube and "fluff up" to original size. If the tube fabric has ripped, cut off at tear and re-tie each side, place new tube (patch) overlapping existing tube 3 ft. both ways.

ORGANIC CHECK DAM (FILTER BERM)

ORGANIC FILTER BERM NOTES:

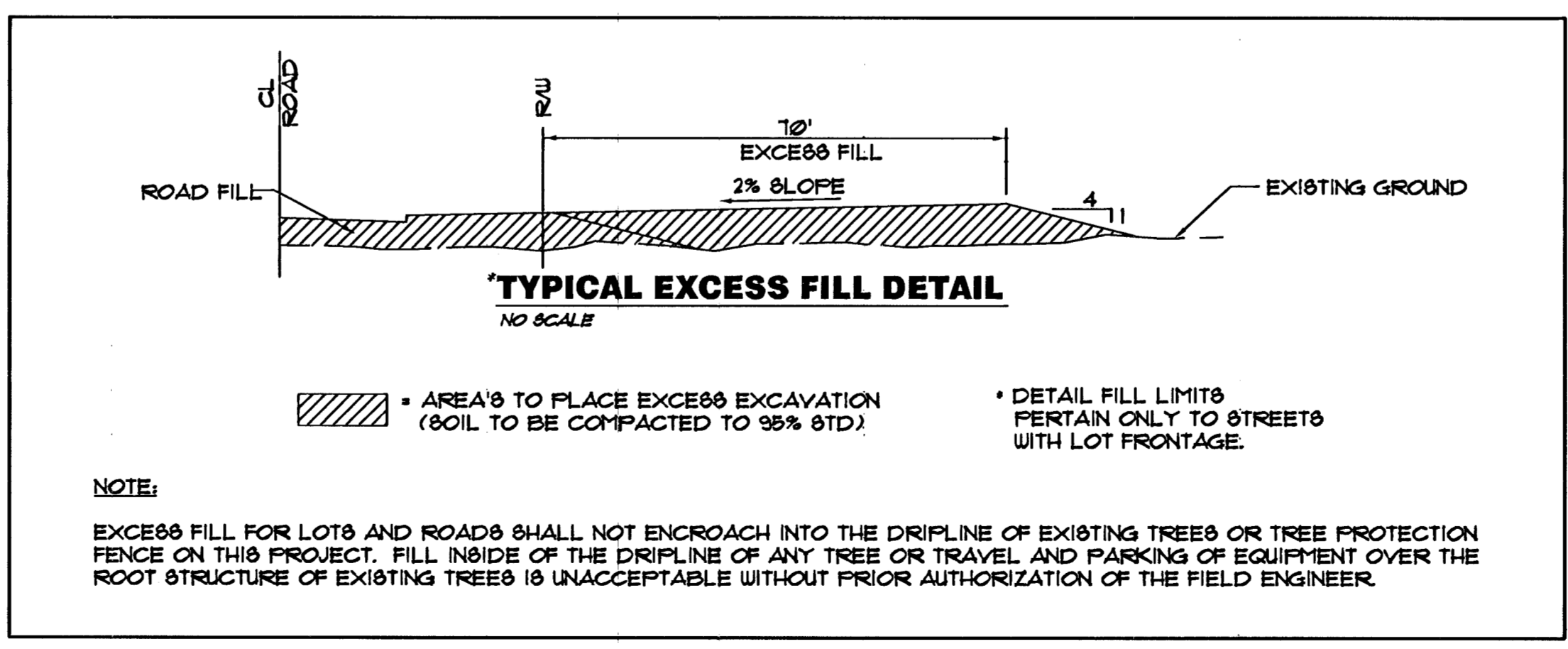
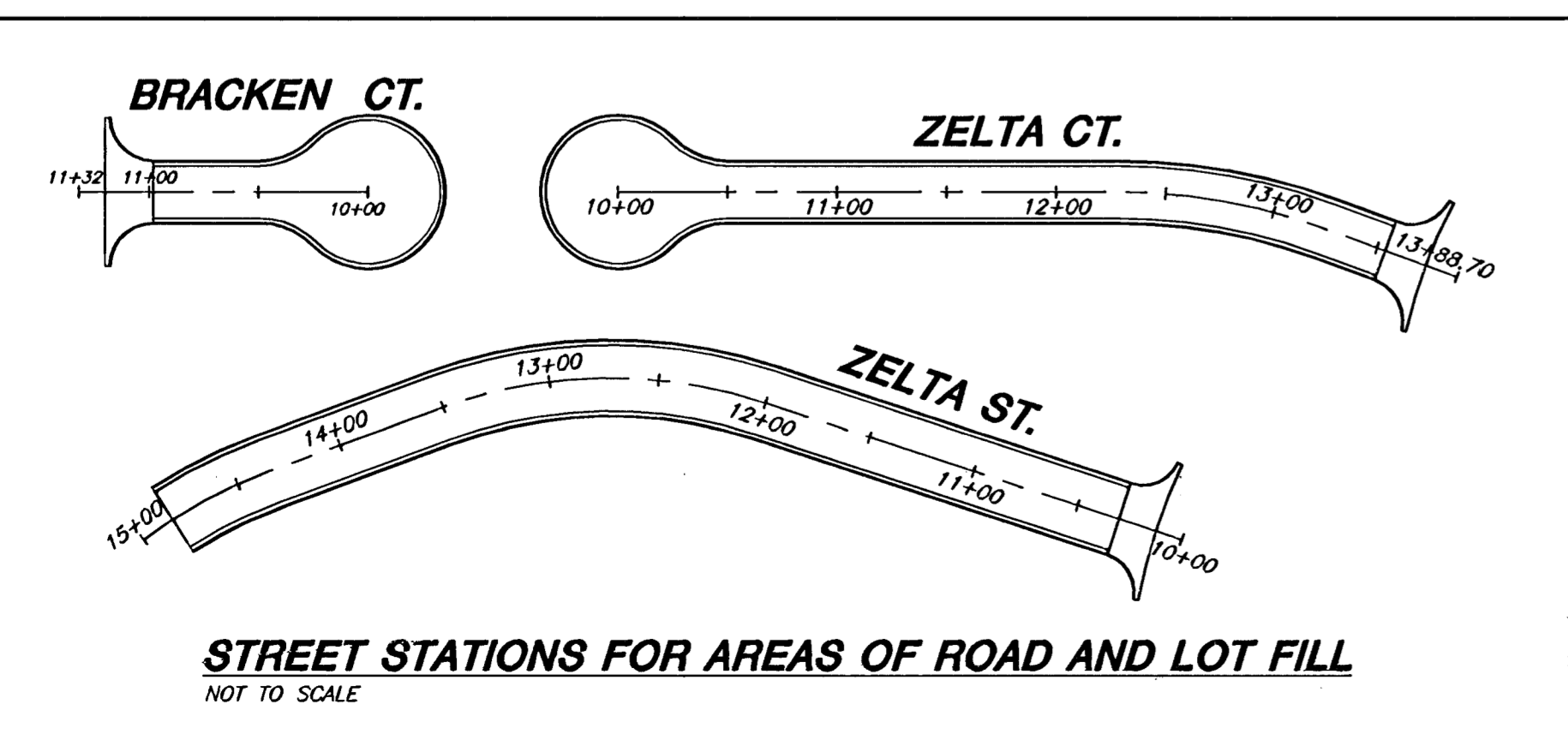
- Drainage Area:**
1. Limit the drainage area to 0.25 acres per 100 lineal ft. of barrier (i.e. an area 100 ft. wide behind 100 ft. of berm meets the criteria).
 2. Typically, berms can handle the same water flow or slightly more than silt fence.

Height: 1 ft (minimum) to 3 ft (maximum) or as specified on plans.

Width: 2 ft (minimum) to 5 ft (maximum) or as specified on plans. Place berm on slopes less than 5% or at the bottom of steeper slopes, less than or equal to 3:1 up to 20 ft. long. On longer or steeper slopes, the berm should be larger in both height and width to accommodate the higher flow rate.

Material Specifications: Chipped site vegetation, composted mulch, or wood-based mulch with particulate sizes of fine (1/4" to 1/2") and coarse grades of compost/mulch with no particulate sizes exceeding 3-1/2" in length. The mixture ratio should be or may include a greater fraction of coarser blend materials (1:2) (fine: coarse).

Maintenance Requirements: Organic Filter Berms should be inspected weekly and after major rain events to ensure that the device is functioning properly. Remove sediment from behind tube when the depth of the sediment has built up to one-third the height of the berm by raking. Contractor shall immediately correct all deficiencies, rebuilding berm, if necessary, in accordance with the original specifications.



H:\CIVIL\95058\02172\Drawings\SWS\Zelta\02172er.dwg 03/15/2003 10:15:00 AM CST



**WOODLAND LAKES ESTATES
THIRD ADDITION - ZELTA PHASE**
PROJECT NAME

EROSION CONTROL & SEEDING
SHEET TITLE

DMU	DMU	JAG
DESIGNED BY:	DRAWN BY:	CHECKED BY:
JULY 2003	02172ER	20 / 32
DATE	DRAWING NAME	SHEET / OF