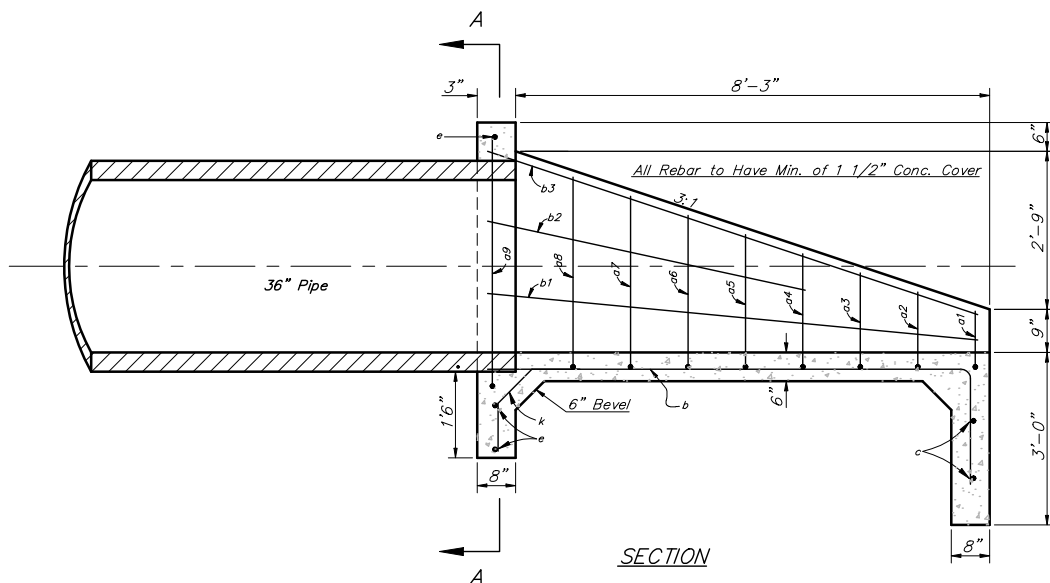
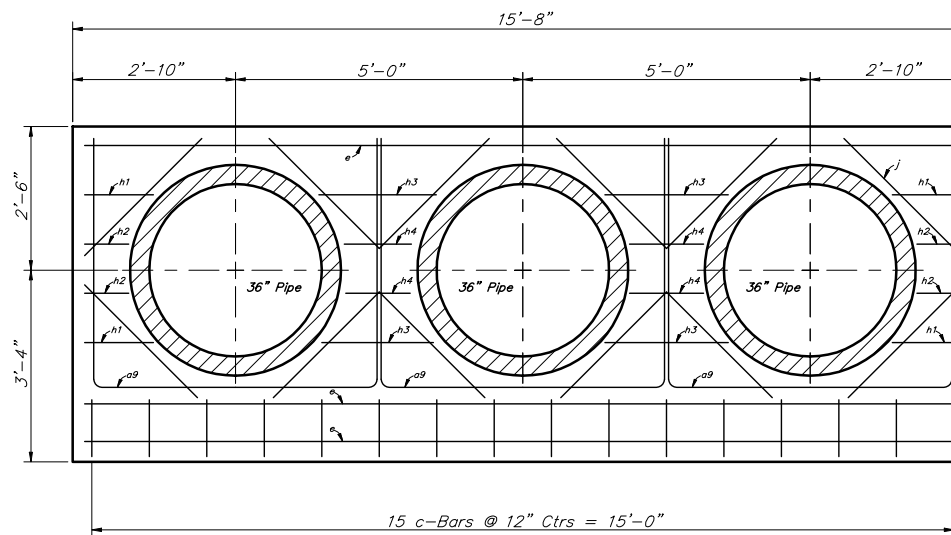
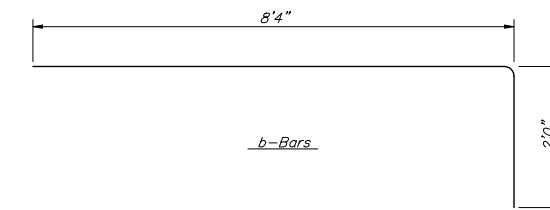
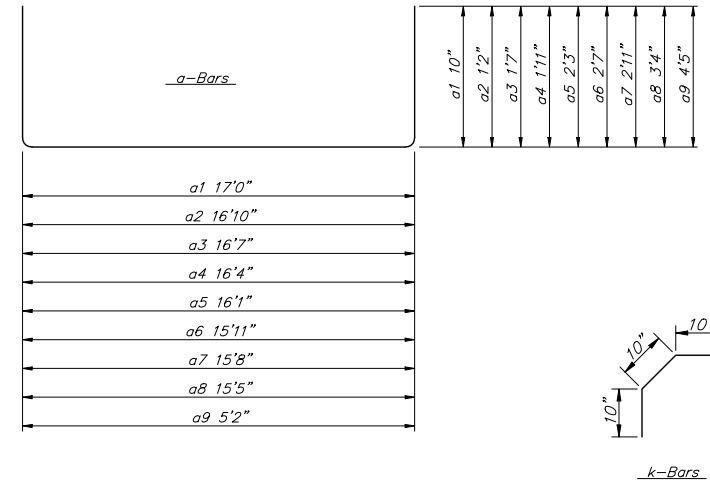


PLAN



SECTION



SECTION A-A

REBAR SCHEDULE

Bar	Shape	No.	Length	Weight
a1	□	1	17'10"	11.91
a2	□	1	19'2"	12.80
a3	□	1	19'9"	13.19
a4	□	1	20'2"	13.47
a5	□	1	20'7"	13.75
a6	□	1	21'1"	14.08
a7	□	1	21'9"	14.53
a8	□	1	22'1"	14.75
a9	□	3	14'0"	9.35
b	□	15	10'4"	103.54
c	□	2	17'0"	22.72
d	□	2	9'0"	12.02
e	□	3	15'3"	56.11
f	□	4	1'3"	3.34
g	□	2	4'7"	6.12
h1	□	4	1'6"	4.01
h2	□	4	1'0"	2.23
h3	□	4	2'0"	5.34
h4	□	4	1'2"	3.12
j	□	12	2'10"	22.71
k	□	15	2'6"	25.05
Total Rebar			384.14	Lbs.
Concrete			6.3	C.Y.

\*\*Quantities are for information only.  
A Deduction in Concrete Quantities Has Been Made  
for Pipe Openings Through the Headwall  
Field Bend or Cut Reinforcing as Required for Clearance.  
All Concrete Reinforcement to be #4 Rebar

GENERAL NOTES

- ALL PIPES SHALL BE FLUSH CUT PRIOR TO BEING CAST INTO CONCRETE HEADWALL.
- CONCRETE USED IN HEADWALL CONSTRUCTION SHALL BE SAME AS PER CITY STANDARD PAVING MIX EXCEPT THAT IT SHALL HAVE A MINIMUM 28 DAY COMPRESSIVE STRENGTH OF 4000 PSI.
- ALL EXPOSED EDGES SHALL BE BEVELED 1/2".
- REINFORCING STEEL SHALL COMPLY TO A.S.T.M. DESIGNATION A615 GRADE 60. ALL DIMENSIONS RELATIVE TO REINFORCING STEEL ARE TO CENTERLINE OF BAR UNLESS OTHERWISE NOTED.
- THE "42" REIN. CONC. HEADWALL" SHALL BE PAID FOR AT THE UNIT PRICE BID PER EACH IN PLACE WHICH SHALL INCLUDE ALL LABOR, MATERIALS, EXCAVATION, CONCRETE, REINFORCING STEEL AND ALL OTHER INCIDENTAL ITEMS NECESSARY TO COMPLETE THE WORK. MATERIAL QUANTITIES SHOWN ARE FOR INFORMATION ONLY.

	City of Wichita, Kansas	
	<b>36" Special Headwall Detail</b>	
<small>Baughman Company, P.A. 315 8th St. Wichita, KS 67211 P 3162627271 F 3162620149 ENGINEERING   SURVEYING   PLANNING   LANDSCAPE ARCHITECTURE</small>		
PROJECT NUMBER 468-64234	DESIGN C.O.W.	DRAWN Staff
REVISIONS:	APPROVED	DATE
	SCALE None	SHEET
		<b>34 OF 48</b>