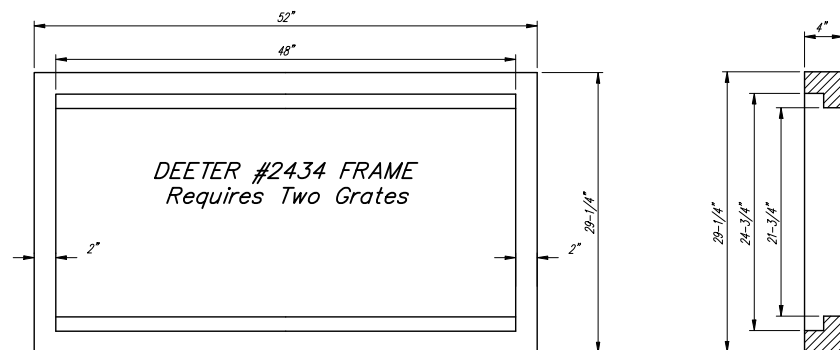


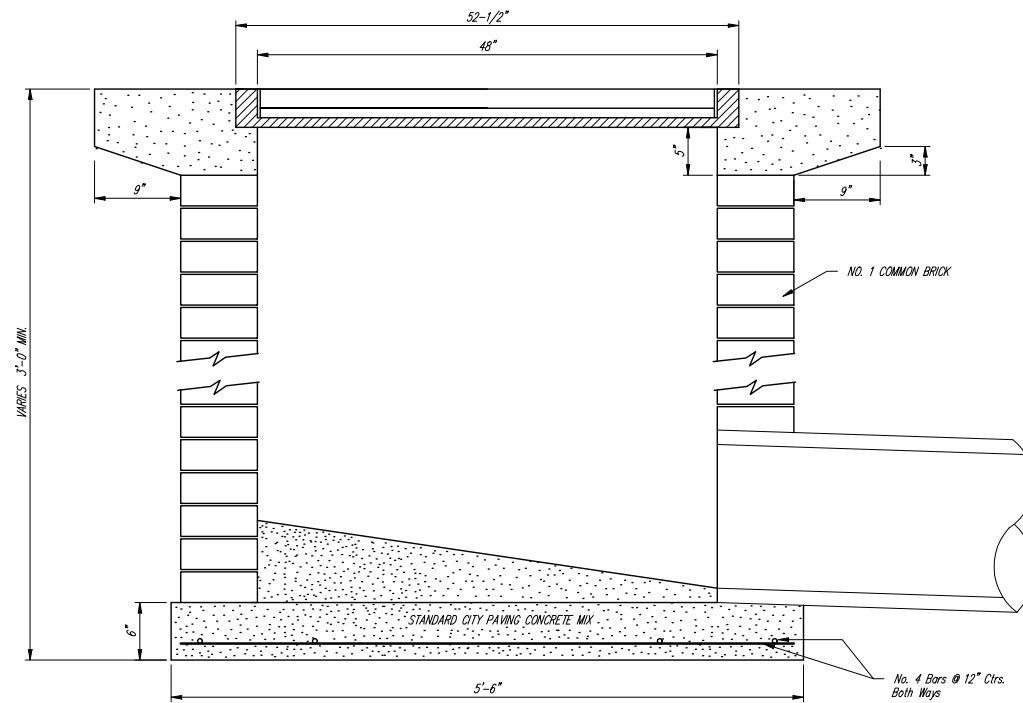
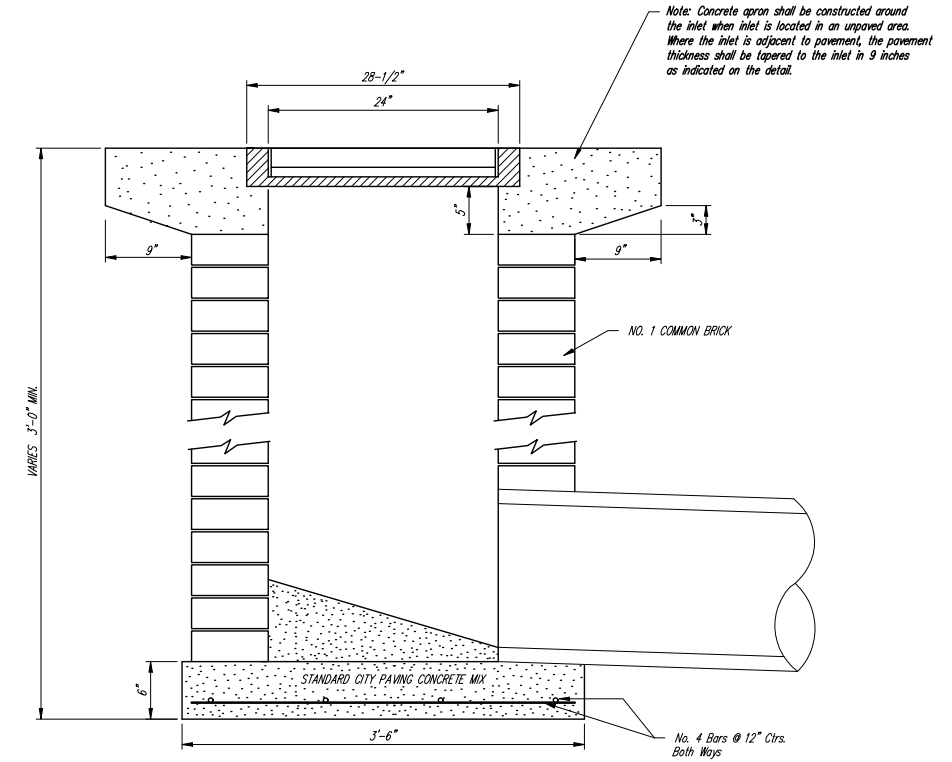
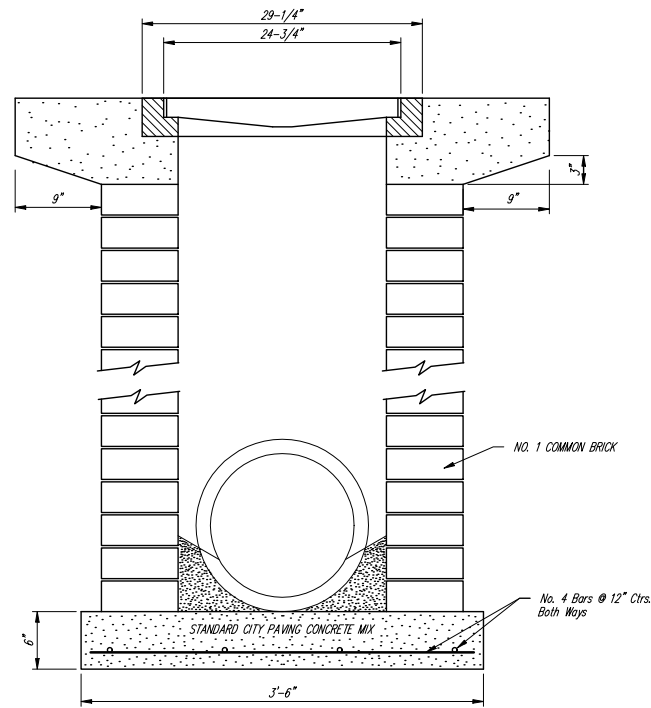
DEETER #2433 GRATE

24" x 24" Frame and Grate Detail

NOTE: Grates shall be imprinted on the top surface with "CITY OF WICHITA" using letters at least 1" in height. Other marking methods may be approved by the engineer.



Double 24" x 24" Frame Detail



| | | |
|--|--------------------------|-----------------|
| | City of Wichita Standard | |
| | Drop Inlet Detail | |
| Baughman Company, P.A. 315 8th St. Wichita, KS 67211 P 316-262-7271 F 316-262-0149 | | |
| ENGINEERING SURVEYING PLANNING LANDSCAPE ARCHITECTURE | | |
| PROJECT NUMBER 468-64254 | DESIGN C.O.W. | DRAWN Staff |
| REVISIONS: | APPROVED | DATE 8/05 |
| | SCALE None | |
| | SHEET | 35 OF 48 |