

**SWD #318 - RCB**  
**KRUG SOUTH ADDITION**

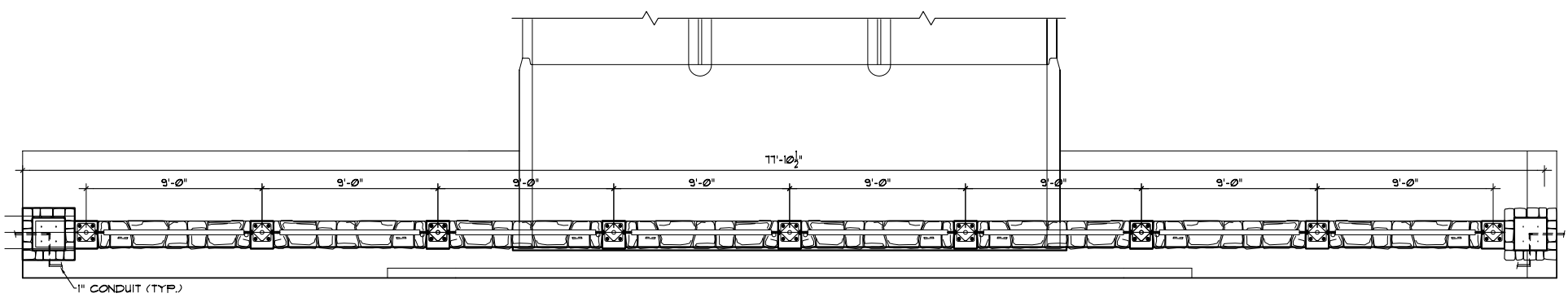
**ARCHITECTURAL  
HEADWALL PLAN,  
ELEVATION,  
& DETAILS**  
SHEET TITLE  
468-84323  
PROJECT NUMBER

MLP  
DESIGN BY  
MLP  
DRAWN BY  
GJA  
CHECKED BY

ISSUED  
April 2007  
REVISED

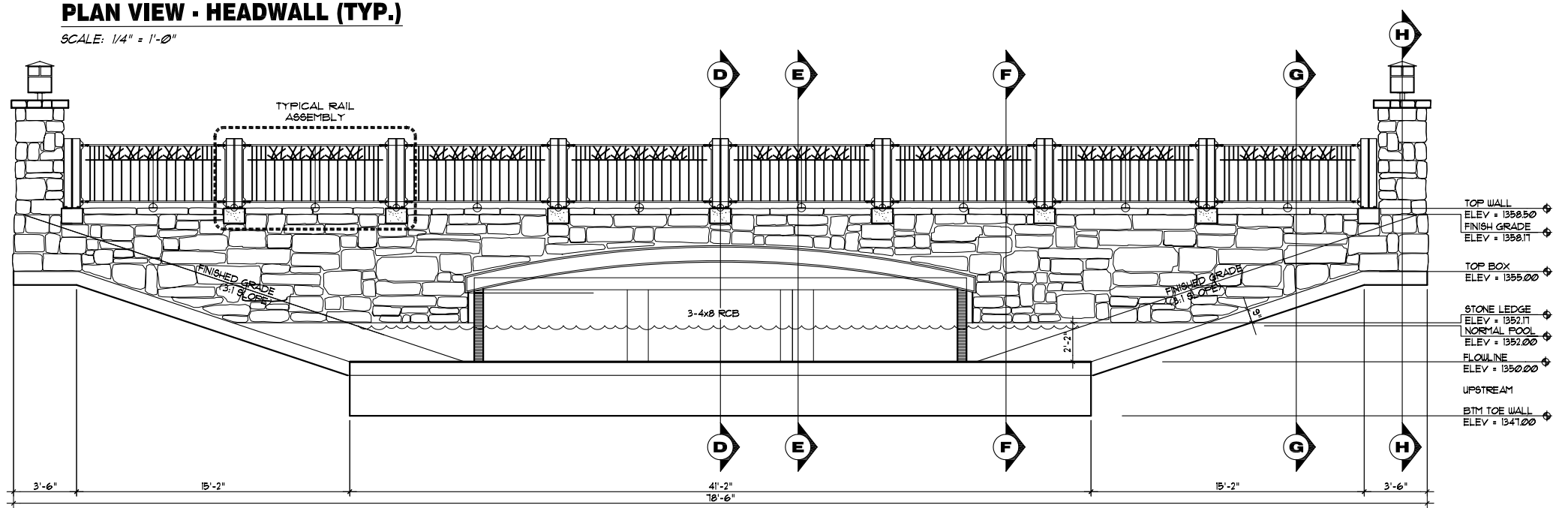
SHEET NO.  
6 of 16

J:\CIVIL\_05291.DWG RCB\_05291\_05.DWG



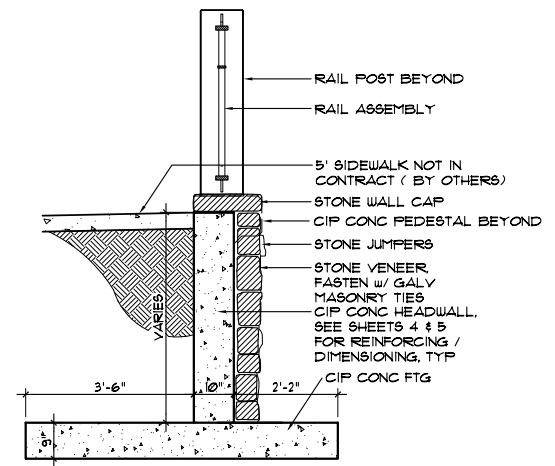
**PLAN VIEW - HEADWALL (TYP.)**

SCALE: 1/4" = 1'-0"



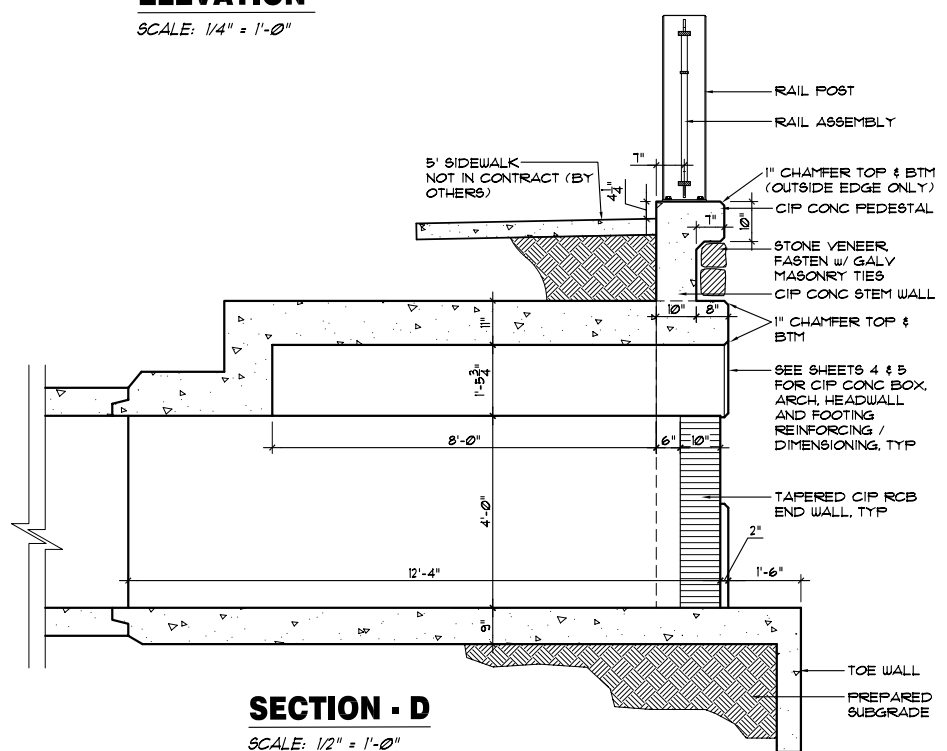
**ELEVATION**

SCALE: 1/4" = 1'-0"



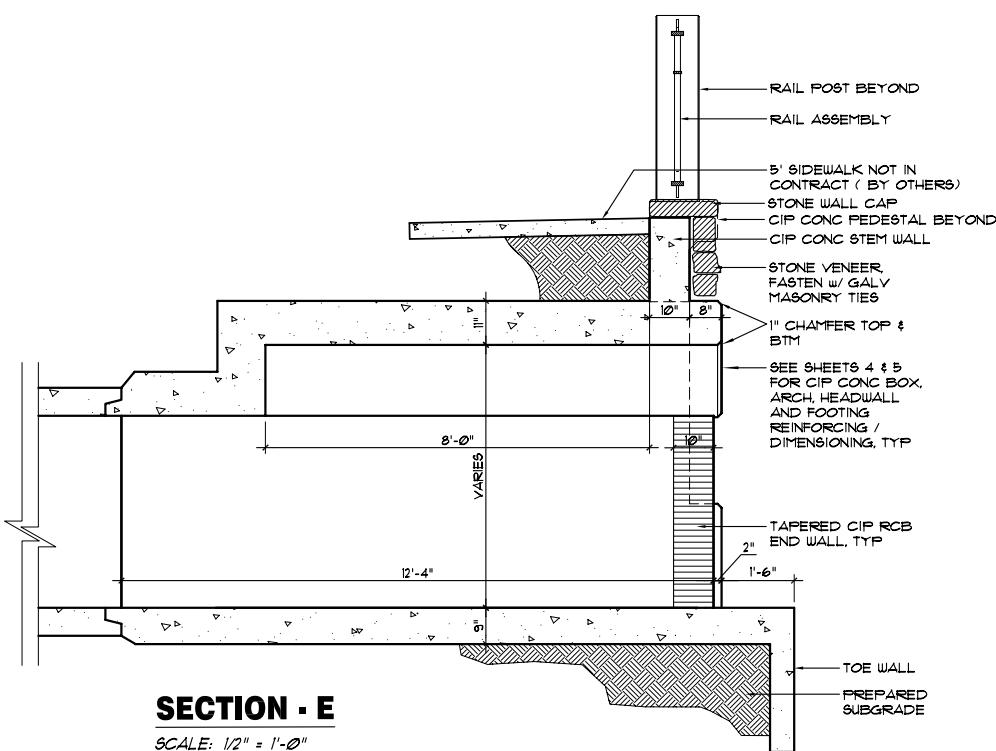
**SECTION - G**

SCALE: 1/2" = 1'-0"



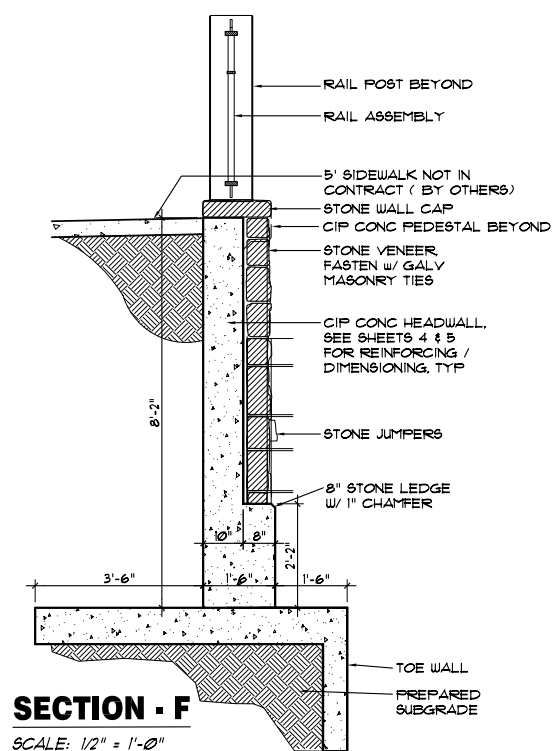
**SECTION - D**

SCALE: 1/2" = 1'-0"



**SECTION - E**

SCALE: 1/2" = 1'-0"



**SECTION - F**

SCALE: 1/2" = 1'-0"

PLOTTER: Tuesday, April 10, 2007 9:04:39AM