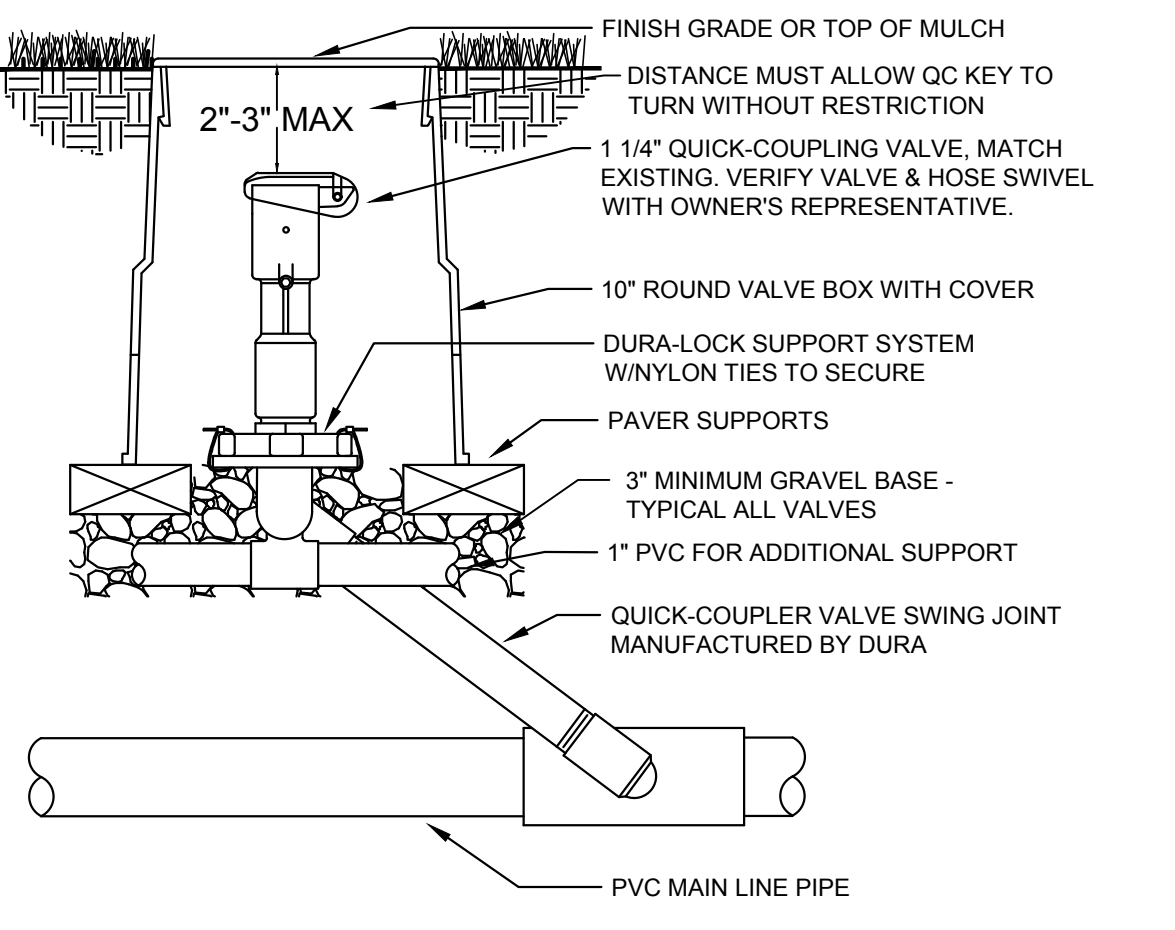
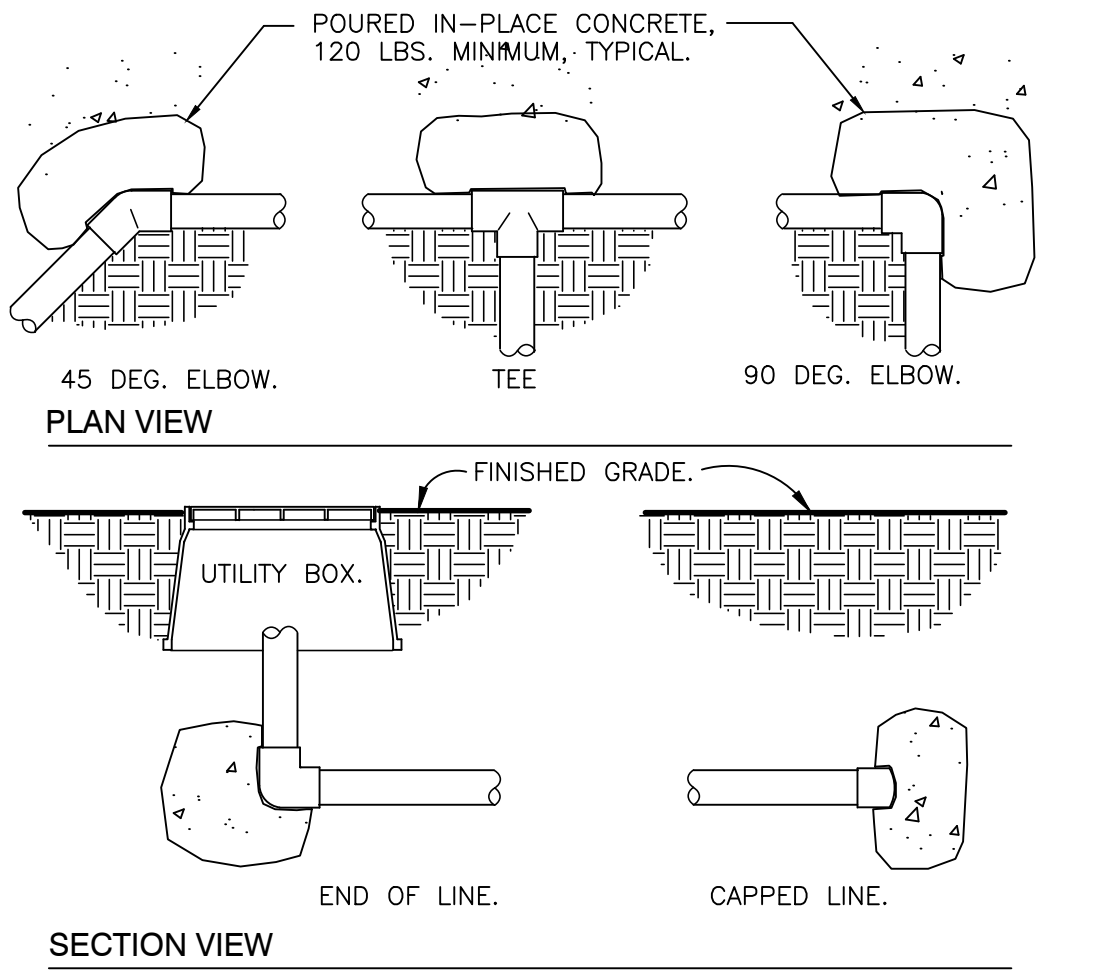


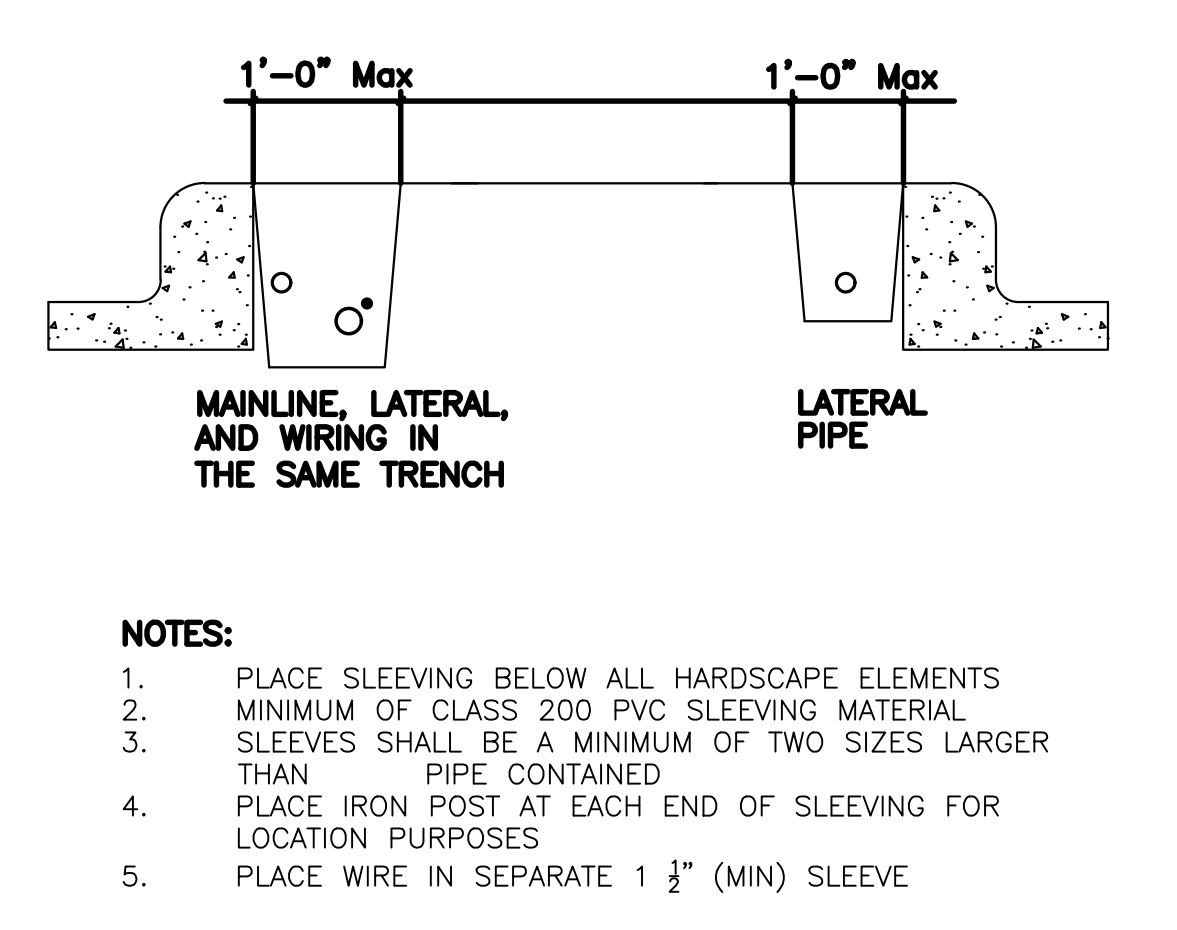
**1** CONTROLLER - ENCLOSURE MOUNT  
1" = 1'-0"  
328409.13-10



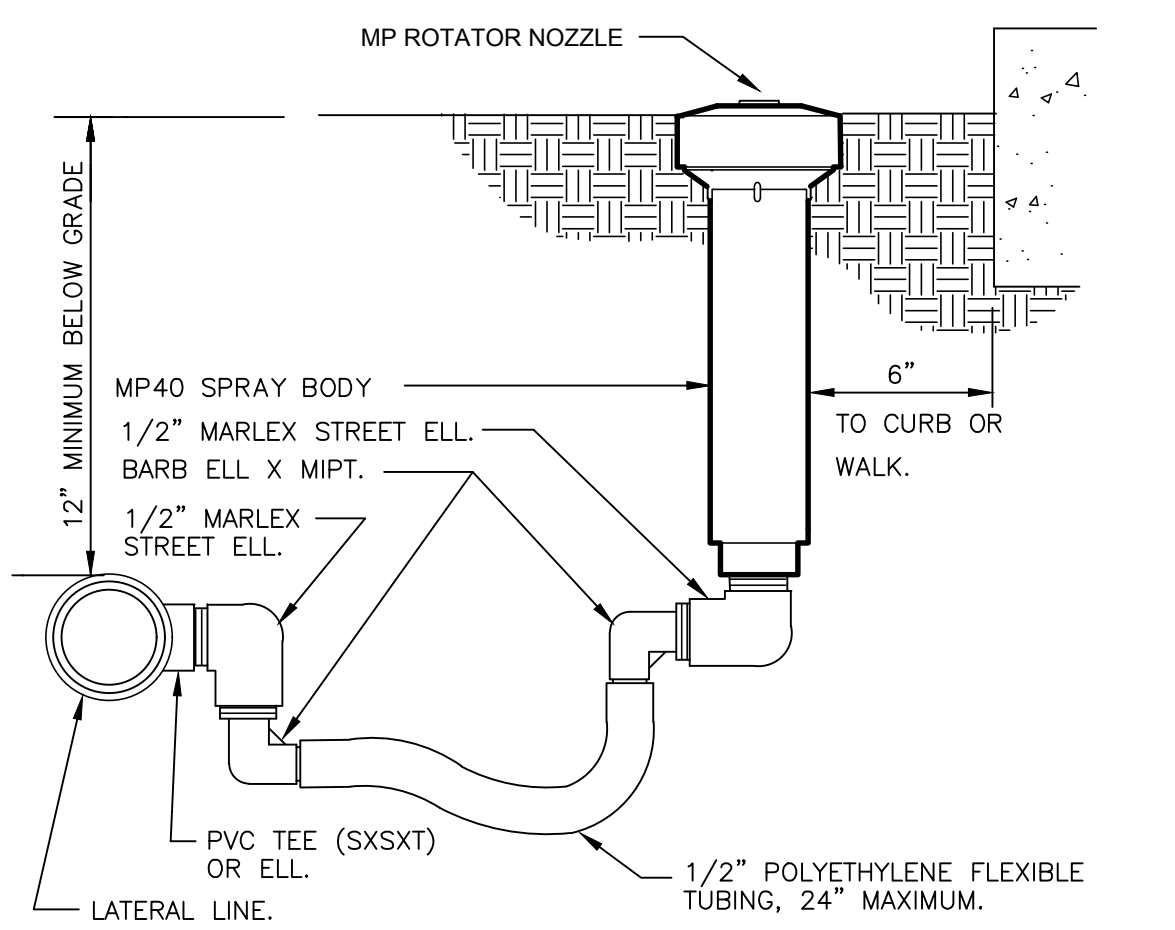
**2** QUICK COUPLER ON DURA SWING JOINT  
3" = 1'-0"  
328406.43-10



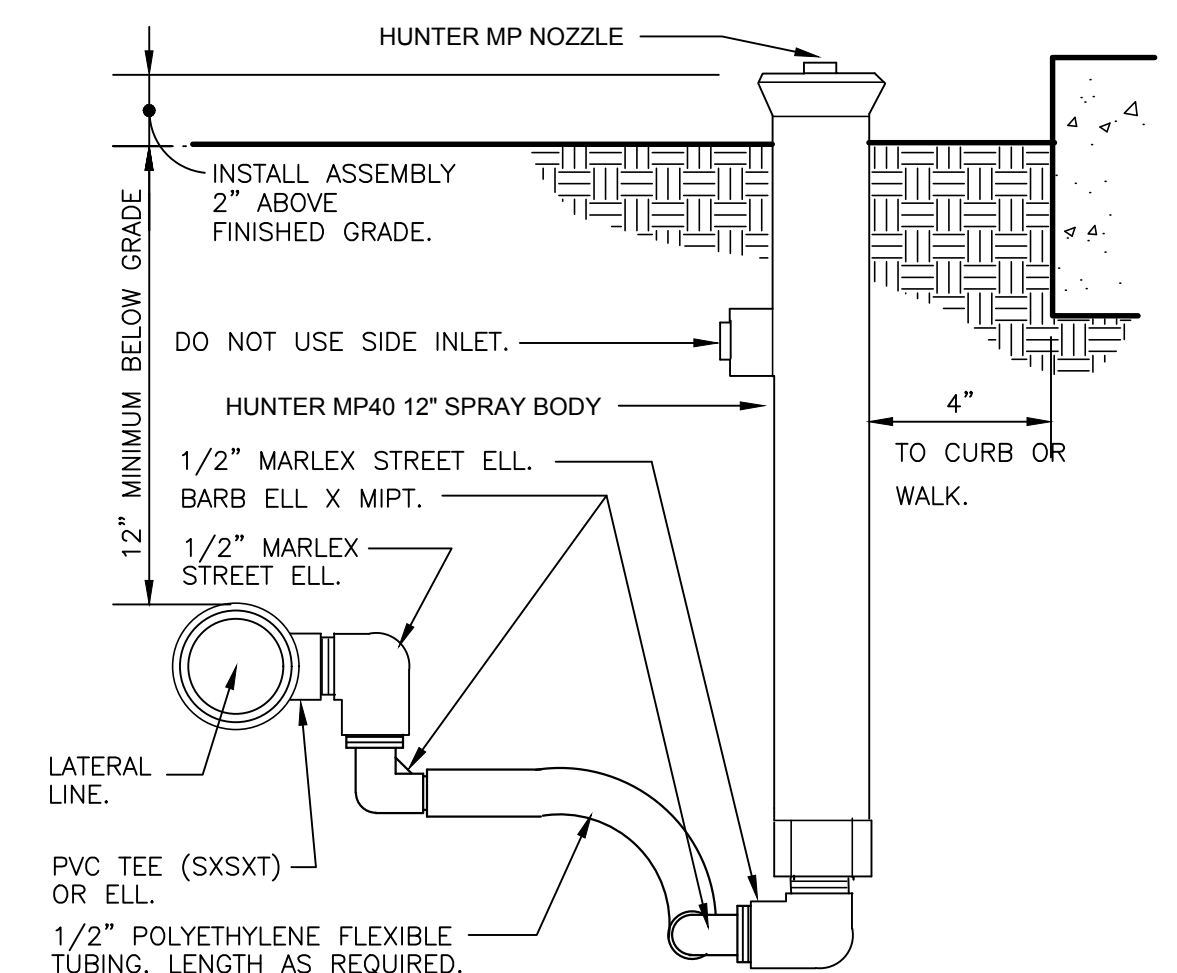
**3** THRUST BLOCKING  
3/4" = 12"  
328409.76-01



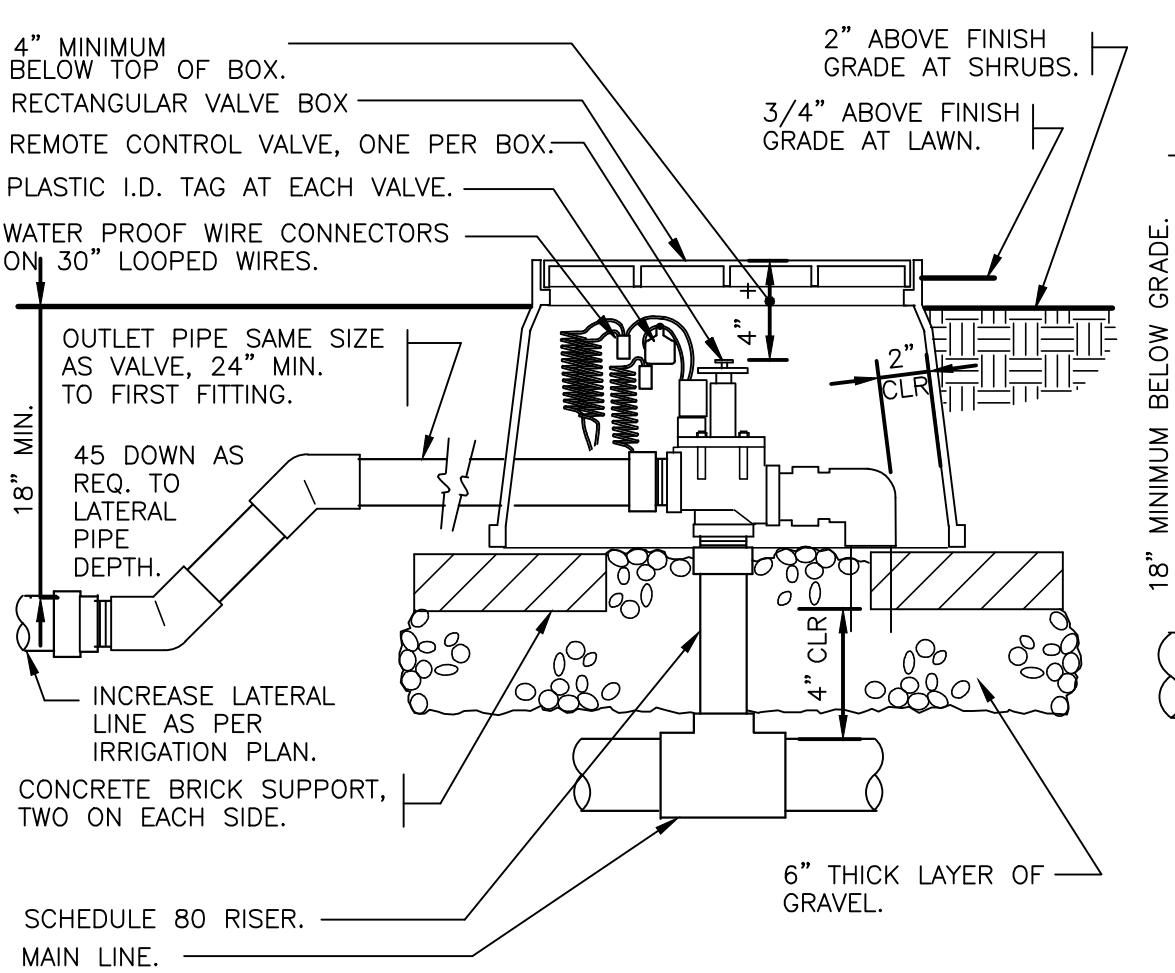
**4** PIPE PLACEMENT @ BLVD'S  
1/4" = 1'-0"  
328409.76-06



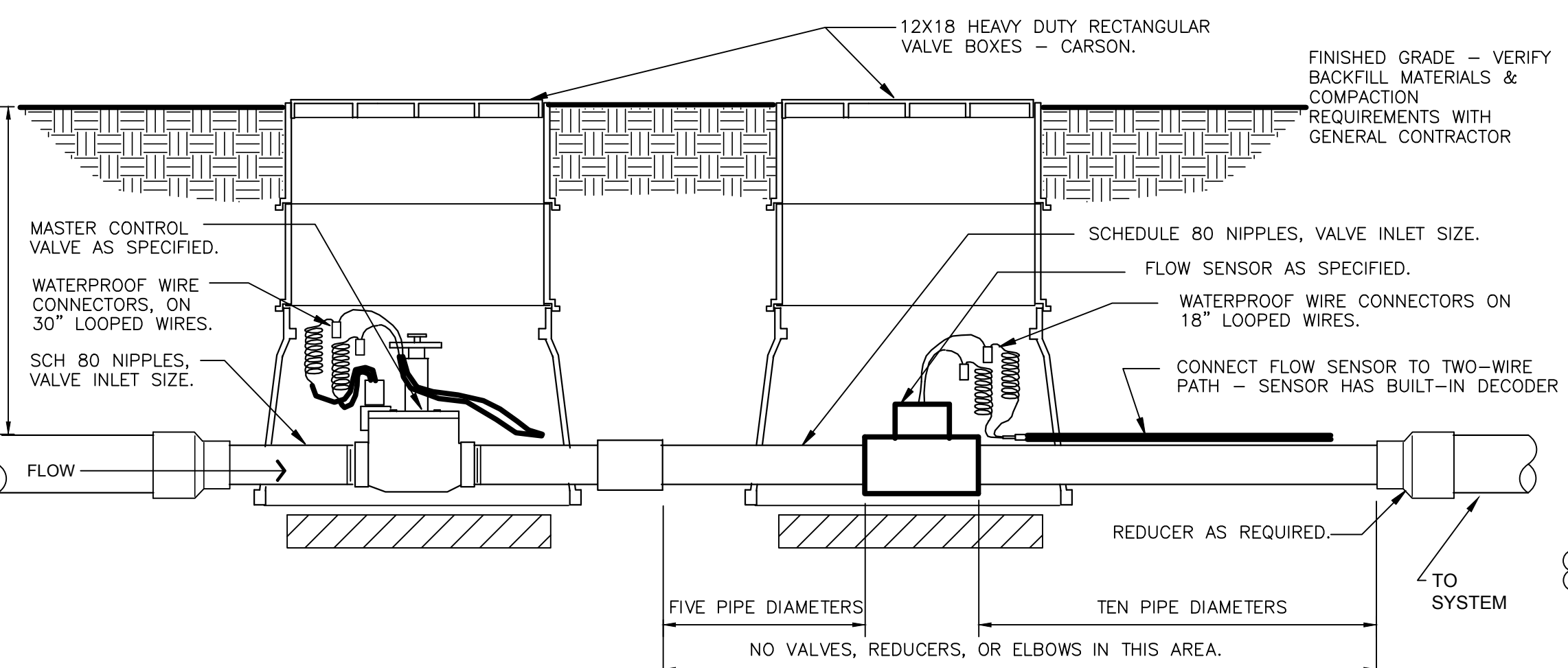
**5** MP40 TURF ROTARY - FLEX PIPE  
3" = 1'-0"  
328403.13-06



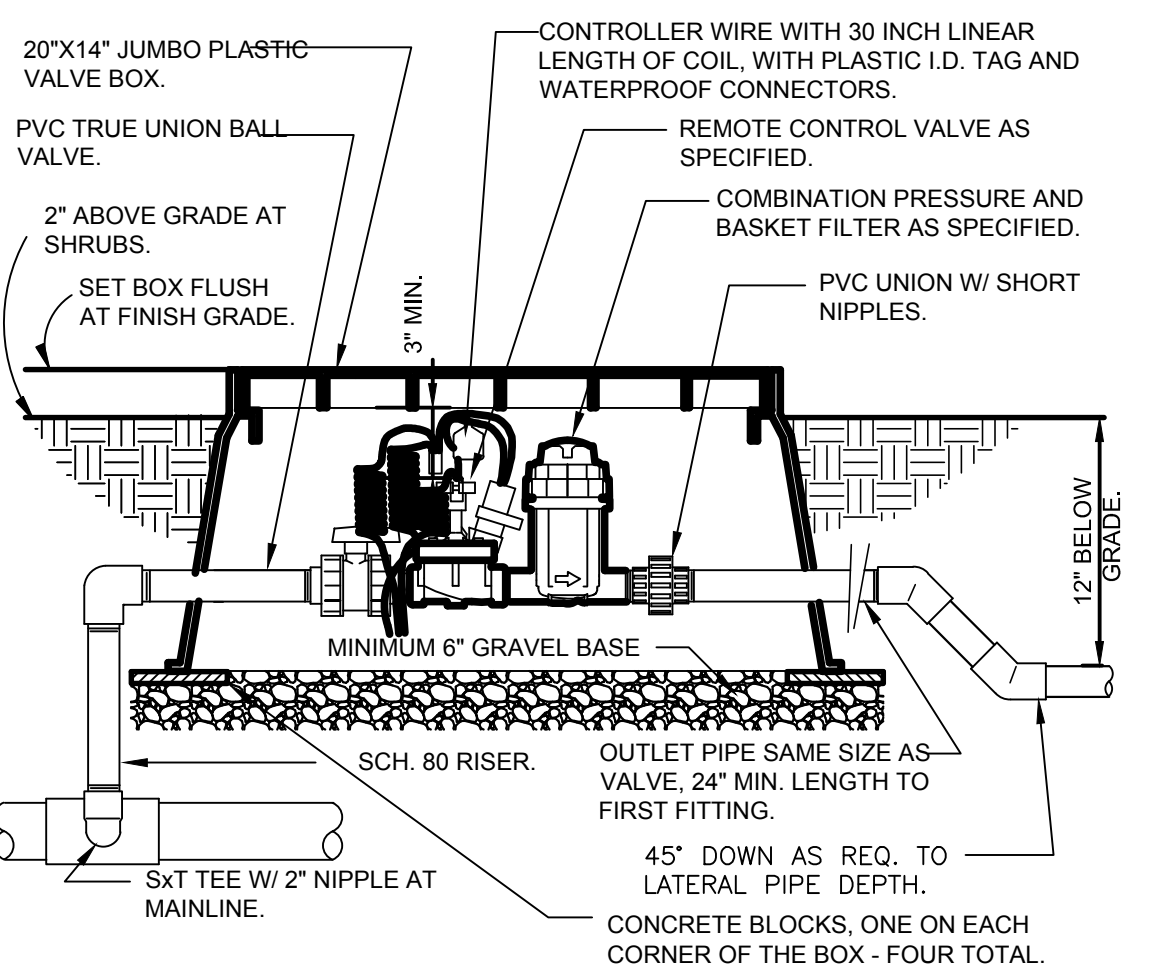
**6** MP40 12" HIGH-POP SPRAY ROTARY  
3" = 1'-0"  
328403.29-21



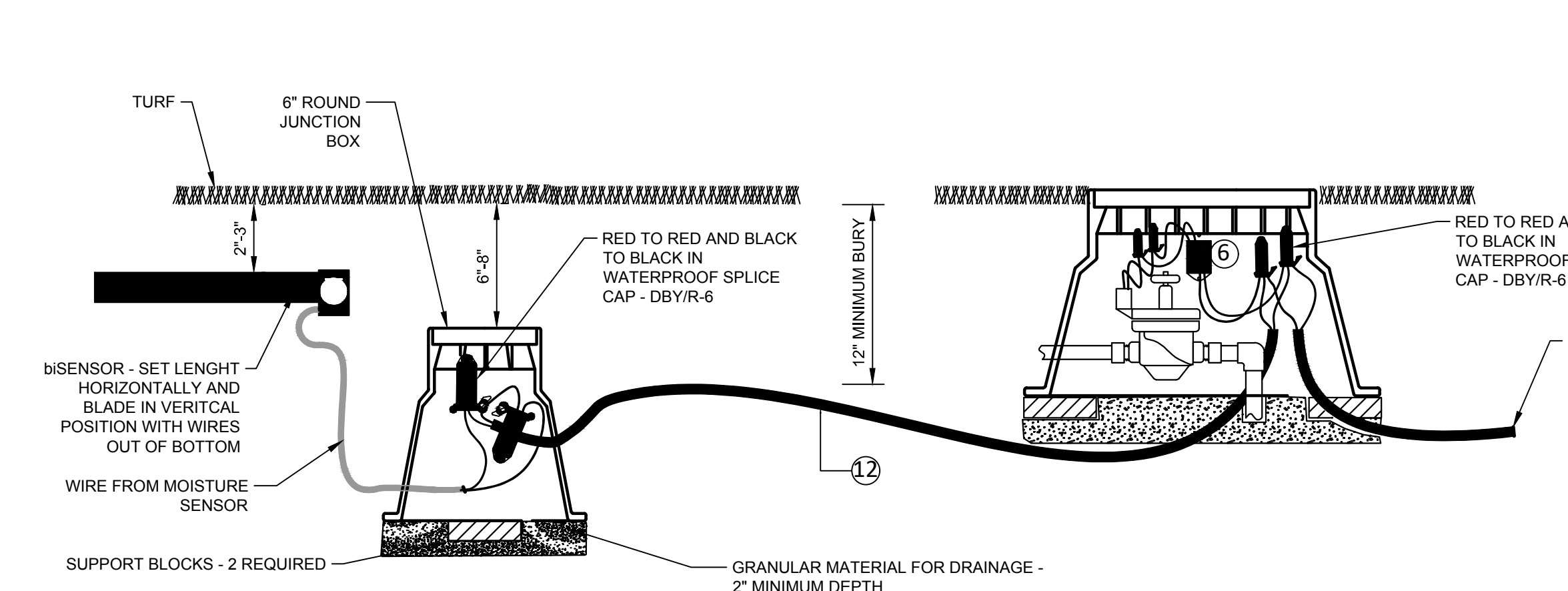
**7** ELECTRIC REMOTE CONTROL VALVE  
1 1/2" = 1'-0"  
328406.13-01



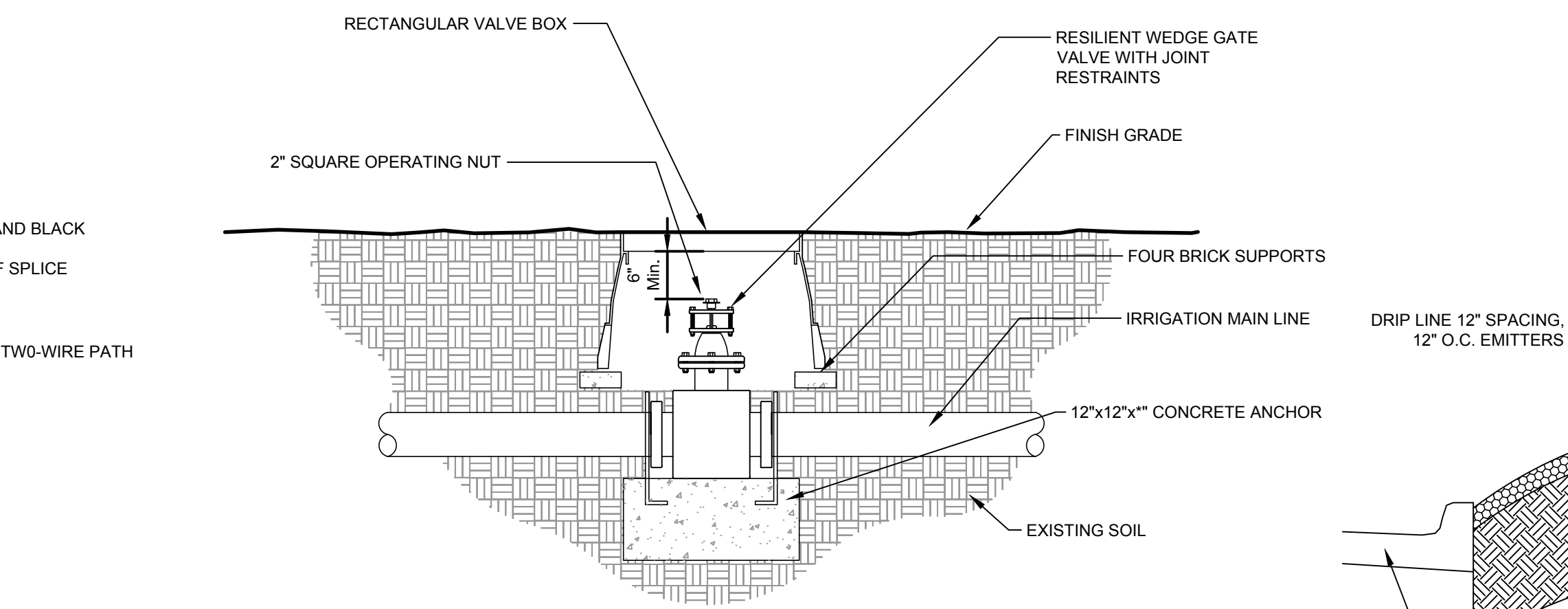
**8** MASTER VALVE & BASELINE FLOW SENSOR ASSEMBLY  
1 1/2" = 1'-0"  
328406.23-18



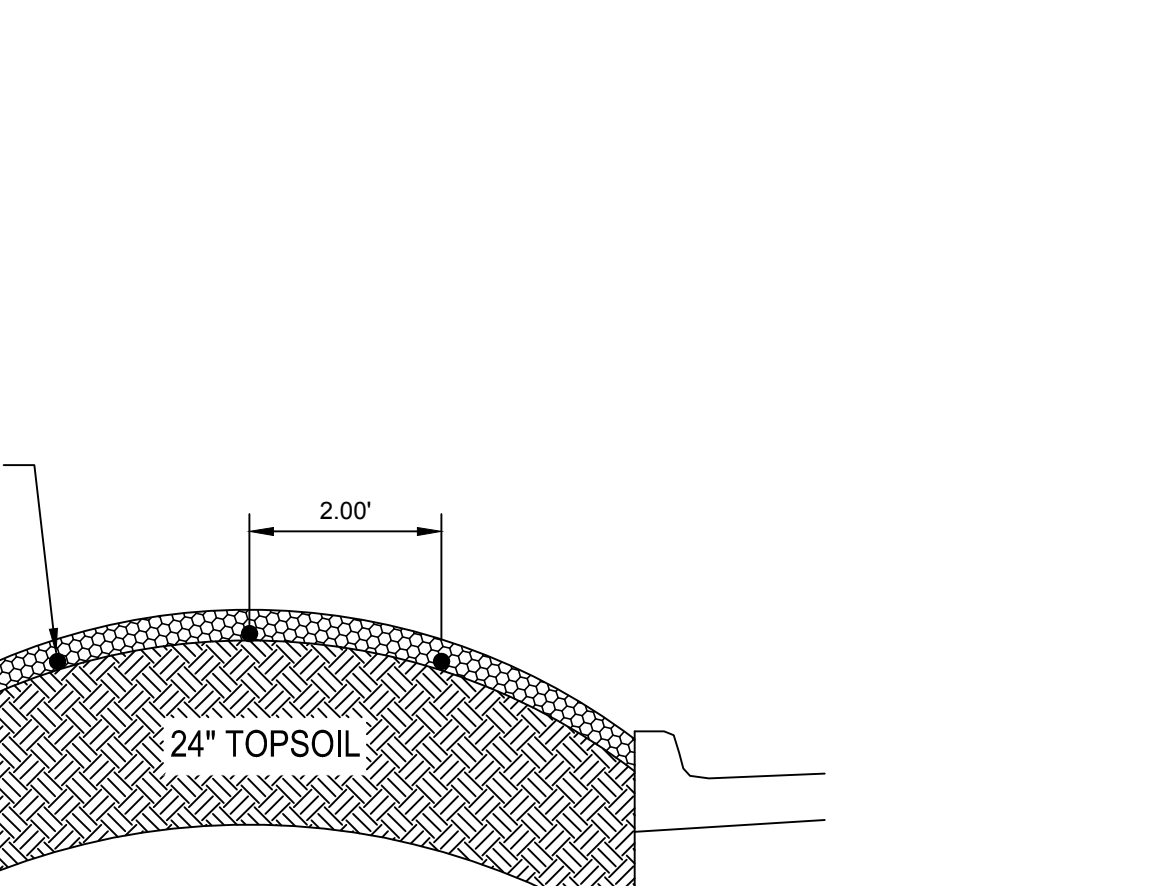
**9** 1" DRIP VALVE W/ PR BASKET FILTER  
1 1/2" = 1'-0"  
328413.76-30



**10** BASELINE SOIL MOISTURE SENSOR  
1 1/2" = 1'-0"  
328409.66-07



**11** GATE VALVE AND ANCHOR  
1" = 1'-0"  
328409.66-07



**12** DRIP LINE @ MEDIANS  
NOT TO SCALE  
32 8413.56-12

©2019 MKEC Engineering All Rights Reserved www.mkec.com  
These drawings and their contents, including, but not limited to, all concepts, designs, & ideas are the exclusive property of MKEC Engineering (MKEC), and may not be used or reproduced in any way without the express consent of MKEC.

**IRRIGATION DETAILS**

PROJECT NO.	1701010143	
DATE	MAY 2019	
SCALE	AS SHOWN	
DESIGNED	DRAWN	CHECKED
JWR	JCM	JWR
NO.	REVISION	DATE
SHEET NO.	15 OF 16	