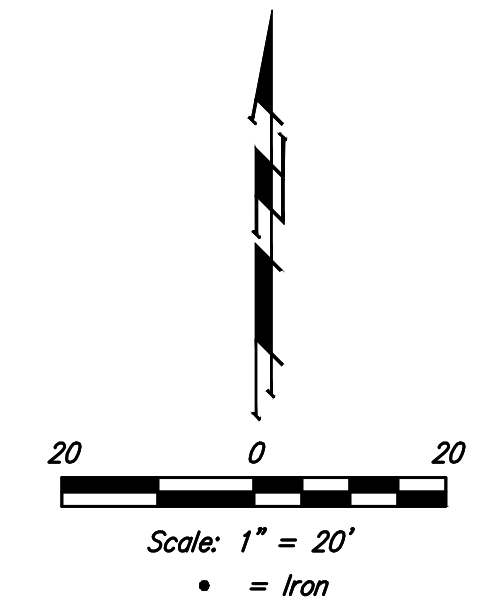
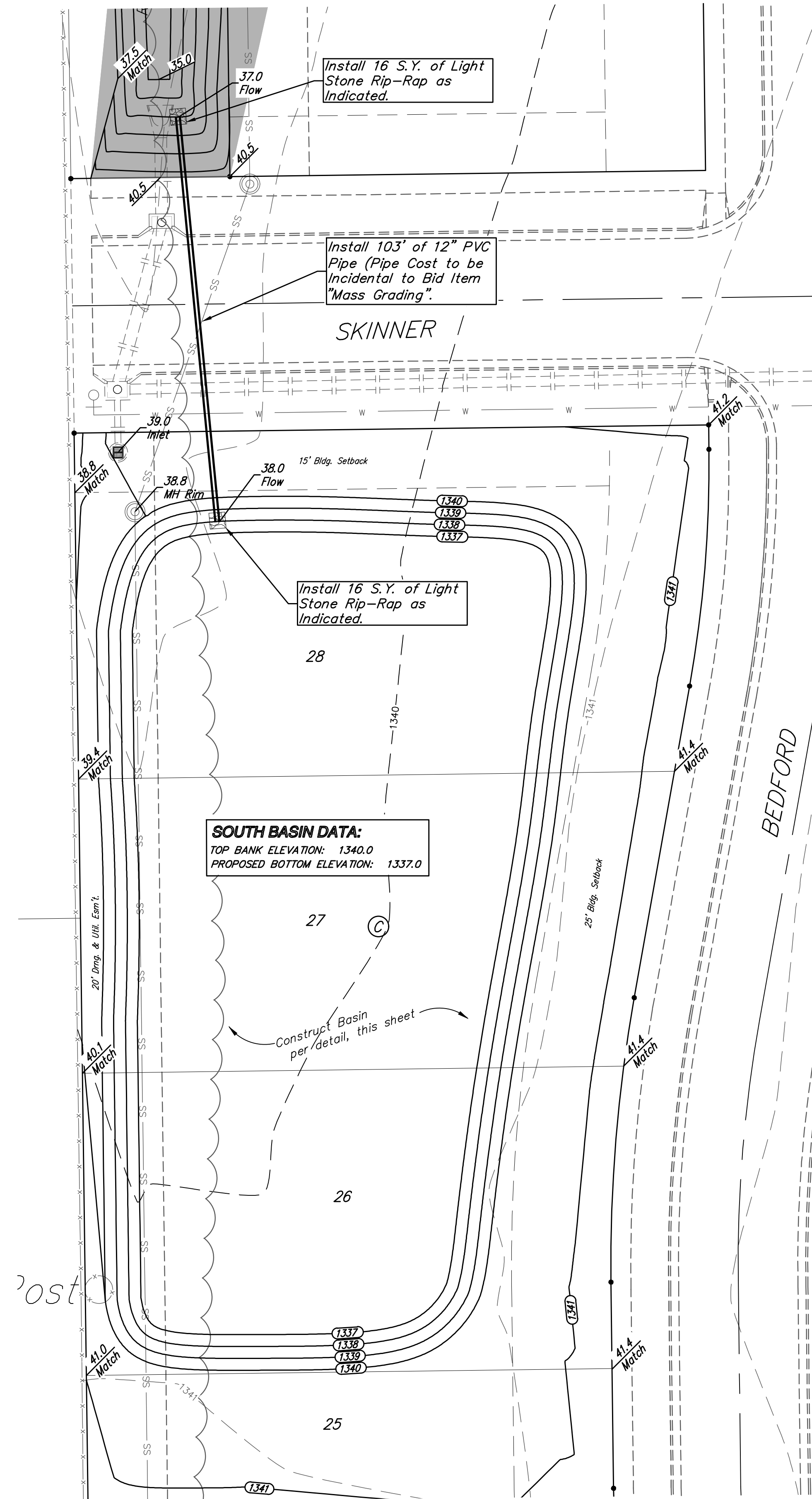


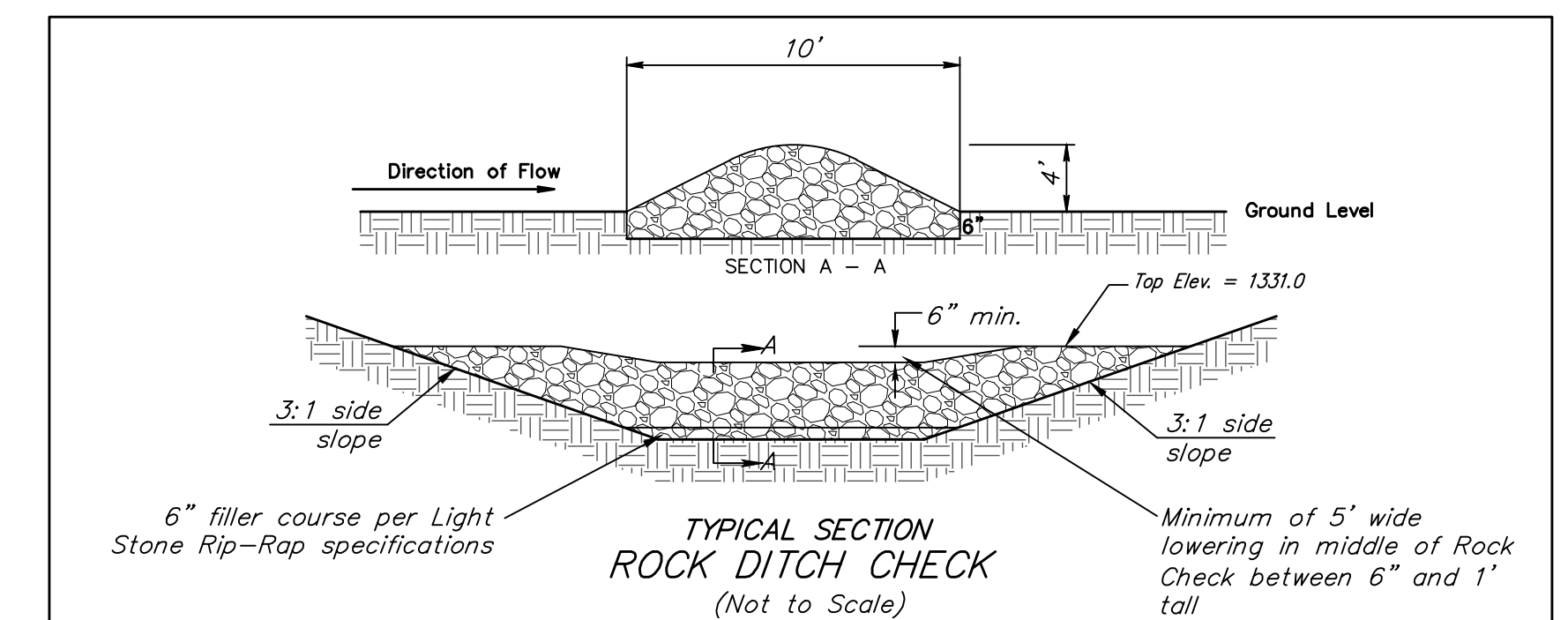
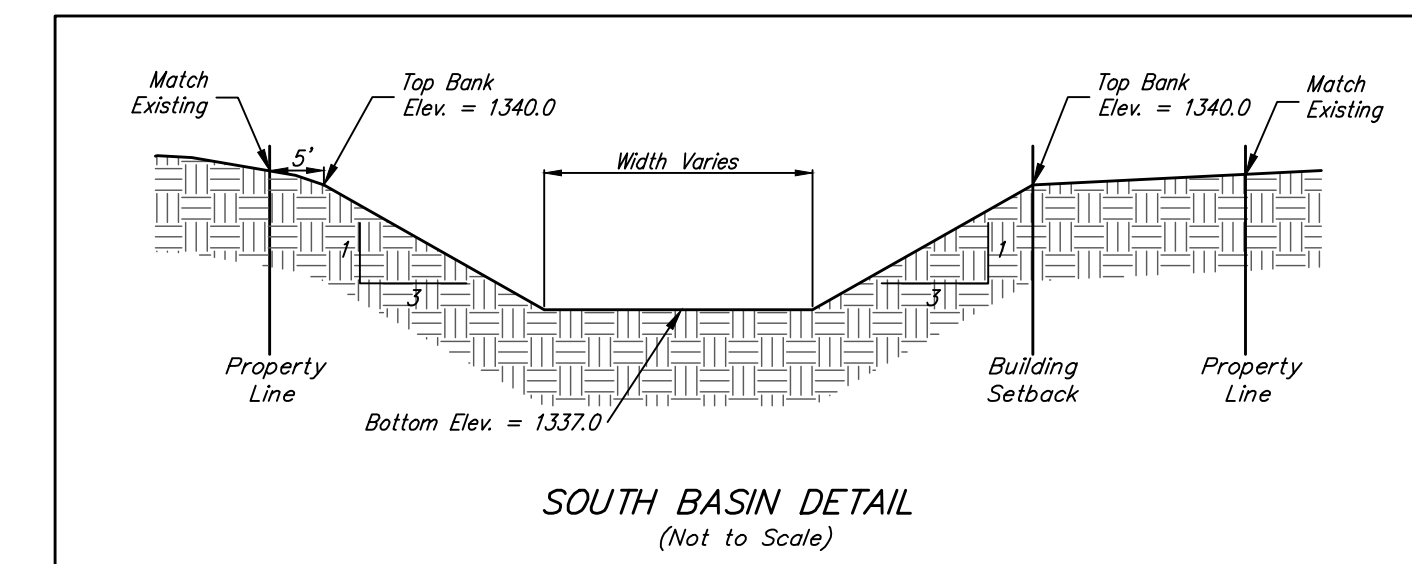
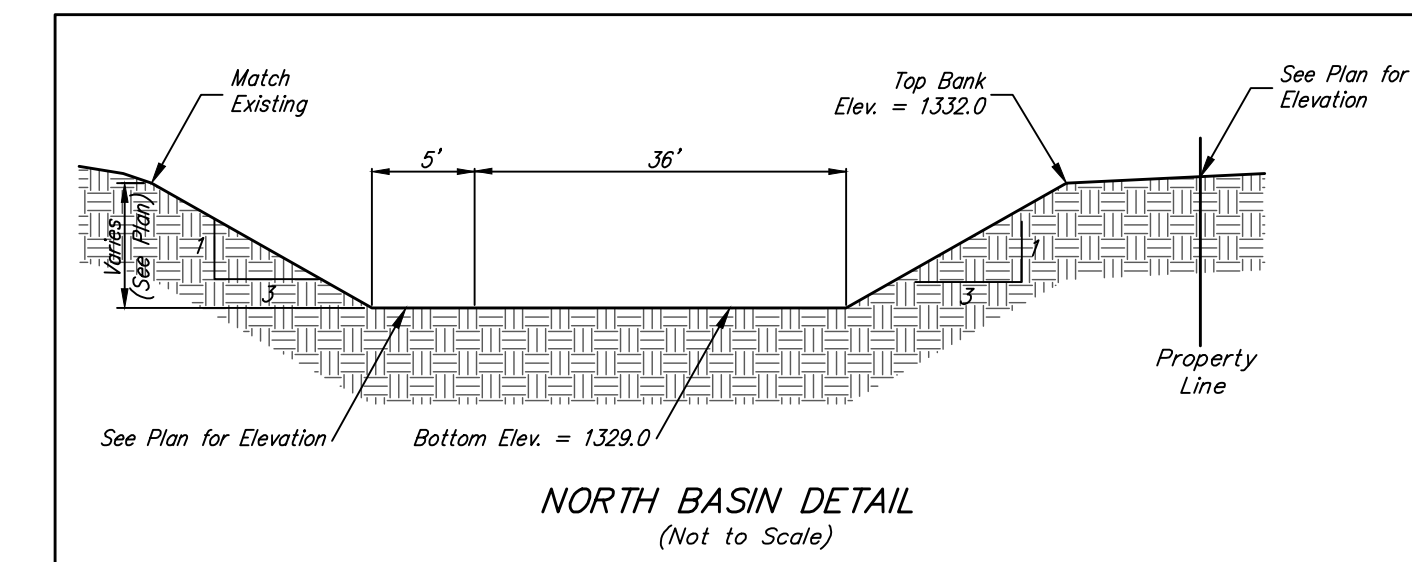
BENCHMARKS:
 Brass benchmark disc in top of curb, east of wheelchair ramp NE cor. of Funston and Lynnrae Elev. = 1343.69 NAVD88

Brass benchmark disc in top of curb, north of wheelchair ramp NW cor. of Funston and Herrington Elev. = 1344.71 NAVD88

Proposed Rock Ditch Check
 Install 106 S.Y. of Light Stone Rip-Rap as Indicated.
 Top Elev. = 1331.0



—(1350)— Proposed Grade
 —1350— Existing Grade



ROCK DITCH CHECK NOTES

1. Place rock in such manner that water will flow over, not around ditch check.
2. Excavation: The ditch area shall be reshaped to fill any eroded areas. Prior to placement of the rock, the ditch shall be excavated to the dimensions of the Rock Ditch Check and to a minimum depth of 6" (150mm). After placement of the rock, backfill and compact any over excavated soil to ditch grade. This work shall be subsidiary to the bid item Temporary Ditch Check (Rock).

	Willow Creek East 3rd Addition - Phase I	
	BASINS Street & Storm Water Sewer Improvements	
Baughman Company, P.A. 315 Ellis St. Wichita, KS 67211 P 316-262-7271 F 316-262-0149 ENGINEERING SURVEYING PLANNING LANDSCAPE ARCHITECTURE		
PROJECT NUMBER 472-84765	DESIGN AEG	DRAWN HJW
REVISIONS:	APPROVED	DATE 05/19
	SCALE Noted	SHEET
		17 OF 33