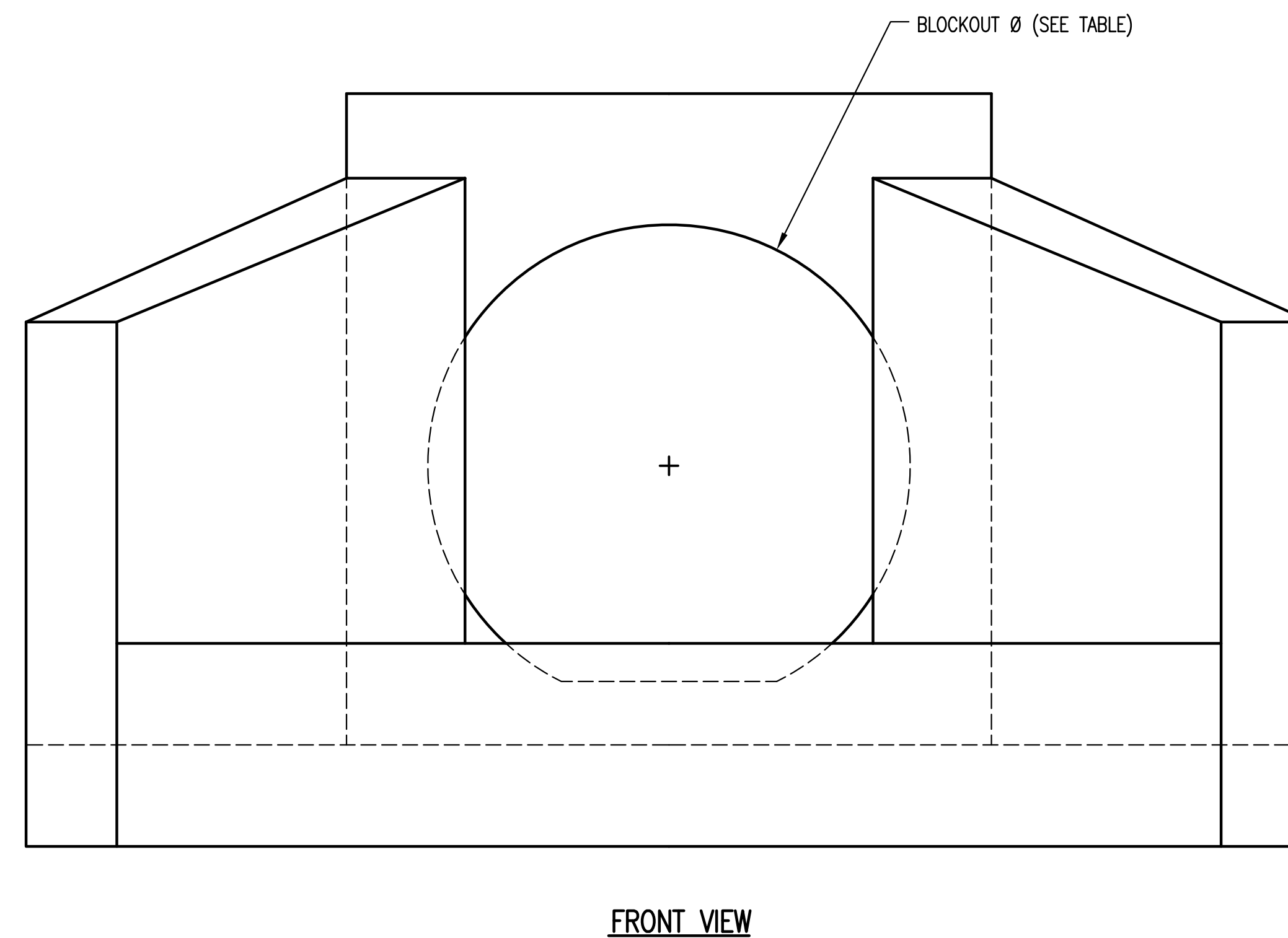
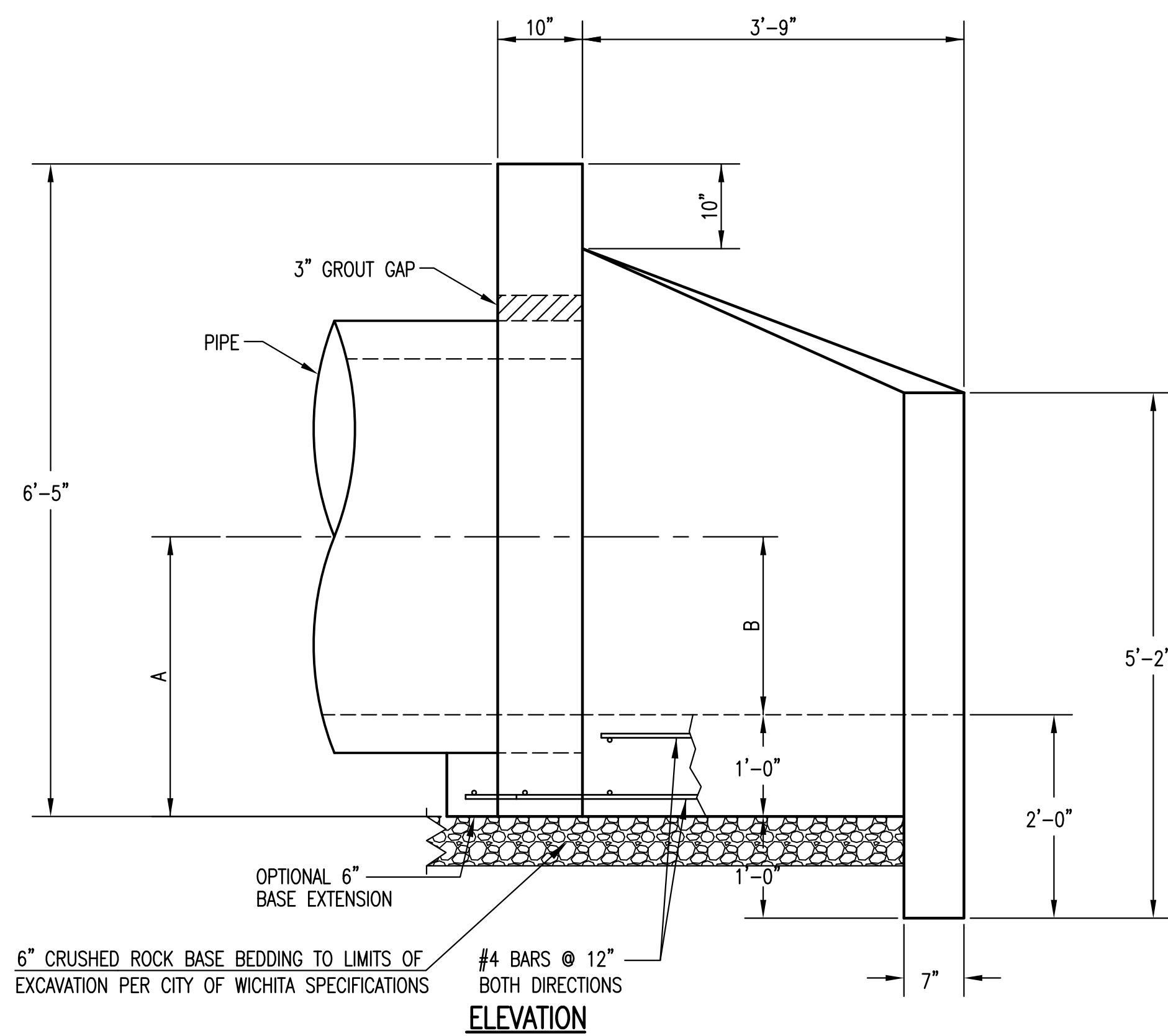


| PIPE Ø | A     | B     | BLOCKOUT Ø |
|--------|-------|-------|------------|
| 42"    | 2'-9" | 1'-9" | 4'-9"      |
| 48"    | 3'-0" | 2'-0" | 5'-4"      |



HEADWALLS, AS SHOWN, WILL NOT SUPPORT FLAP GATE.

REVISED: MARCH 2015



**HEADWALL  
DETAILS FOR  
42" AND 48" PIPE**

CITY ENGINEER  
**GARY JANZEN, P.E.**

PROJECT NUMBER OCA NUMBER DATE

CITY ENGINEER'S OFFICE  
CITY HALL - SEVENTH FLOOR  
455 NORTH MAIN STREET  
WICHITA, KANSAS 67202-1620  
(316) 268-4501

SHEET

**31 of 40**