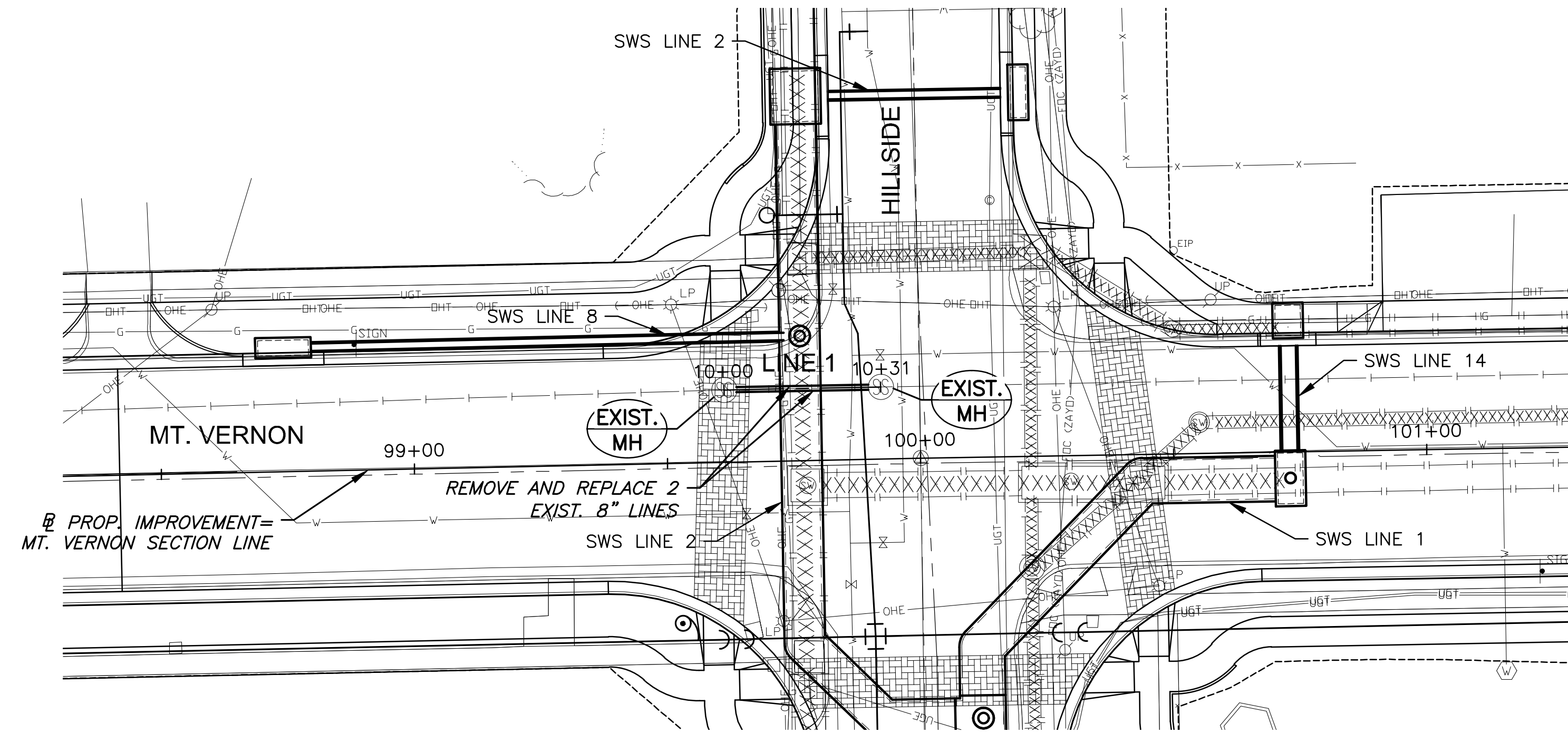
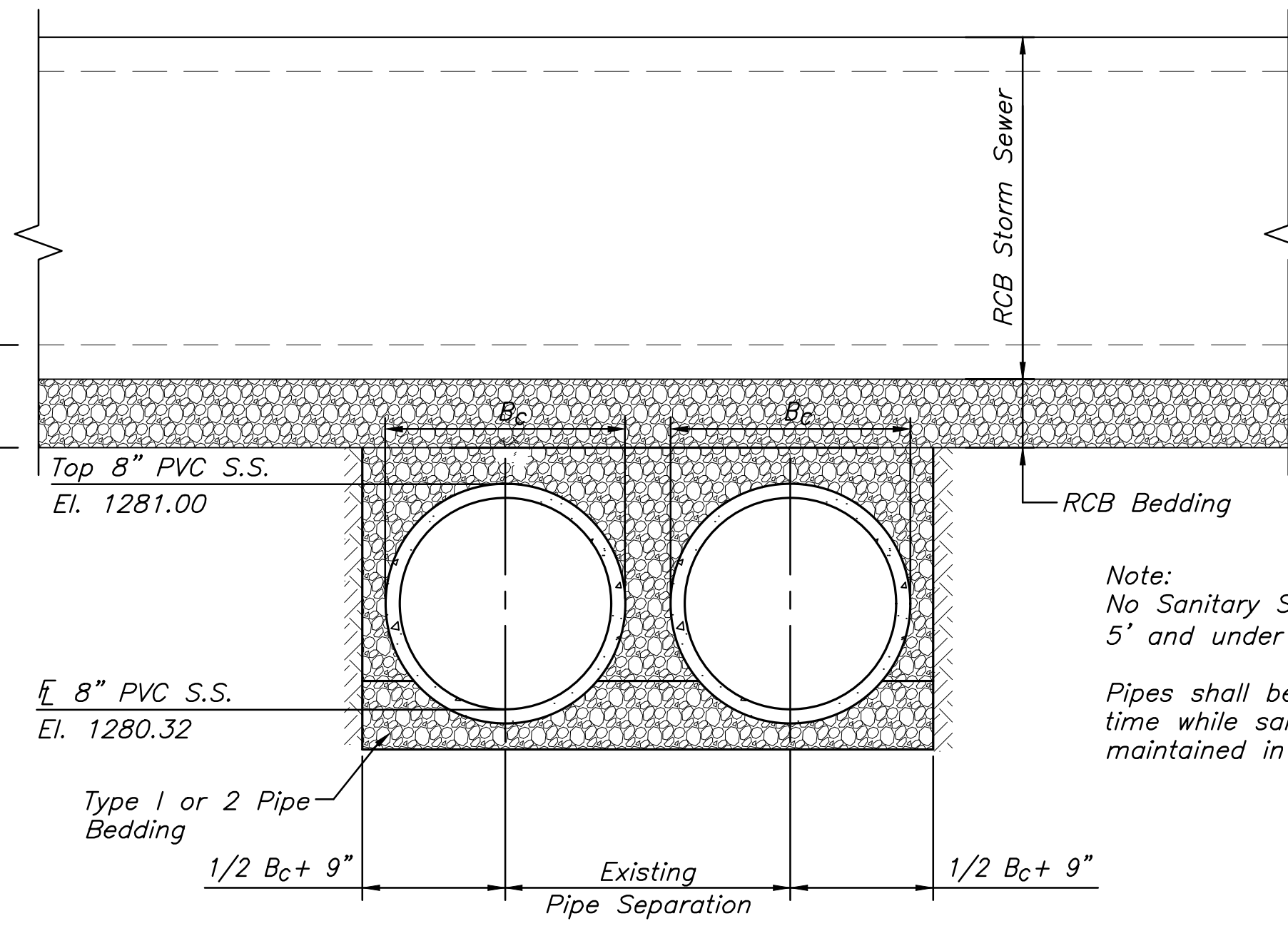


PLOTTED: Tuesday, April 16, 2019 @ 03:59PM

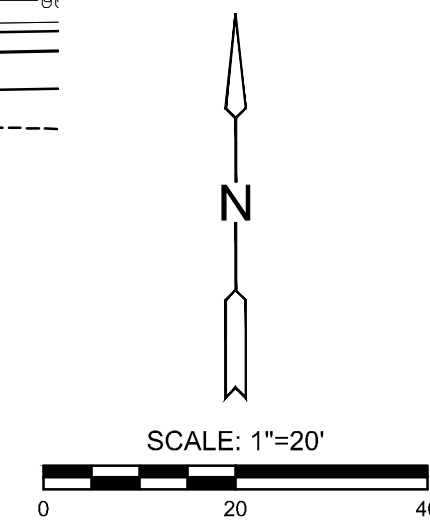
J:\PROJECTS\2018\1601010451_MT. VERNON AND HILLSIDE_160151_CADD\SHS\05_CIVIL\SAINT161514.BRP1.DWG



RCB FL
El. 1282.13
El. 1281.13



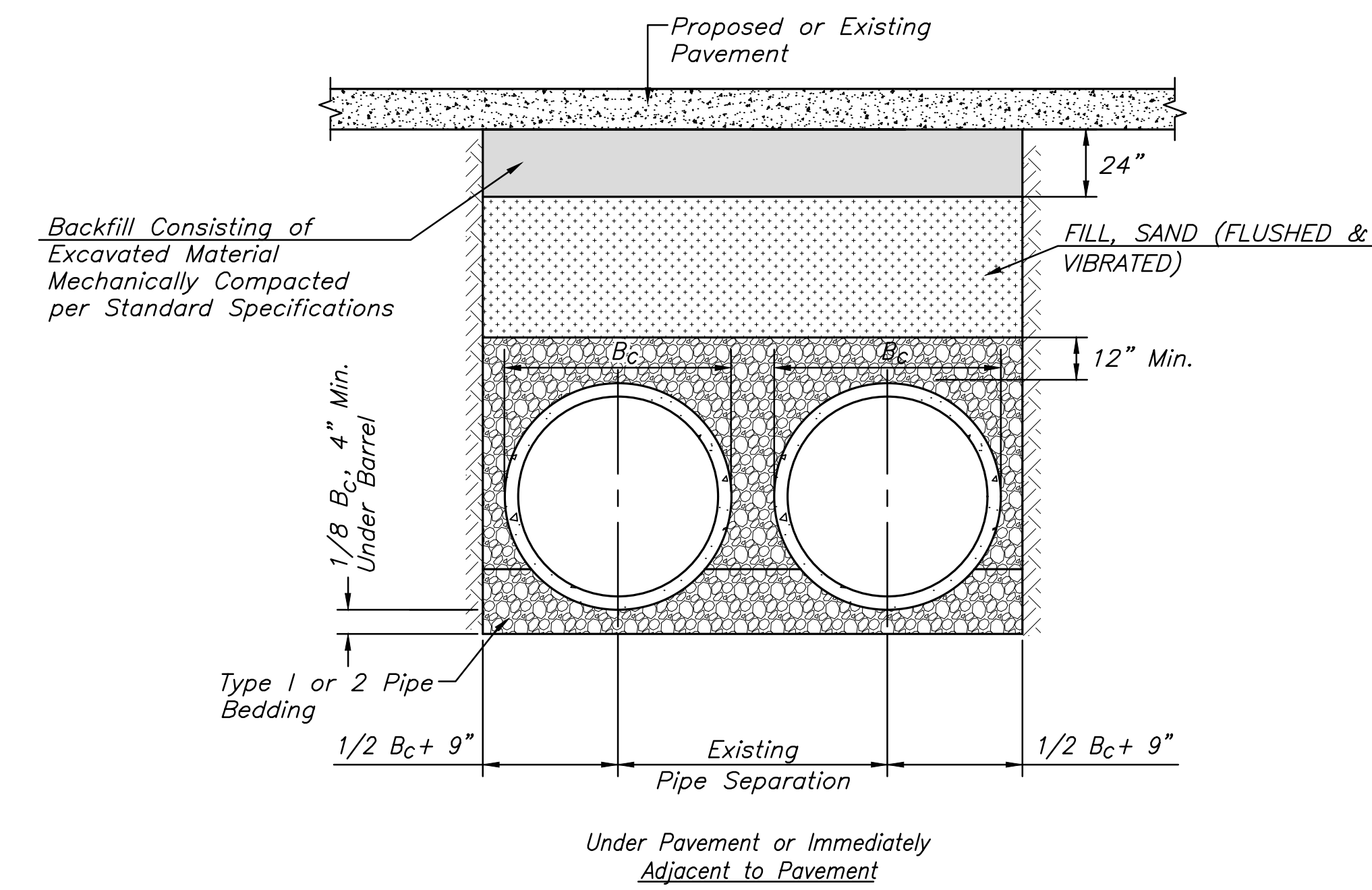
SANITARY SEWER TRENCH DETAIL
(WITHIN 5' AND UNDER RCB)
STA. 10+06.1 TO STA. 10+24.1



PLAN SAN LINE 1

PROFILE SAN LINE 1

Station	Profile Description	Station
1315	SCALE: HORIZ. 1"=20' SCALE: VERT. 1"=5'	1315
1310	STA. 10+00.0, SS LINE 1 ST. STA. 99+61.47, 14.3' LT.	1310
1305	EXIST. MANHOLE EX. TOP=1288.54 ADJUST. MH TOP W/ NEW FRAME & LID PROP. TOP=1288.22	1305
1300	STA. 10+30.9, SS LINE 1 ST. STA. 99+92.41, 14.3' LT.	1300
1295	EXIST. MANHOLE EX. TOP=1288.48 ADJUST. MH TOP PROP. TOP=1288.16	1295
1290	EXISTING GROUND PROPOSED GROUND	1290
1285		1285
1280	PROP. SWS FL=1282.13	1280
1275	30.9' of 8" @ 0.13%	1275
1270	FL OUT=1280.30 FL IN=1280.30	1270
1265	FL OUT=1280.34 FL IN=1280.34	1265



SANITARY SEWER TRENCH DETAIL
(UNDER PAVEMENT)
STA. 10+00.0 TO STA. 10+06.1
STA. 10+24.1 TO STA. 10+30.9

©2019
MKEC Engineering
All Rights Reserved
www.mkec.com
These drawings and their contents, including, but not limited to, all concepts, designs, & ideas are the exclusive property of MKEC Engineering (MKEC), and may not be used or reproduced in any way without the express consent of MKEC.

**SANITARY SEWER
PLAN & PROFILE
& DETAILS**

PROJECT NO. 472-85286

DATE DATE

SCALE #"-#"

DESIGNED DRAWN CHECKED
ABC ABC ABC

NO. REVISION DATE

SHEET NO.