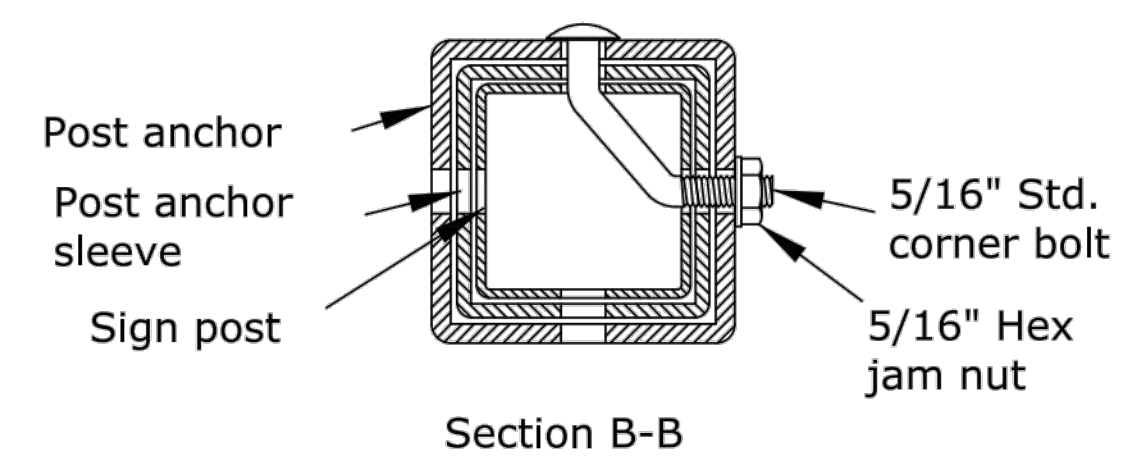
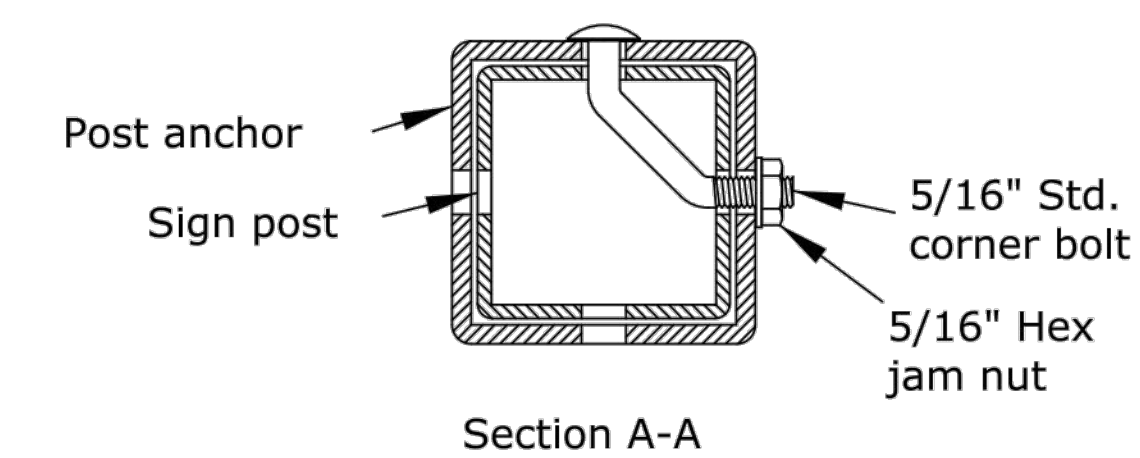
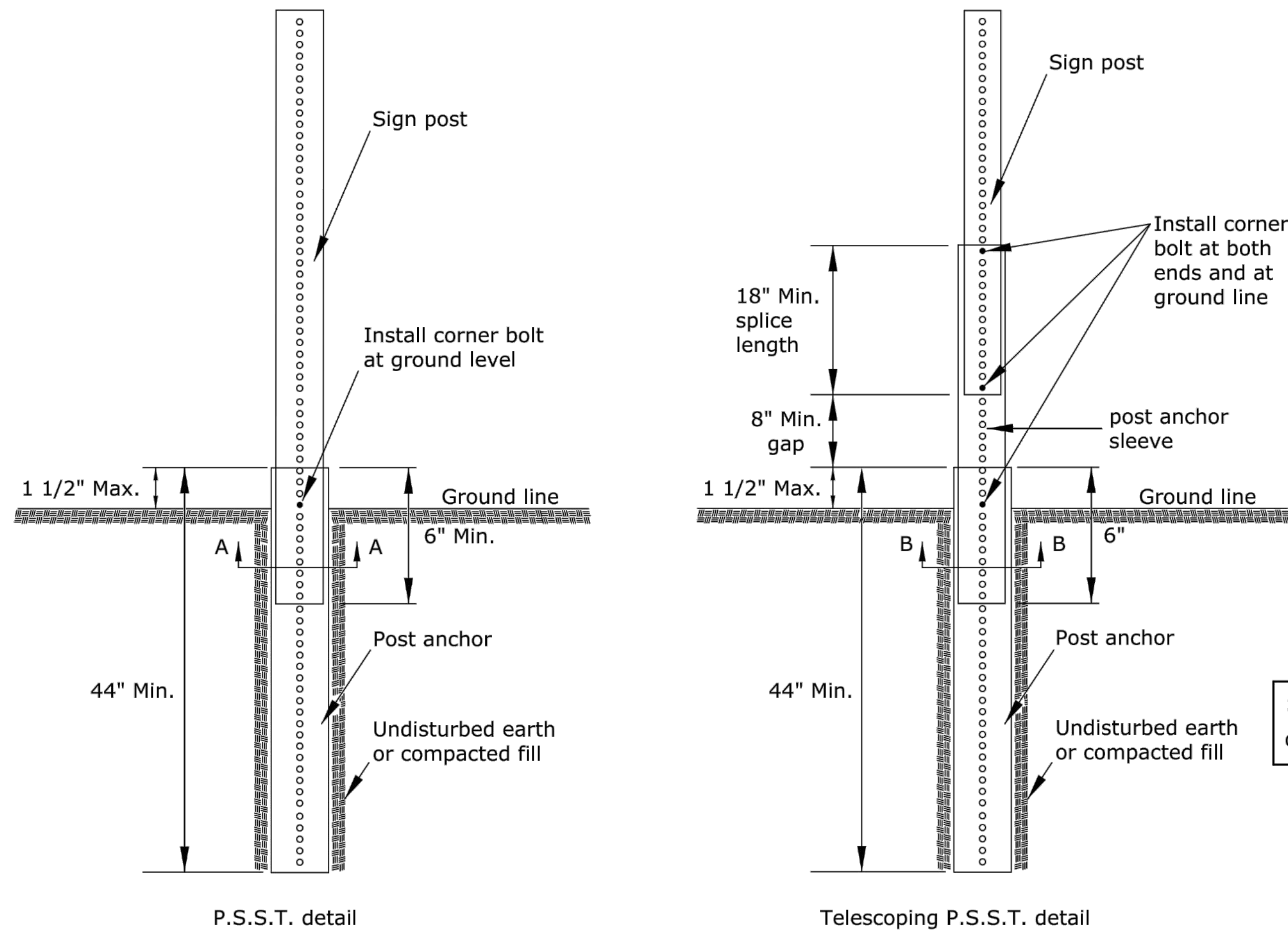
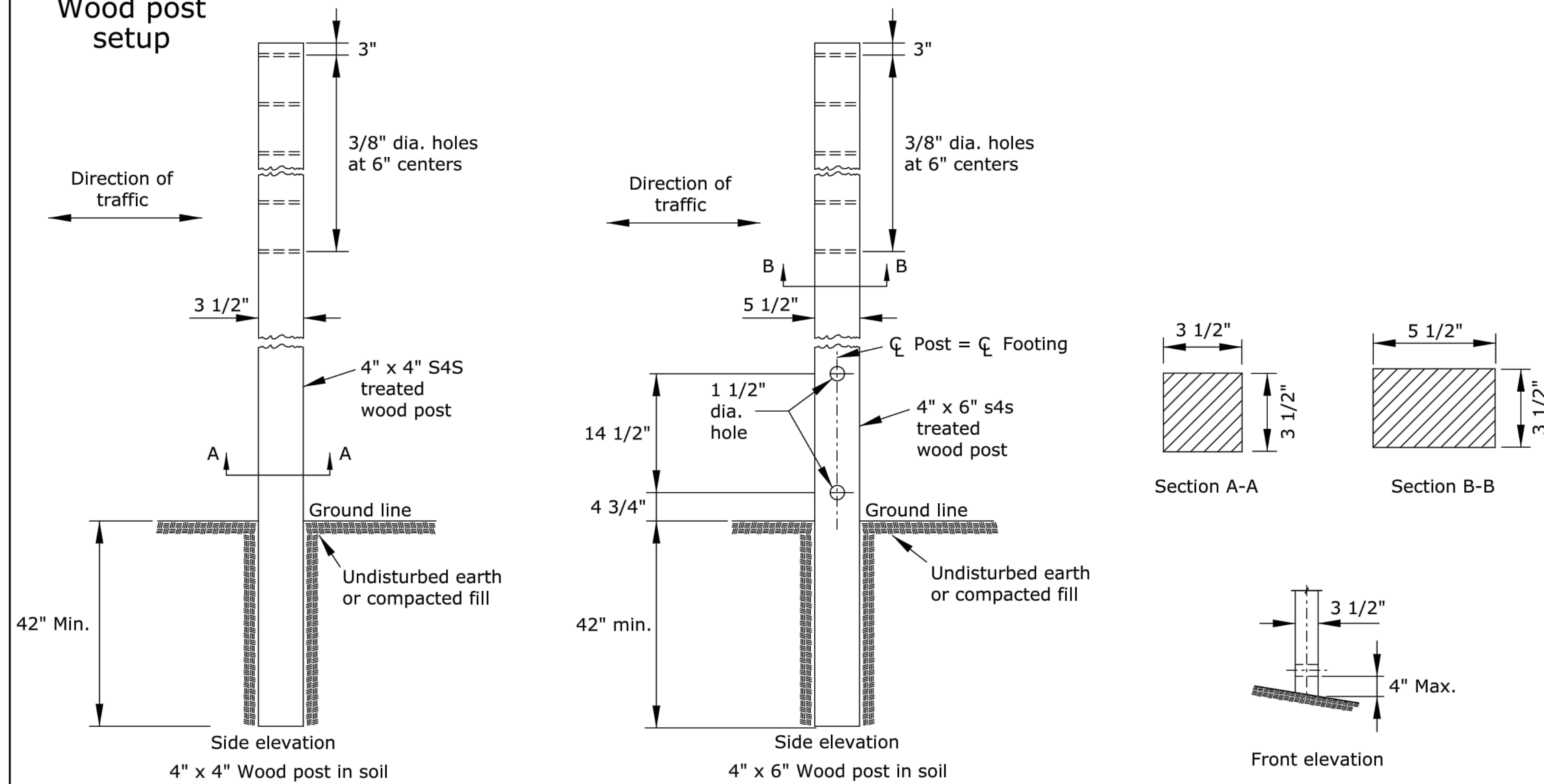


Perforated square steel tube (P.S.S.T.) post setup



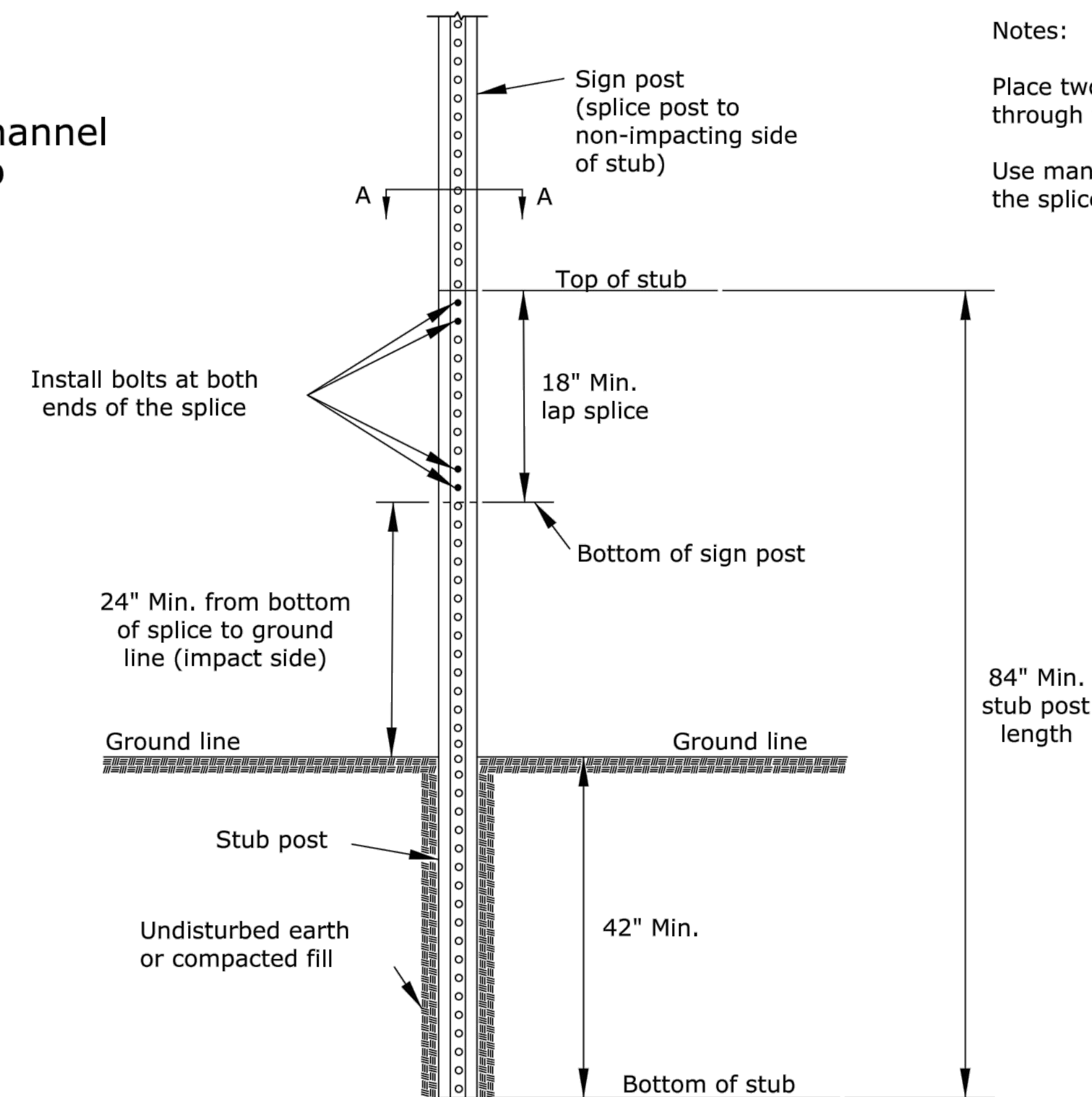
Details for 2", 2 1/4", or 2 1/2" sign posts
Place bolts in the same corner along each sign post.

Wood post setup



See TE710 for additional details and requirements

3 lb/f U-Channel setup



Notes:
Place two bolts at both ends of the splice through the holes nearest the ends of the splice.
Use manufacturer recommended spacers over the bolts between the spliced pieces of U-Channel.

NO.	DATE	REVISIONS	BY	APP'D
3				
2				
1				

KANSAS DEPARTMENT OF TRANSPORTATION				
TRAFFIC CONTROL SIGN POSTS				
TE712				
DESIGNED	B.A.H.	DATE	06/01/15	APP'D
DESIGN CK.	DETAIL CK.	R.W.B.	QUANTITIES	TRACED
		QUAN. CK.		TRACE CK.