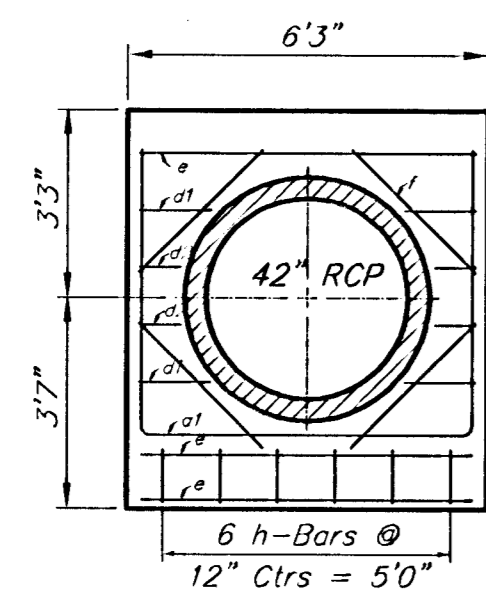
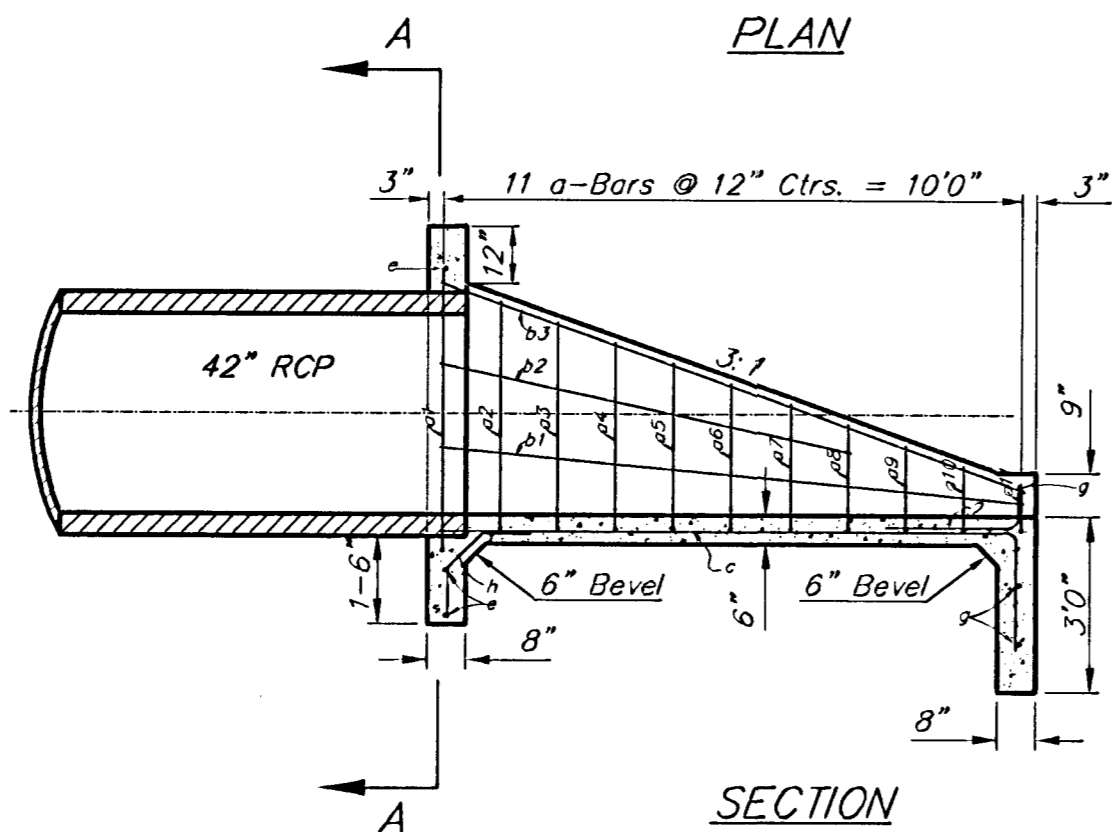


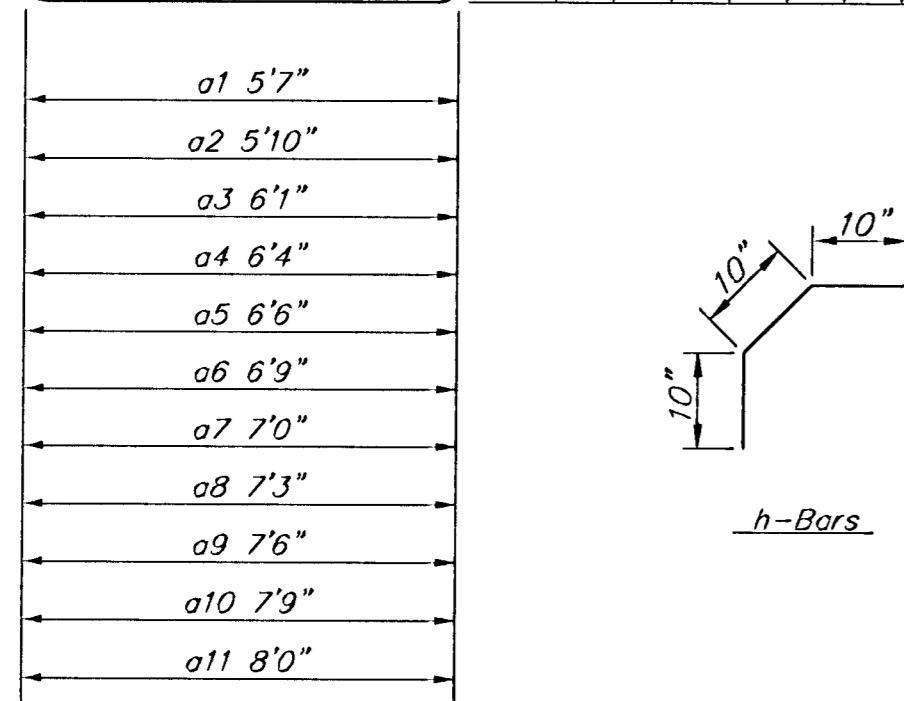
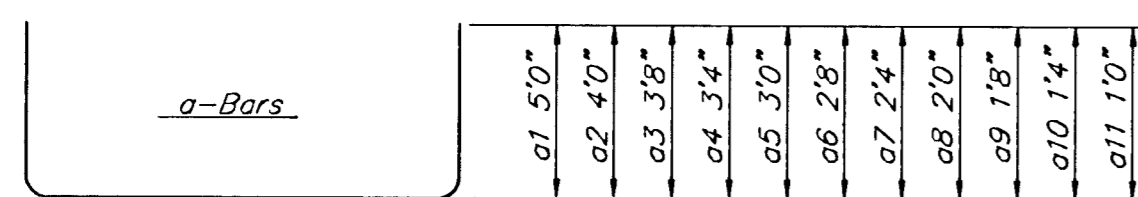
PLAN



SECTION A-A



SECTION

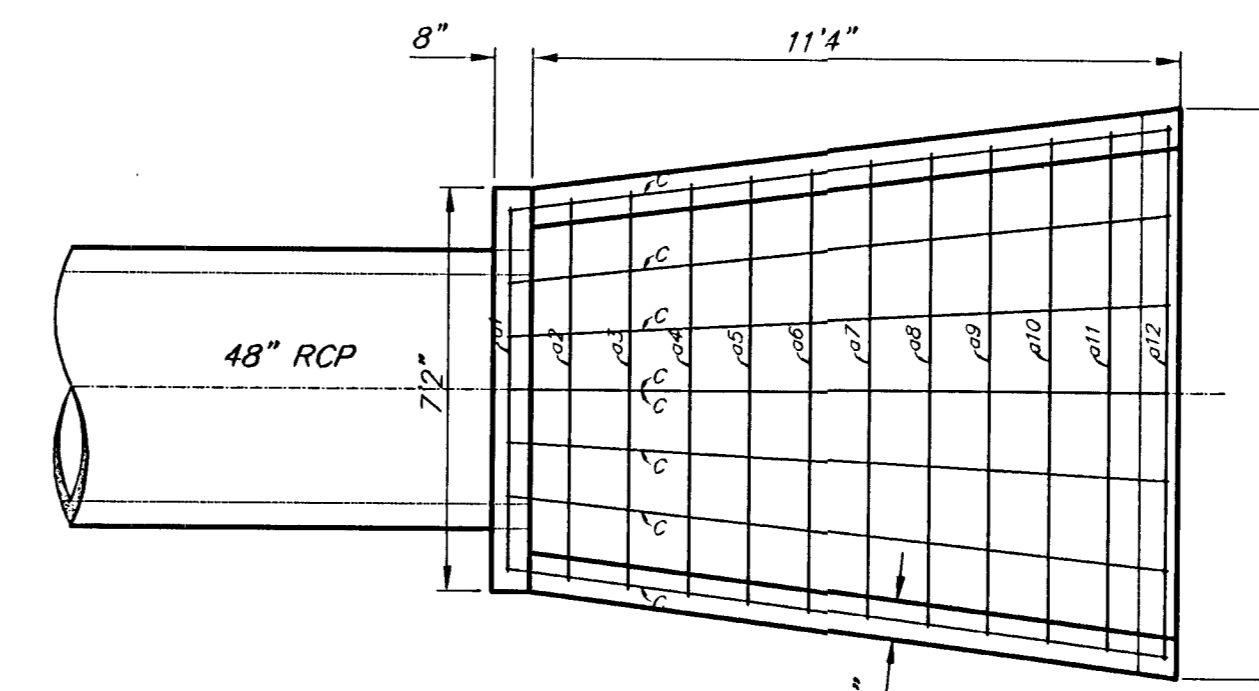


REBAR SCHEDULE

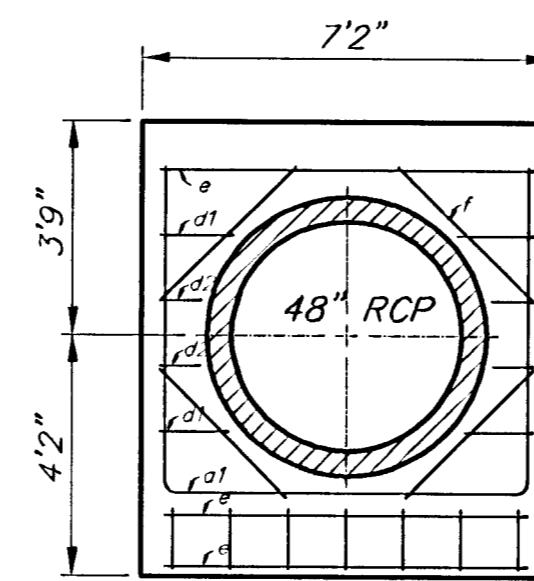
Bar	Shape	No.	Length	Weight
a1		1	15'7"	10.41
a2		1	13'10"	9.24
a3		1	13'5"	8.96
a4		1	13'0"	8.68
a5		1	12'6"	8.35
a6		1	12'1"	8.07
a7		1	11'8"	7.79
a8		1	11'3"	7.52
a9		1	10'9"	7.18
a10		1	10'5"	6.96
a11		1	10'0"	6.68
b1		2	10'2"	13.58
b2		2	7'3"	9.69
b3		2	10'8"	14.25
c1		7	12'0"	56.11
c2		5	3'3"	10.85
d1		4	1'3"	3.34
d2		4	9"	2.00
e		3	5'10"	11.69
f		4	3'0"	30.06
g		2	8'0"	10.69
h		6	2'6"	6.68
Total Rebar			258.78 Lbs.	
Concrete			10.25 C.Y.	

A Deduction in Concrete Quantities Has Been Made for Pipe Openings Through the Headwall  
 \* Field Bend or Cut Reinforcing as Required for Clearance.  
 All Concrete Reinforcement to be #4 Rebar  
 All Rebar to Have Min. of 1 1/2" Conc. Cover

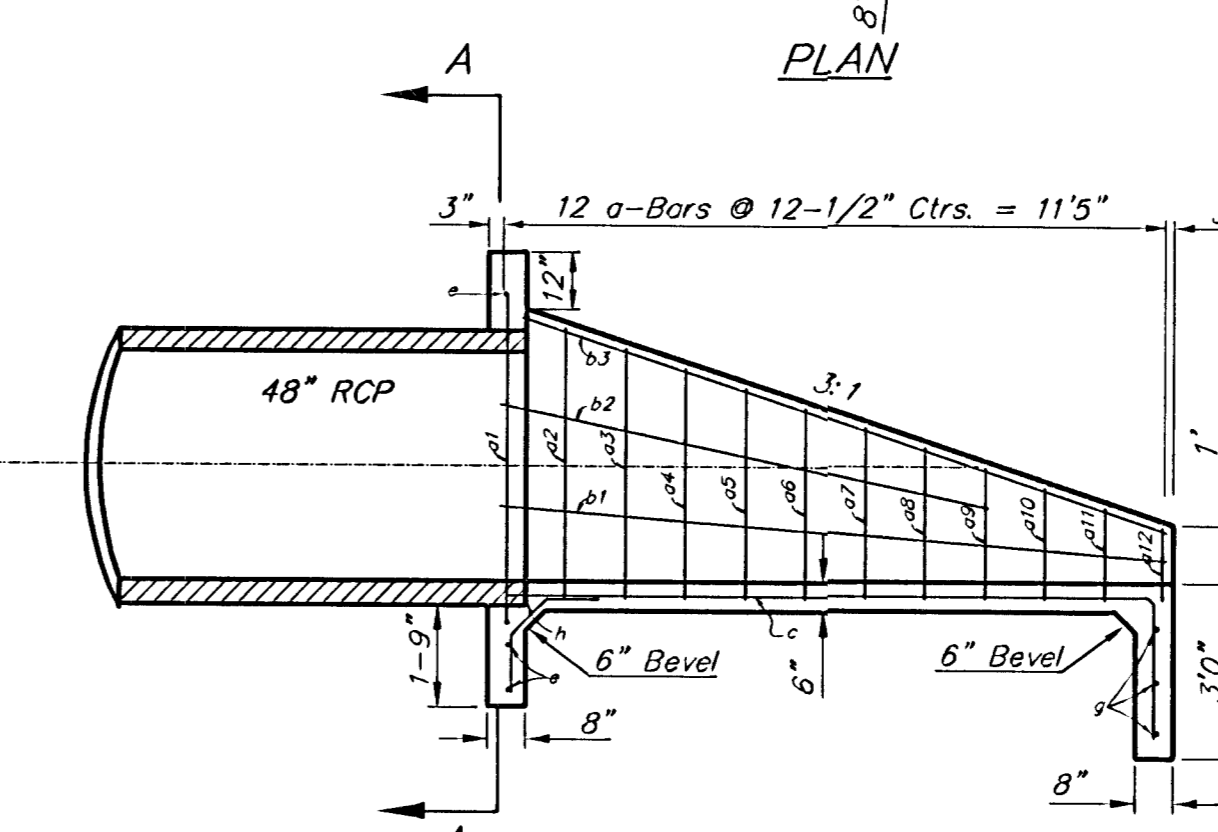
SPECIAL HEADWALL FOR 42" SWS



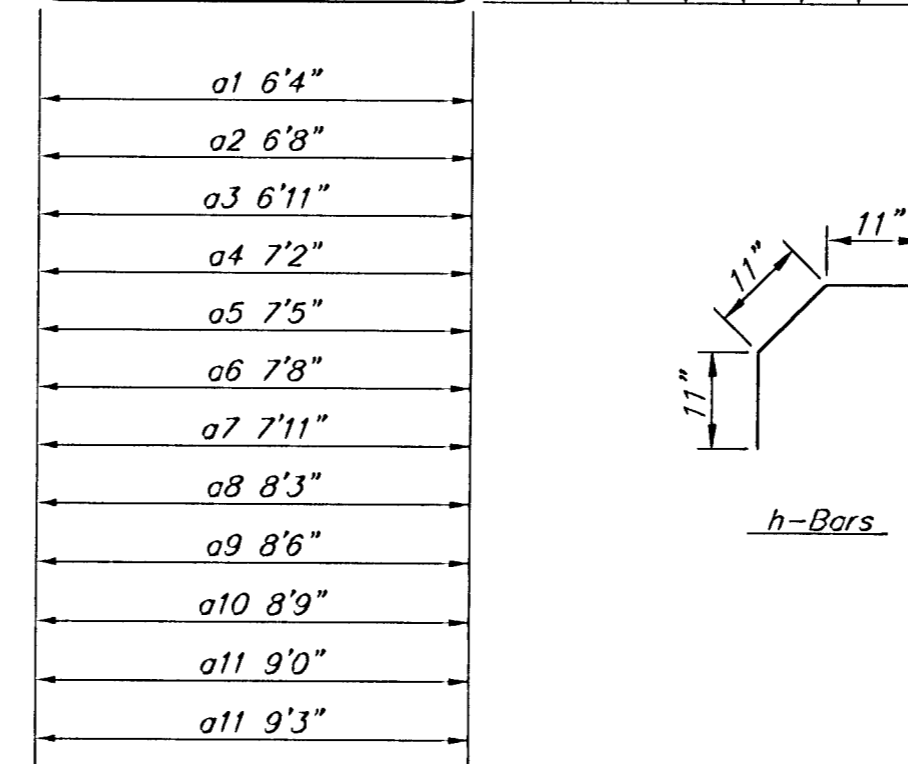
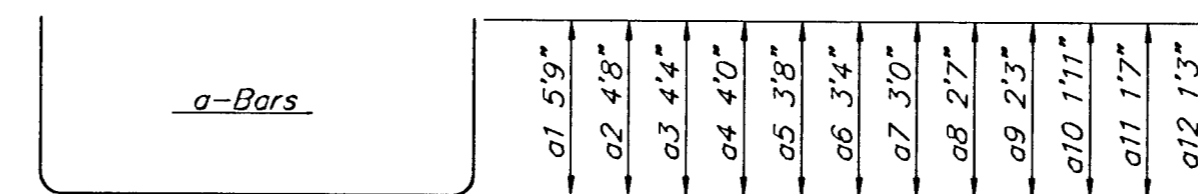
PLAN



SECTION A-A



SECTION



REBAR SCHEDULE

Bar	Shape	No.	Length	Weight
a1		1	17'10"	11.91
a2		1	16'0"	10.69
a3		1	15'7"	10.41
a4		1	15'2"	10.13
a5		1	14'9"	9.82
a6		1	14'4"	9.57
a7		1	13'11"	9.30
a8		1	13'5"	8.96
a9		1	13'0"	8.68
a10		1	12'7"	8.41
a11		1	12'2"	8.13
a12		1	11'9"	7.85
b1		2	11'8"	15.59
b2		2	8'8"	11.58
b3		2	11'10"	15.81
c		7	14'0"	65.46
d1		4	1'2"	3.12
d2		4	8"	1.78
e		3	6'6"	13.03
f		4	3'4"	8.91
g		3	9'3"	18.54
h		7	2'9"	12.86
Total Rebar			280.54 Lbs.	
Concrete			4.91 C.Y.	

A Deduction in Concrete Quantities Has Been Made for Pipe Openings Through the Headwall  
 \* Field Bend or Cut Reinforcing as Required for Clearance.  
 All Concrete Reinforcement to be #4 Rebar  
 All Rebar to Have Min. of 1 1/2" Conc. Cover

HEADWALL FOR 48" SWS

- GENERAL NOTES**
- ALL PIPES SHALL BE FLUSH CUT PRIOR TO BEING CAST INTO CONCRETE HEADWALL
  - CONCRETE USED IN HEADWALL CONSTRUCTION SHALL BE SAME AS PER CITY STANDARD PAVING MIX EXCEPT THAT IT SHALL HAVE A MINIMUM 28 DAY COMPRESSIVE STRENGTH OF 4000 PSI.
  - ALL EXPOSED EDGES SHALL BE BEVELED 1/2".
  - REINFORCING STEEL SHALL COMPLY TO A.S.T.M. DESIGNATION A615 GRADE 60. ALL DIMENSIONS RELATIVE TO REINFORCING STEEL ARE TO CENTERLINE OF BAR UNLESS OTHERWISE NOTED.
  - THE "REIN. CONC. HEADWALL" SHALL BE PAID FOR AT THE UNIT PRICE BID PER EACH IN PLACE WHICH SHALL INCLUDE ALL LABOR, MATERIALS, EXCAVATION, CONCRETE, REINFORCING STEEL AND ALL OTHER INCIDENTAL ITEMS NECESSARY TO COMPLETE THE WORK. MATERIAL QUANTITIES SHOWN ARE FOR INFORMATION ONLY.

**HEADWALL DETAIL**  
 BAUGHMAN COMPANY P.A.  
 ENGINEERING, SURVEYING, & PLANNING  
 318-262-7271 • 315 ELLIS • WICHITA, KANSAS 67211

DESIGN BLP/DMV	DRAWN JAK	APPROVED	DATE 5/28/04	SCALE NONE	SHEET 24 OF 31
-------------------	--------------	----------	-----------------	---------------	-------------------------