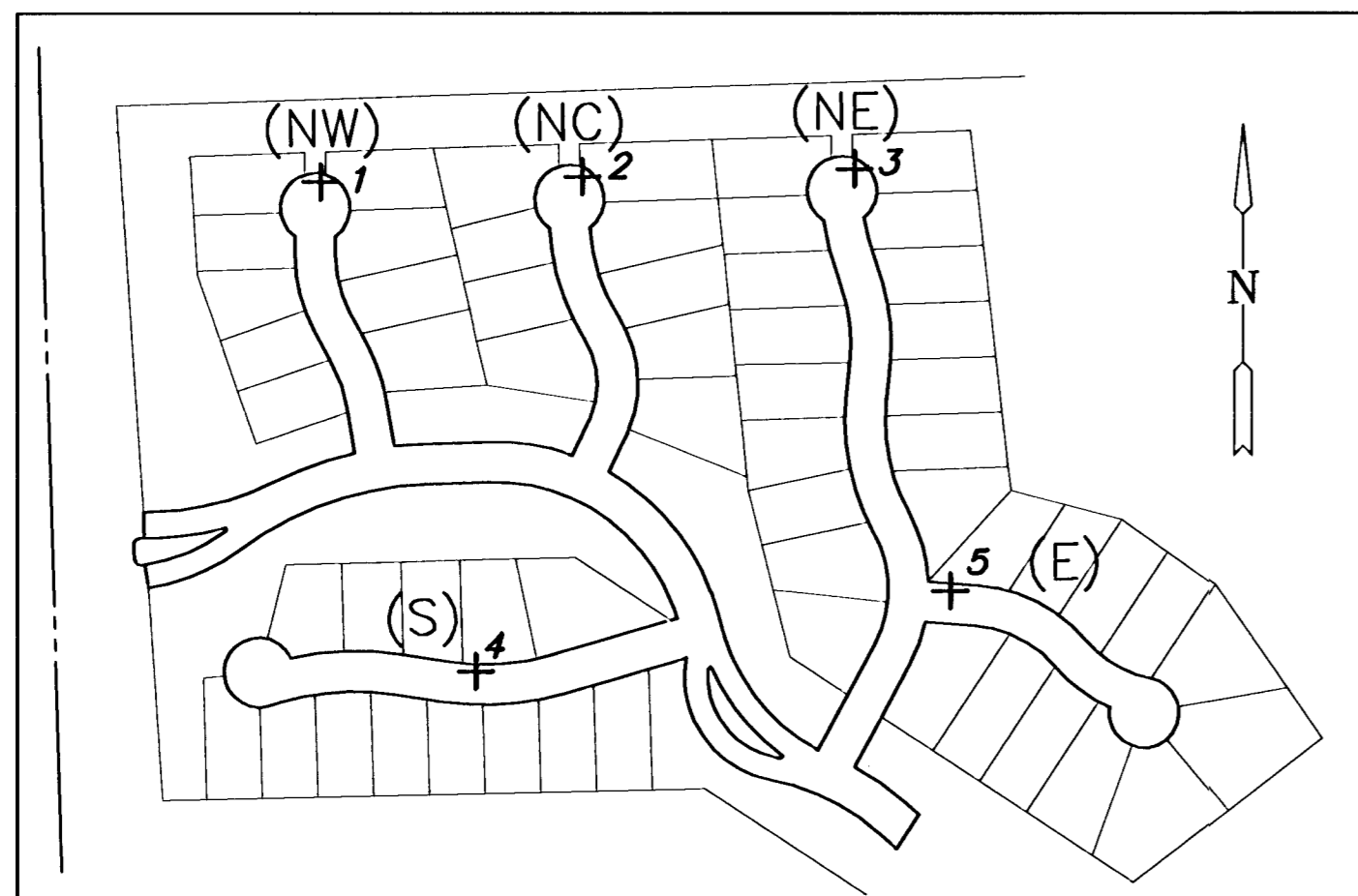
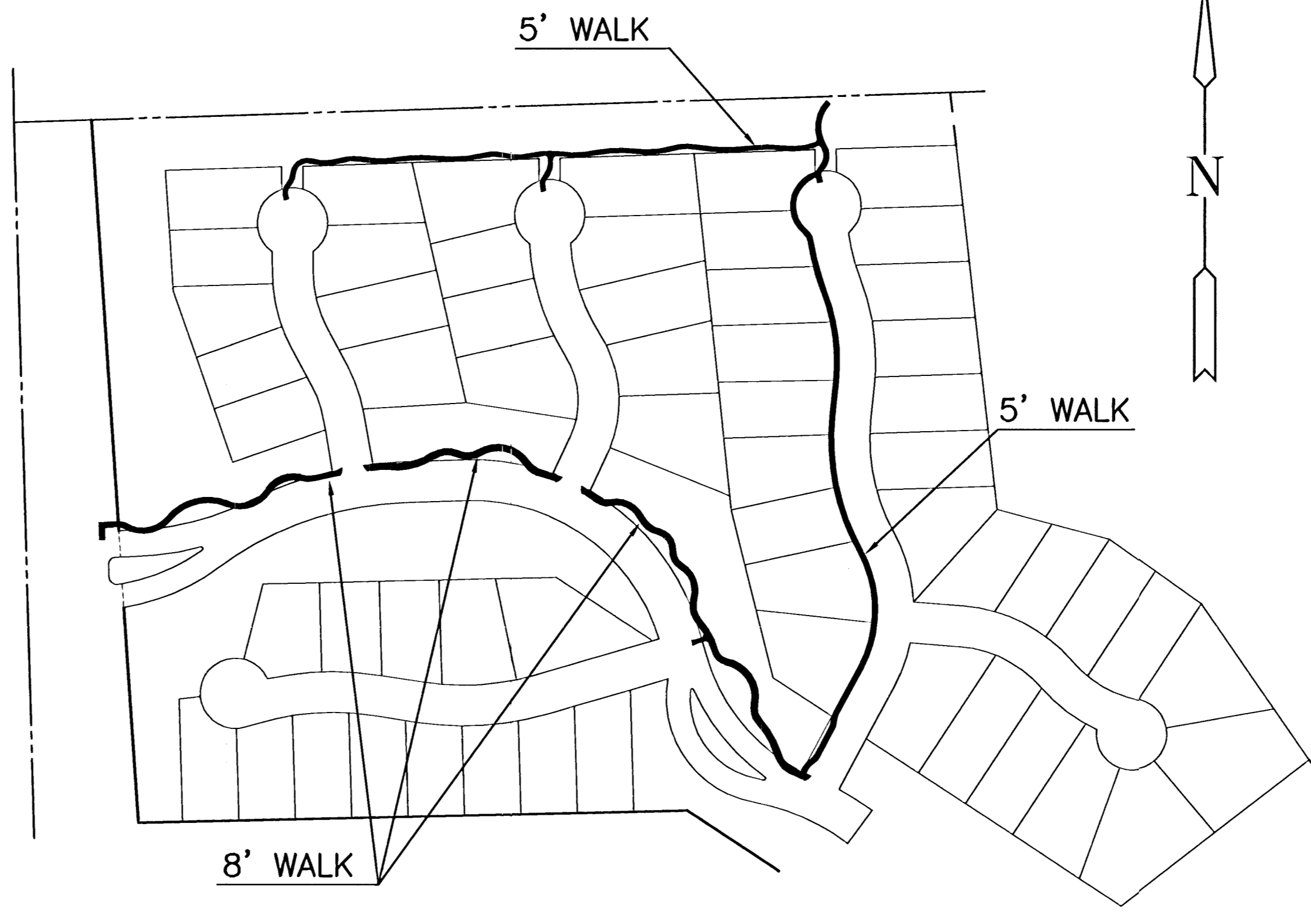


* = CL STA 1+34.22 - CL STA 2+2+45.51
 ** = CL STA 11+29.39 - CL STA 12+89.00

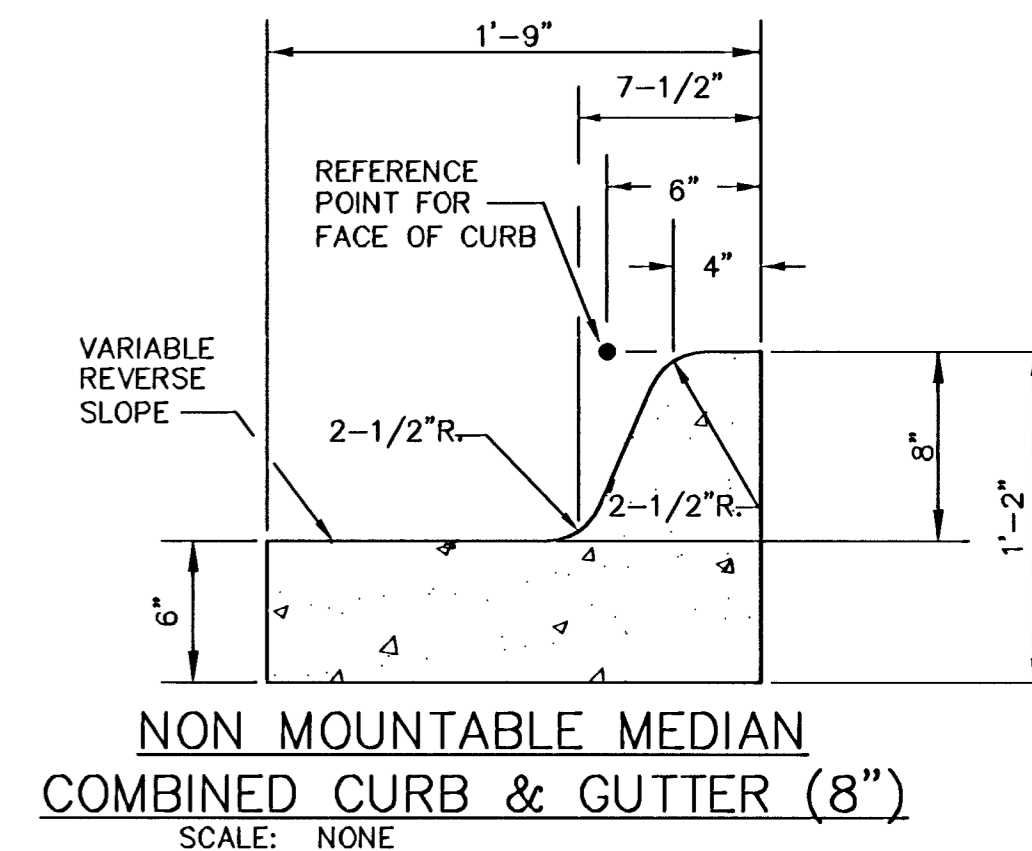


SUBDIVISION BENCH MARK LOCATION MAP

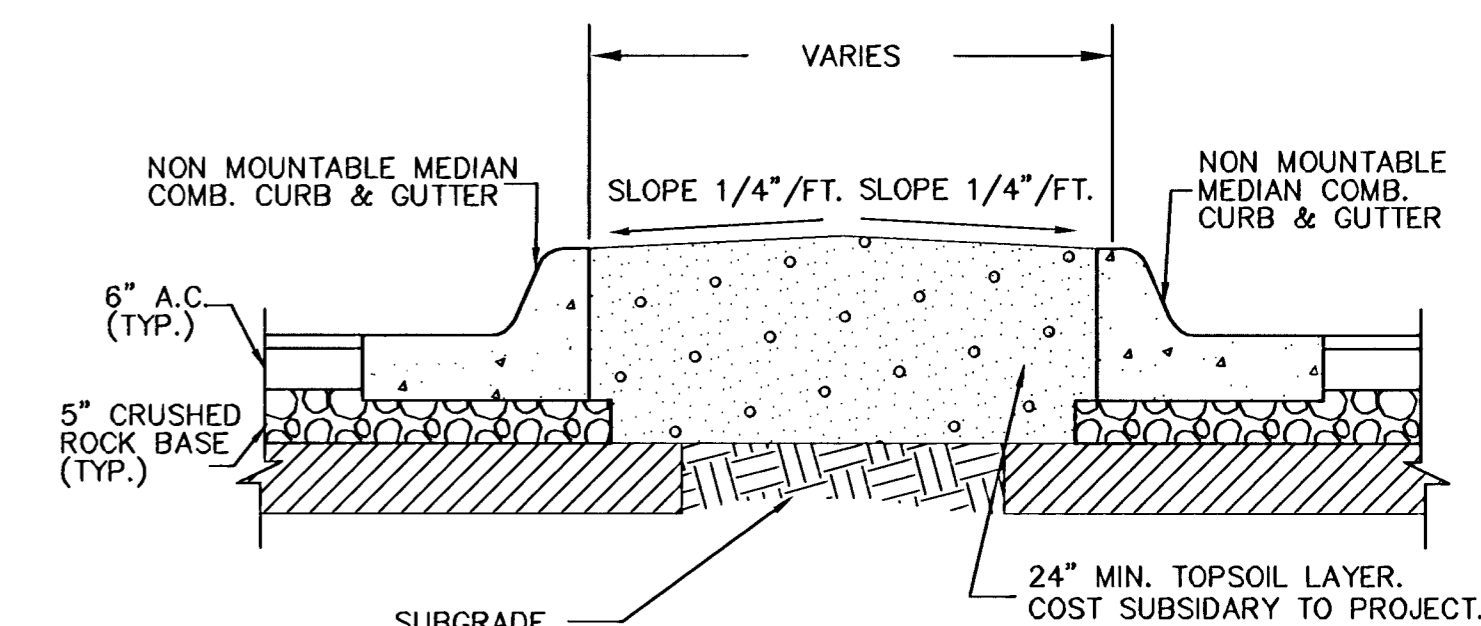


SIDEWALK LOCATION MAP

SIDEWALK ALIGNMENT TO BE APPROVED BY MKEC LANDSCAPE ARCHITECT. CONTRACTOR SHALL EXPECT TO COMPLETE FINAL GRADING AND SHAPING OF SIDEWALK ALIGNMENT ALONG BERM AND ALONG THE NORTH EDGE OF THE PROJECT. CONTRACTOR SHALL BE REQUIRED TO VERIFY AND CONSTRUCT MAXIMUM 5% GRADE FOR LONGITUDINAL GRADE OF SIDEWALK AND 2% MAXIMUM CROSS SECTIONAL GRADE. CONTRACTOR SHALL ALSO BE RESPONSIBLE FOR BLENDING BERM GRADING INTO EDGES OF SIDEWALK. ALL COST SHALL BE SUBSIDIARY TO SIDEWALK CONSTRUCTION.



NON MOUNTABLE MEDIAN COMBINED CURB & GUTTER (8")
SCALE: NONE



MEDIAN DETAIL
SCALE: NONE

SUBDIVISION BENCH MARKS				
NO.	STREET	FROM CL	DESCRIPTION	ELEVATIONS
1	WESTLAKES CT (NW), STA. 4+29.28	5.0' RT	SE SIDE OF INLET HOOKUP, END OF CUL DE SAC	165.58
2	WESTLAKES CT (NC), STA. 4+66.32	5.0' RT	SE SIDE OF INLET HOOKUP, END OF CUL DE SAC	165.34
3	WESTLAKES CT (NE), STA. 9+22.58	5.0' RT	SE SIDE OF INLET HOOKUP, END OF CUL DE SAC	165.27
4	WESTLAKES CT (S), STA. 0+31.52	14.5' LT	TOP OF CURB AT NE END OF RETURN, STA. 0+31.52	166.94
5	WESTLAKES CT (E), STA. 3+21.58	14.5' RT	SE SIDE OF INLET HOOKUP, STA. 3+21.58	166.77

NOTE:
 CONTRACTOR SHALL INSTALL SUBDIVISION BENCH MARKS ("FLAT SURVEY MARKERS NO. 8134-08 3" TOP DIAMETER" PROVIDED BY KANSAS BLUE PRINT CO., INC.) COSTS TO BE CONSIDERED SUBSIDIARY TO CONSTRUCTION OF COMBINED CURB AND GUTTER.

AS-BUILT JUNE 2005

G:\CIVIL\99118\dwg\PAV\PH_8\as-built\99118ED6.dwg



FOX RIDGE ADDITION
PROJECT NAME

PAVING DETAILS
SHEET TITLE

DK DESIGN BY. DM DRAWN BY. DK CHECKED BY.

SEPTEMBER 2004 DATE 99118ED6 JOB NO. 5 / 50 SHEET/OF