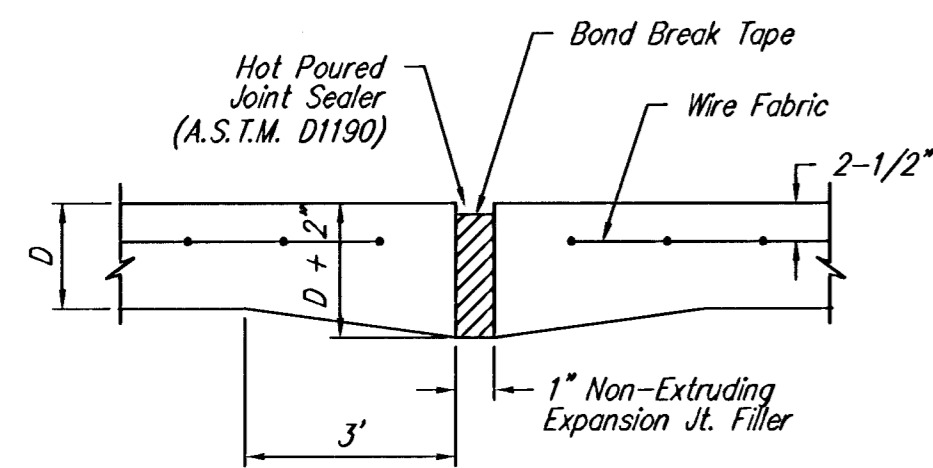


DETAIL FOR STREET

STANDARD WHEELCHAIR RAMP CONSTRUCTION DETAIL

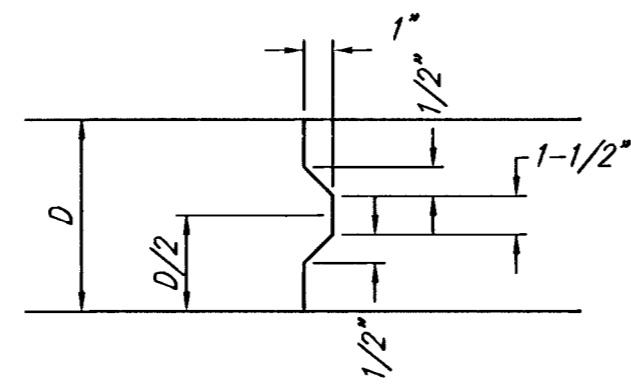
STANDARD WHEELCHAIR RAMP CONSTRUCTION DETAIL FOR CURBS WITH COMBINED CURB & GUTTER

STANDARD WHEELCHAIR RAMP CONSTRUCTION DETAIL FOR MONOLITHIC CURB

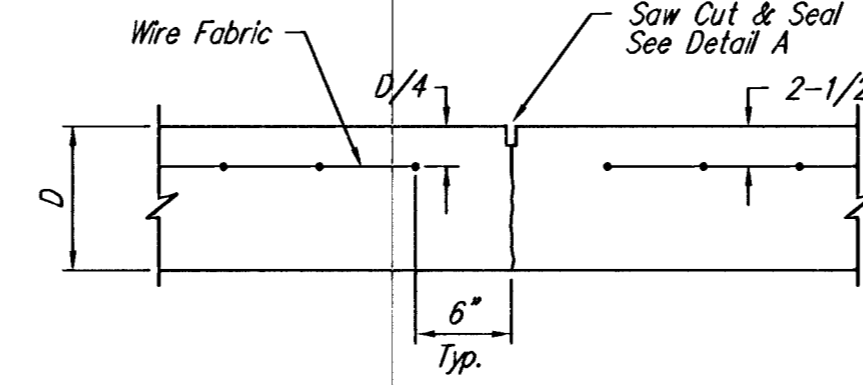


EXPANSION JOINT

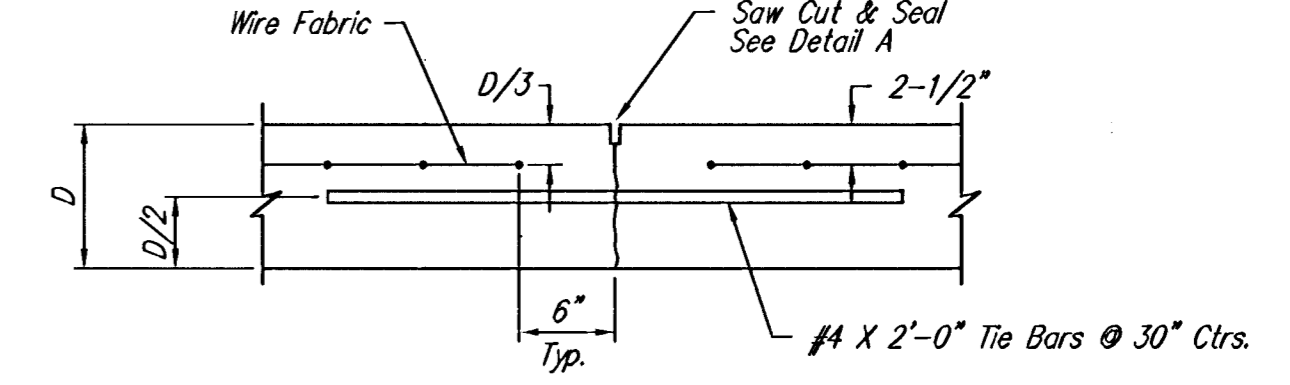
NOTE: Extra Thickness to be Subsidiary to Price of Square Yards Pavement



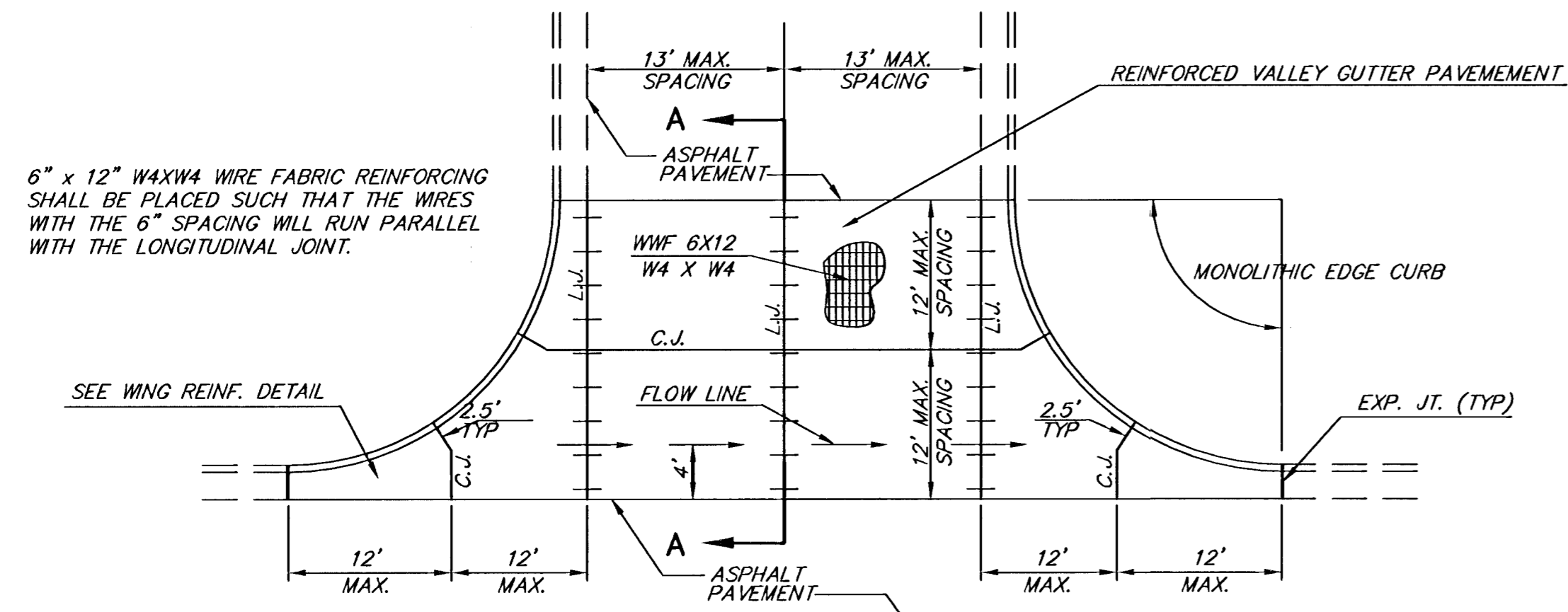
KEYWAY DETAIL



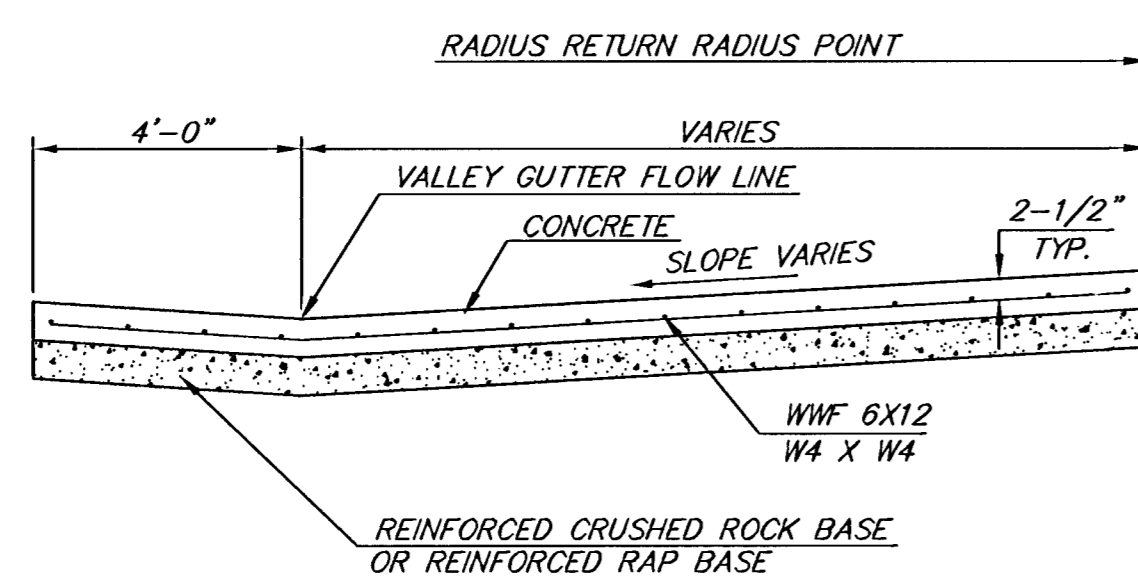
CONTRACTION JOINT DETAIL (C.J.)



LONGITUDINAL JOINT DETAIL (L.J.)

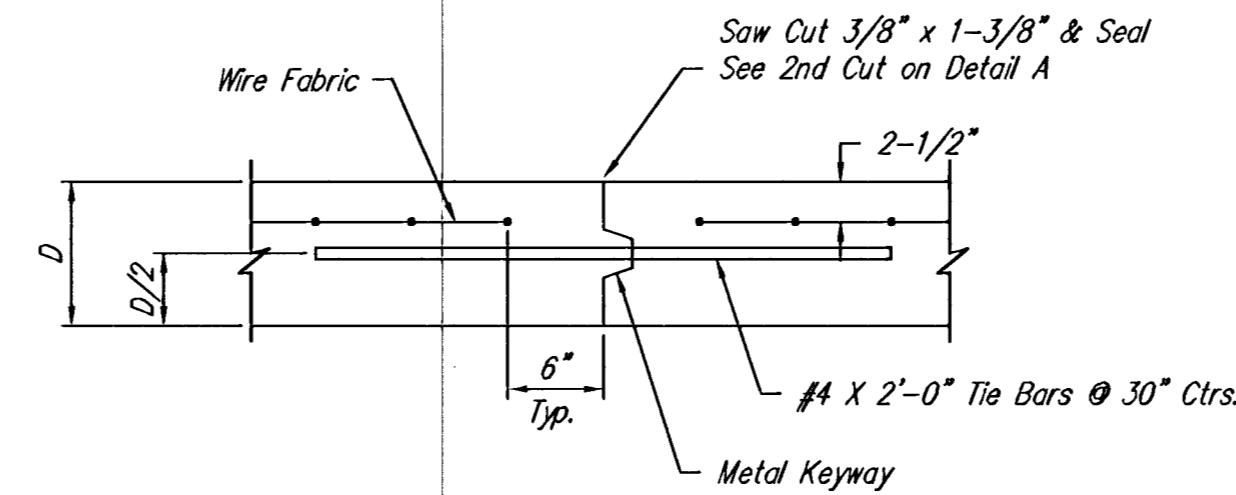


PLAN

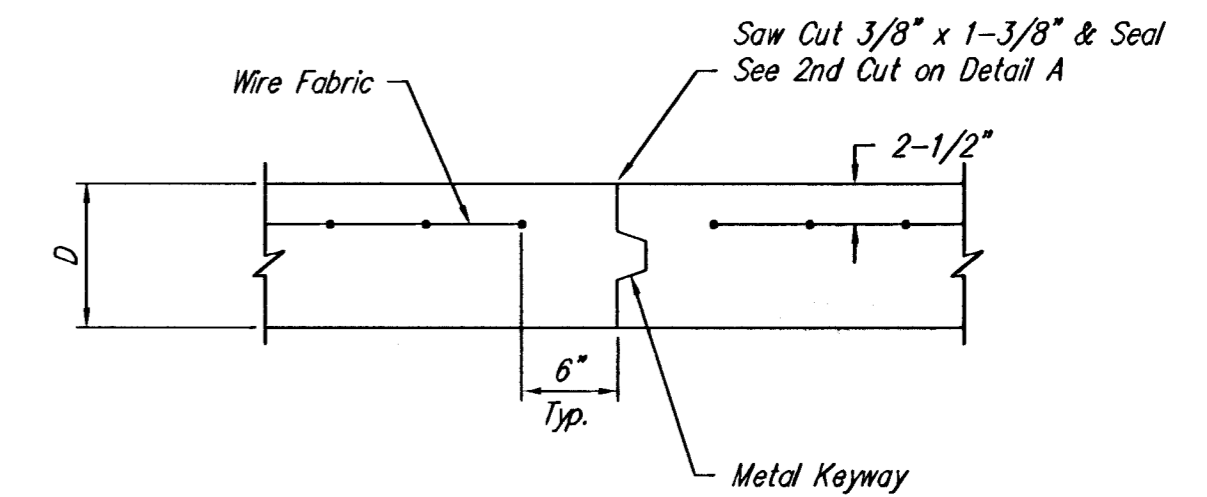


SECTION A-A

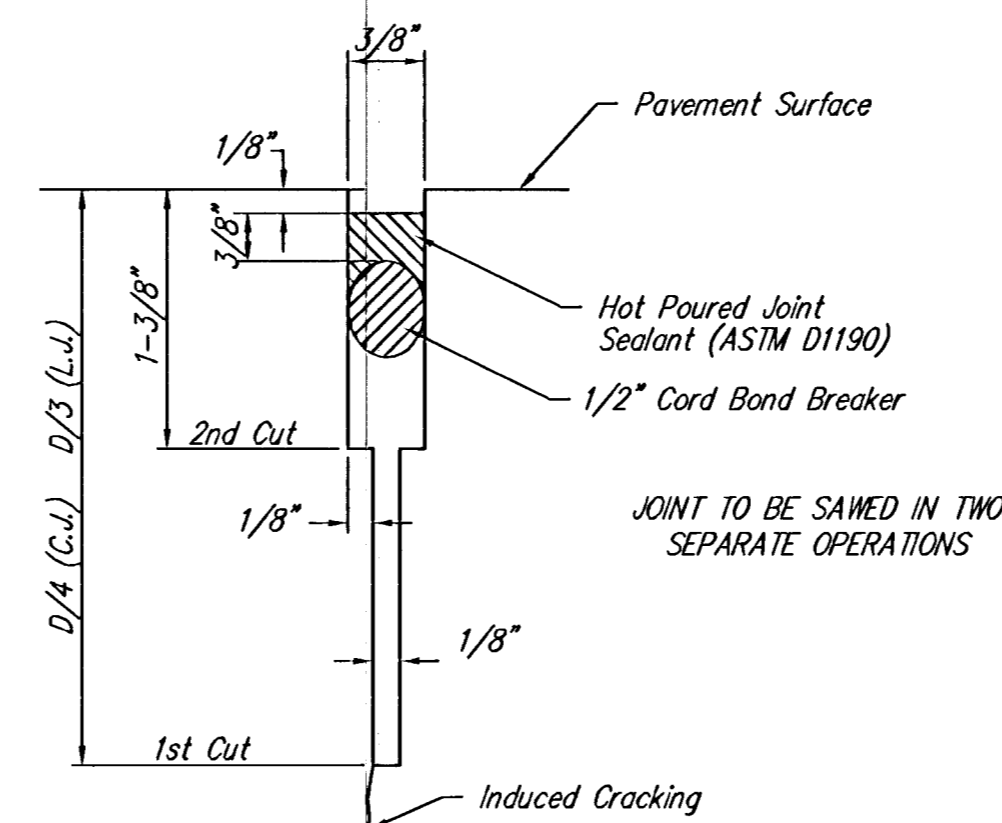
REINFORCED VALLEY GUTTER DETAIL



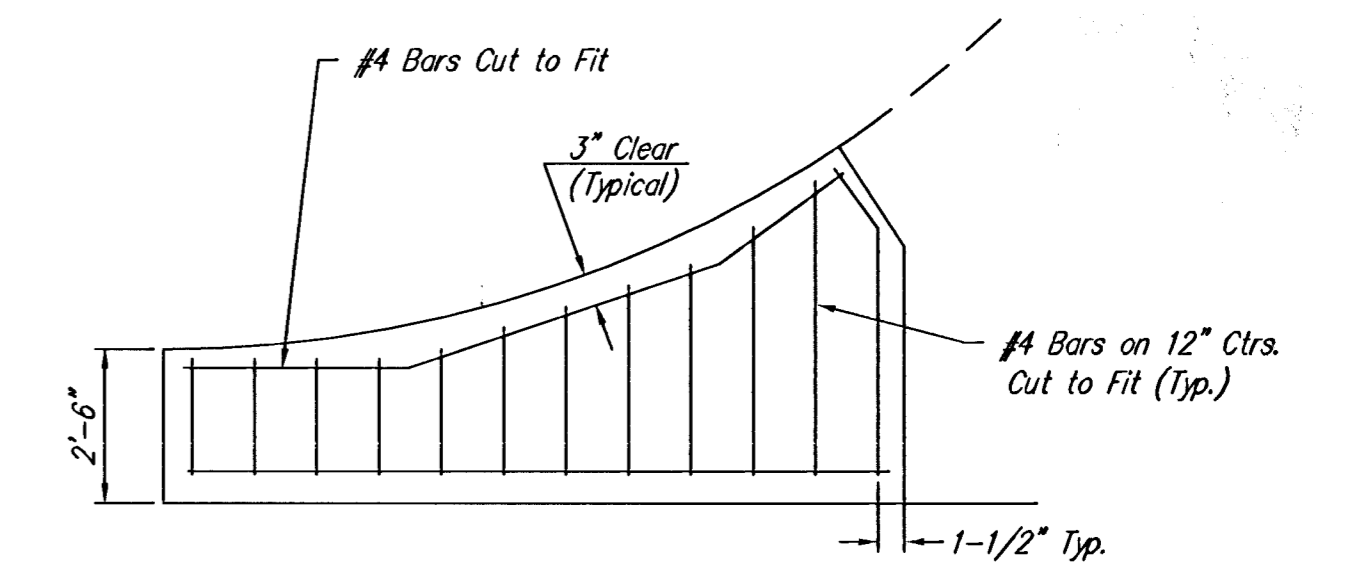
OPTIONAL LONGITUDINAL JOINT DETAIL (L.J.)



OPTIONAL CONTRACTION JOINT



SAW JOINT DETAIL



WING REINFORCING DETAIL

<p>THE CITY OF WICHITA</p>	VALLEY GUTTER DETAILS	
	JIM ARMOUR, P.E.-ACTING CITY ENGINEER	
	PROJECT NUMBER 472-84025	OCA NUMBER 765878
	DATE SEP 2004	SHEET 6 OF 50

G:\CIVIL\98118 DMG\PAV\PH_LB_98118ED3