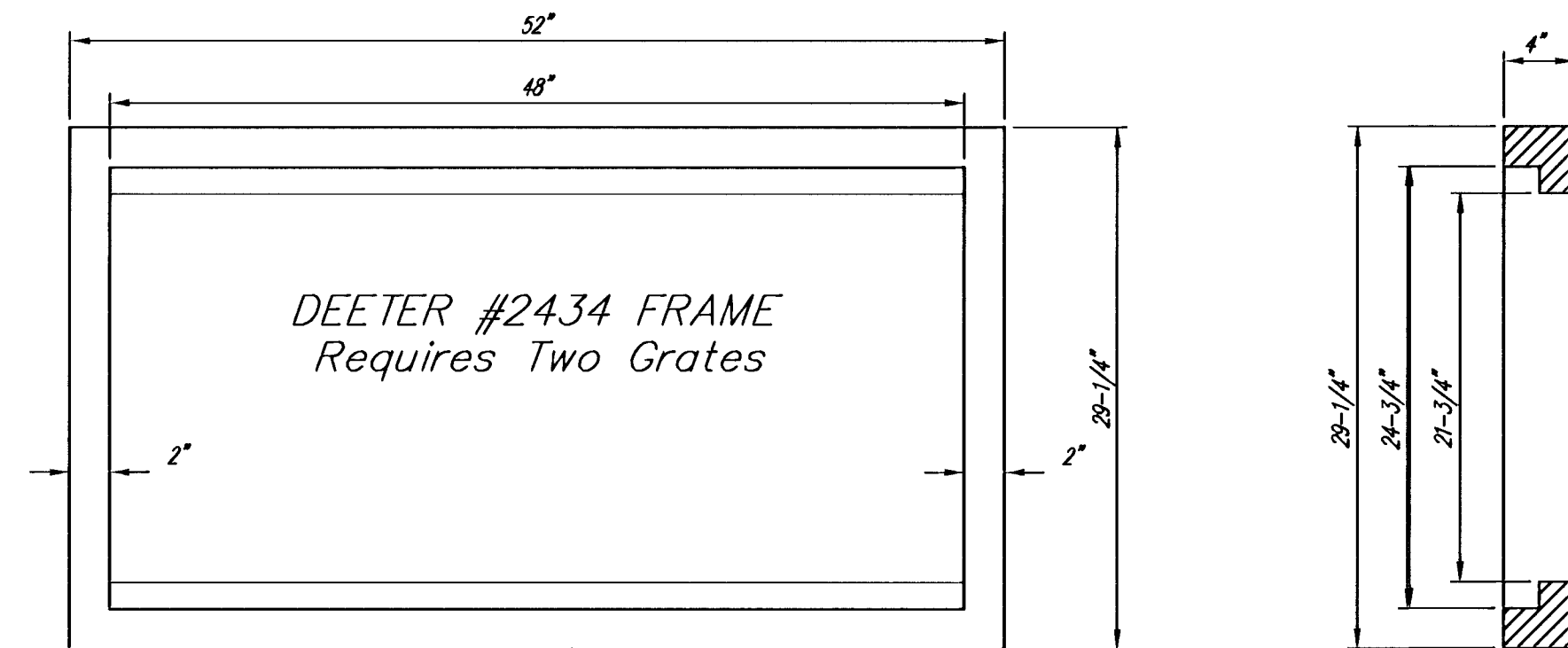


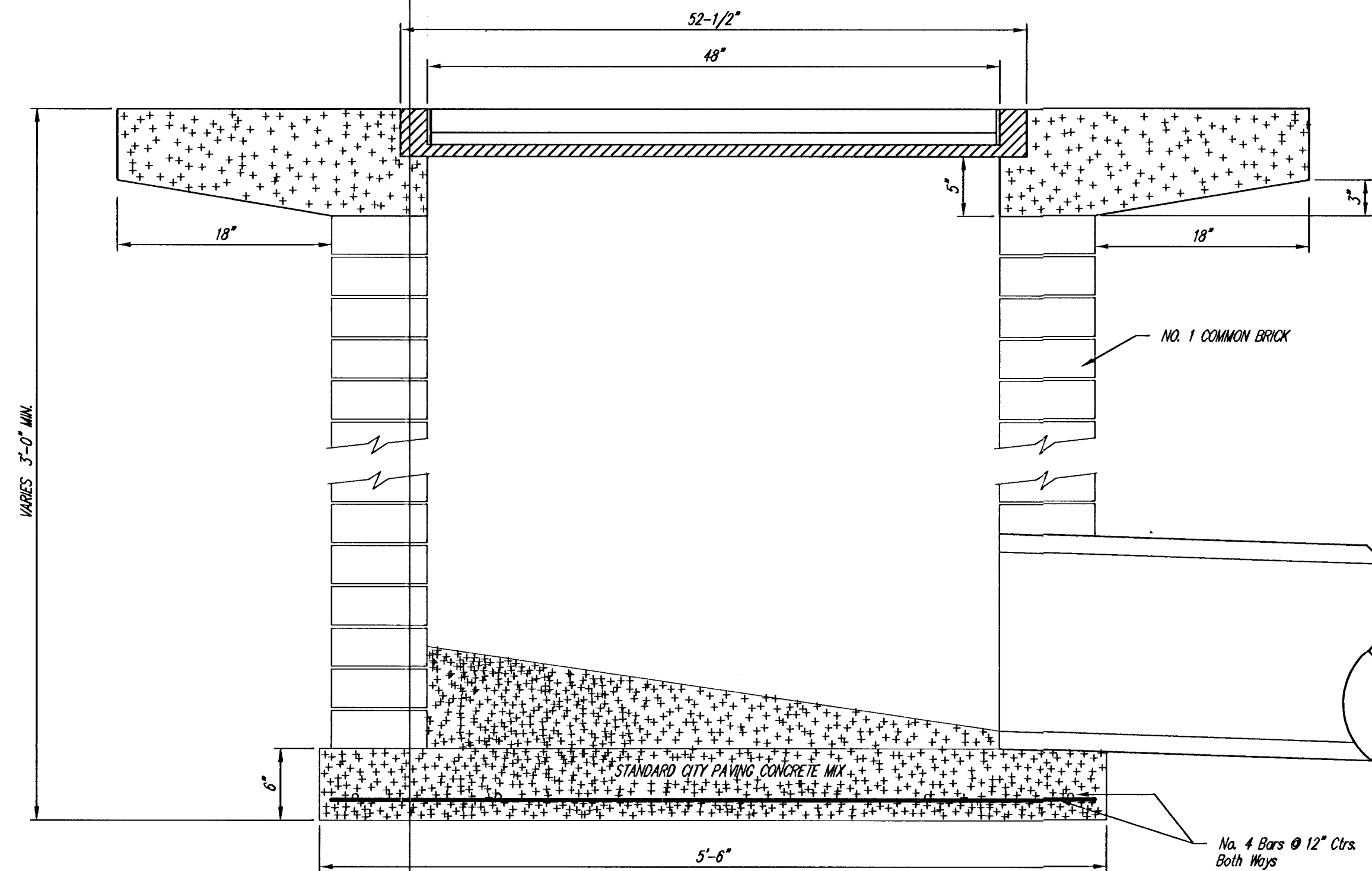
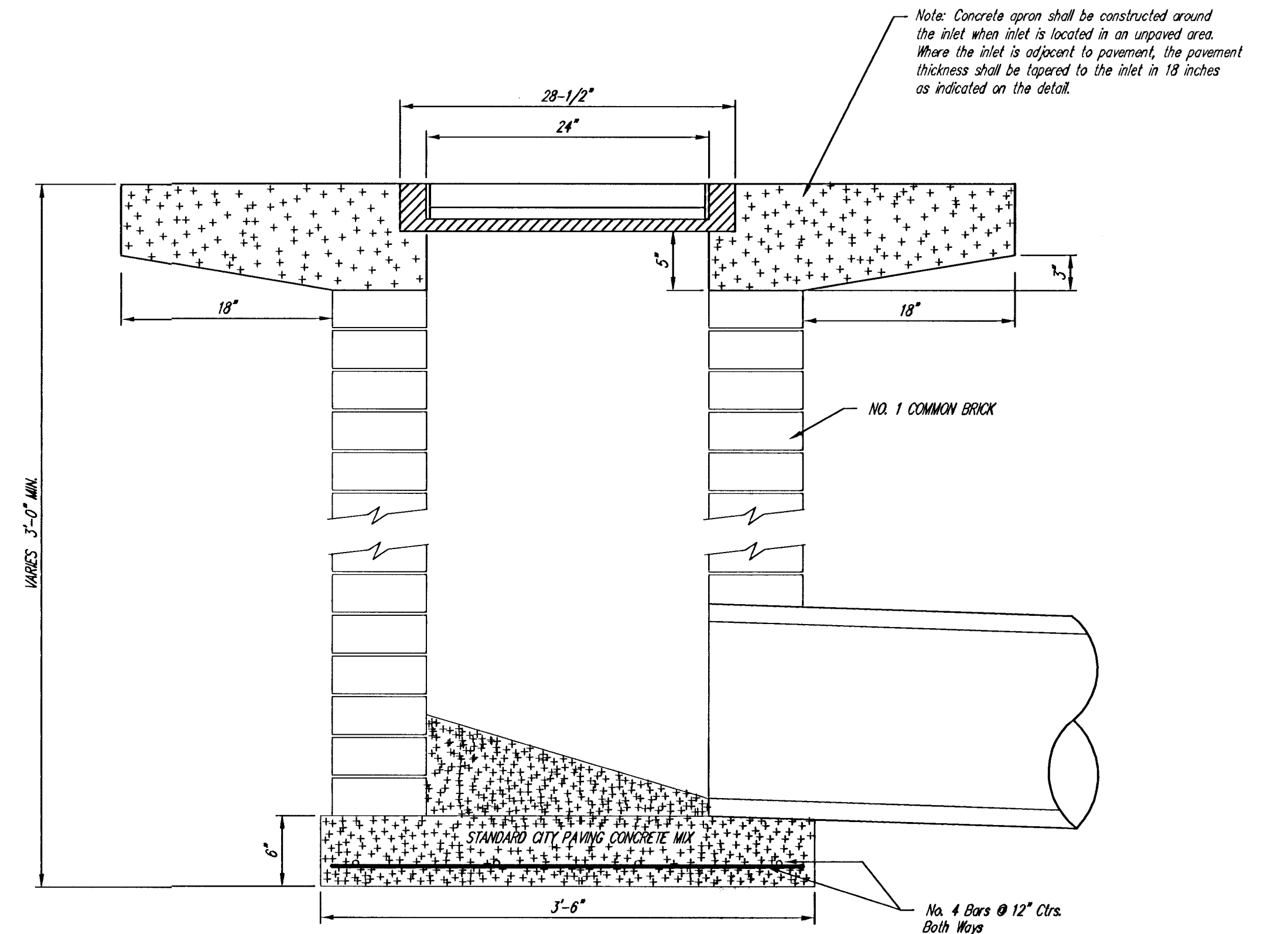
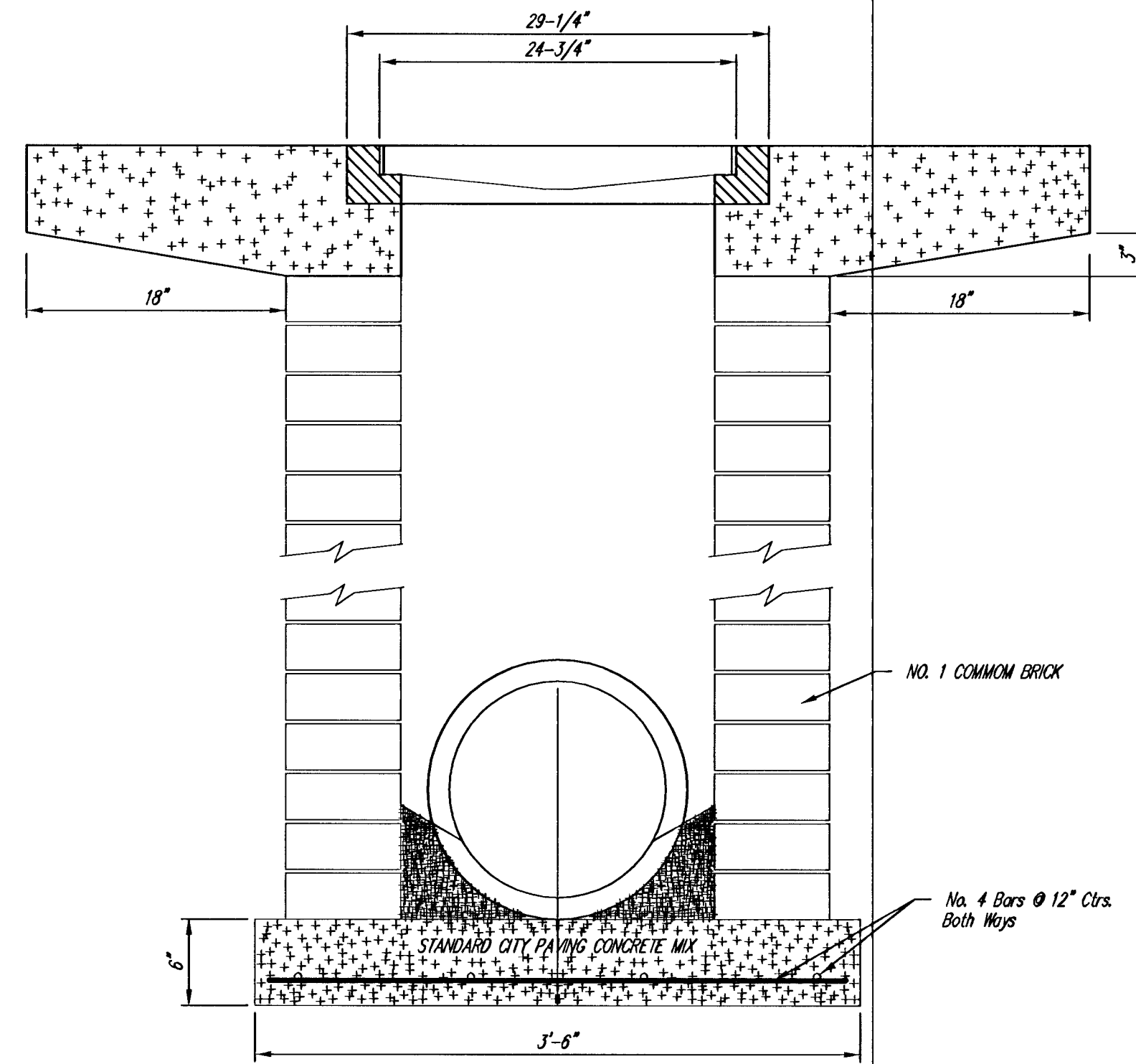
DEETER #2433 GRATE

24" x 24" Frame and Grate Detail

NOTE: Grates shall be imprinted on the top surface with "CITY OF WICHITA" using letters at least 1" in height. Other marking methods may be approved by the engineer.



Double 24" x 24" Frame Detail



<p>THE CITY OF WICHITA</p> <p>CITY ENGINEER'S OFFICE CITY HALL - SEVENTH FLOOR 455 NORTH MAIN STREET WICHITA, KANSAS 67202 (316) 268-4501 (316) 268-4114 FAX</p>	<b>DROP INLET</b>	
	<b>2' X 2' / 2' X 4'</b>	
	JIM ARMOUR, P.E.-ACTING CITY ENGINEER	
	PROJECT NUMBER 472-84025	INDEX CODE 765878
DATE SEP 04	SHEET 21 OF 50	