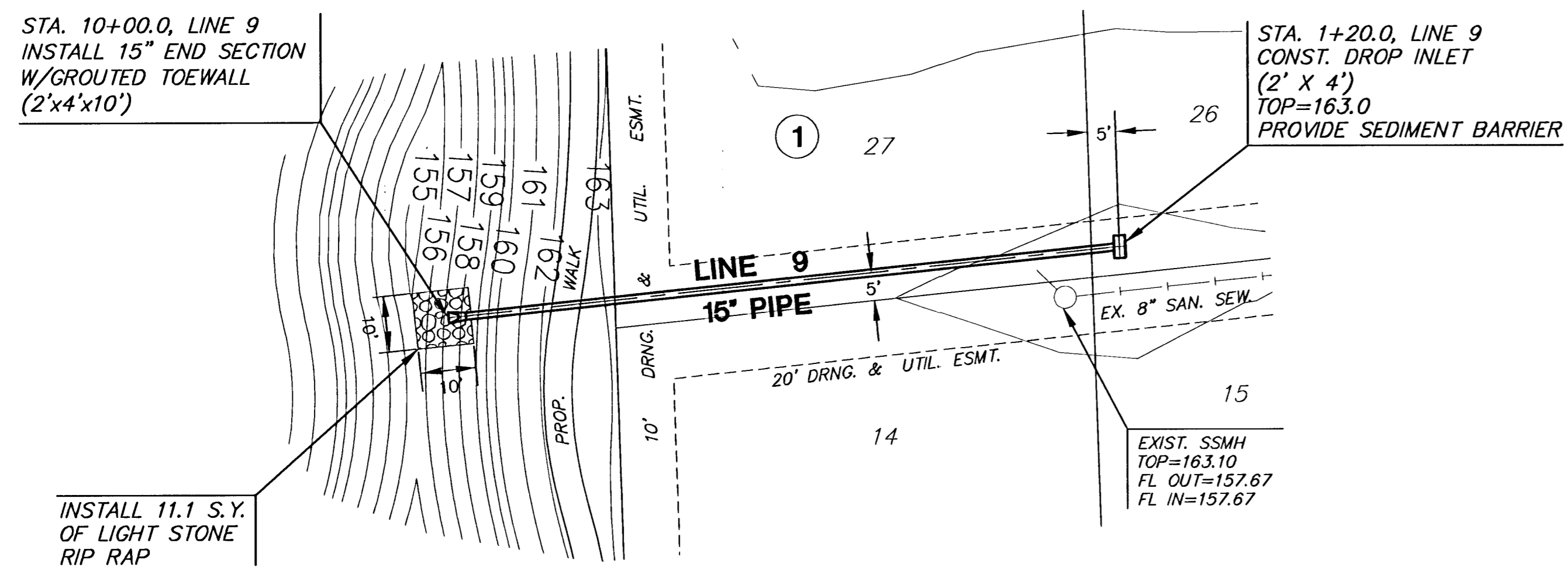


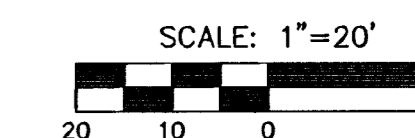
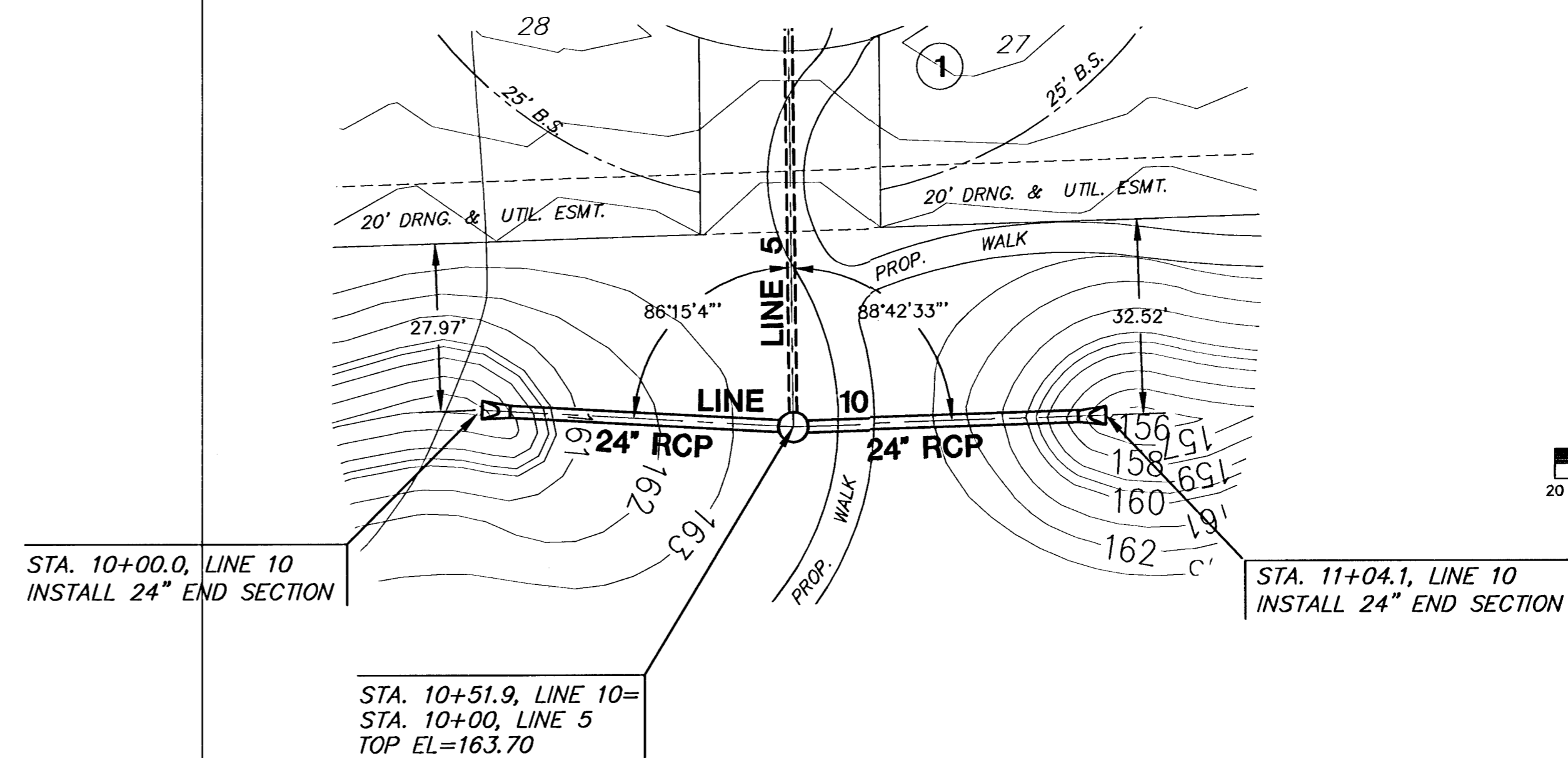
FOX RIDGE ADDITION



FOX RIDGE ADDITION

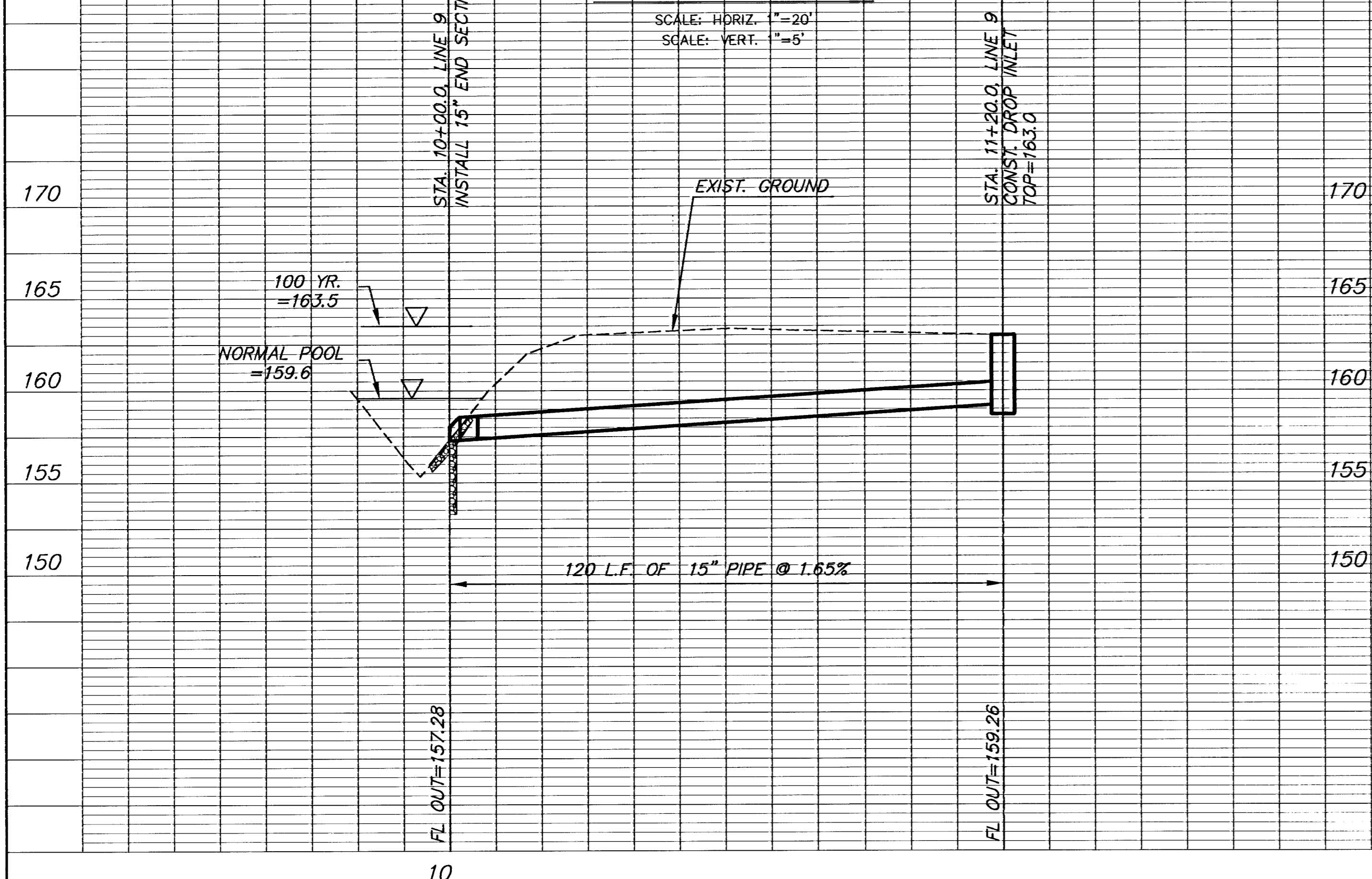
PLAN LINE 9

FOX RIDGE ADDITION



PLAN LINE 10

PROFILE LINE 9



PROFILE LINE 10

