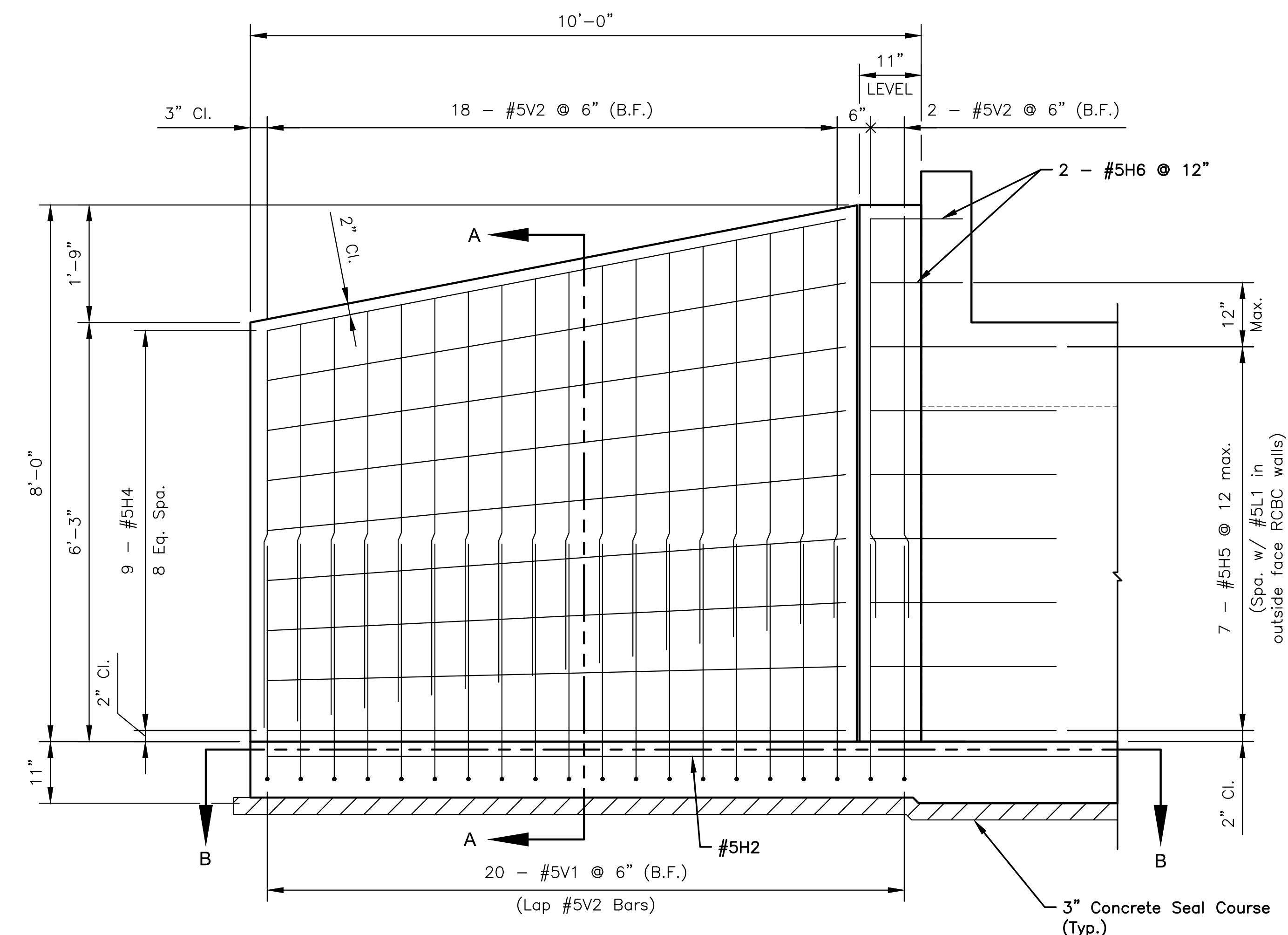
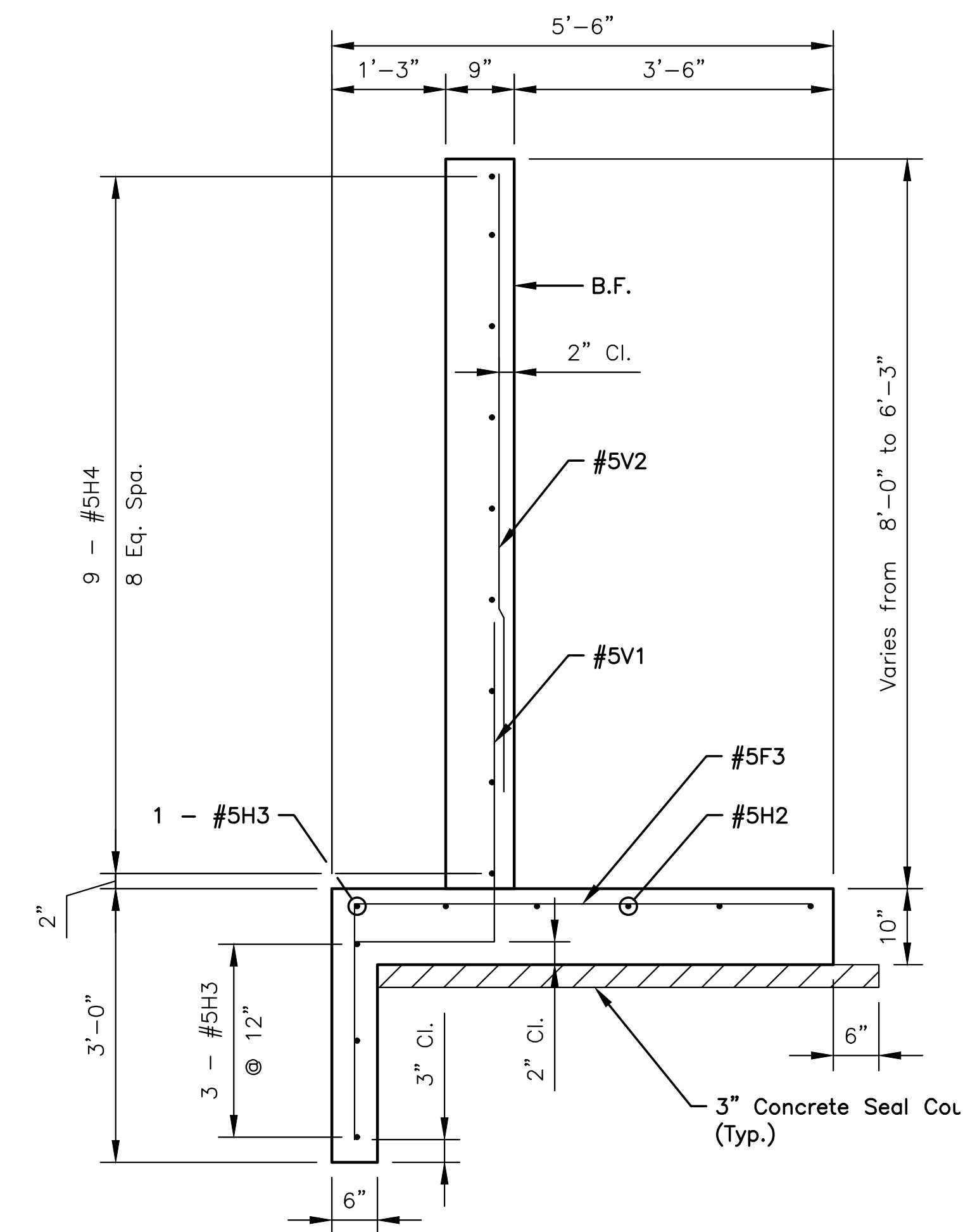


J:\PROJECTS\2018\1801010316\_COW\_DOUGLAS ST. BRIDGE AT BROOKSIDE\_180316\_CAD\SHOTS\06\_CIVIL\BRIDGE\18316-BR03.DWG  
 PLOTTED: Friday, July 26, 2019 @ 09:32AM



**WINGWALL ELEVATION**  
 (Phase 2 - S.E. Wingwall and Phase 3 - both Wingwalls)  
 (Back Face Shown)



**SECTION A-A**

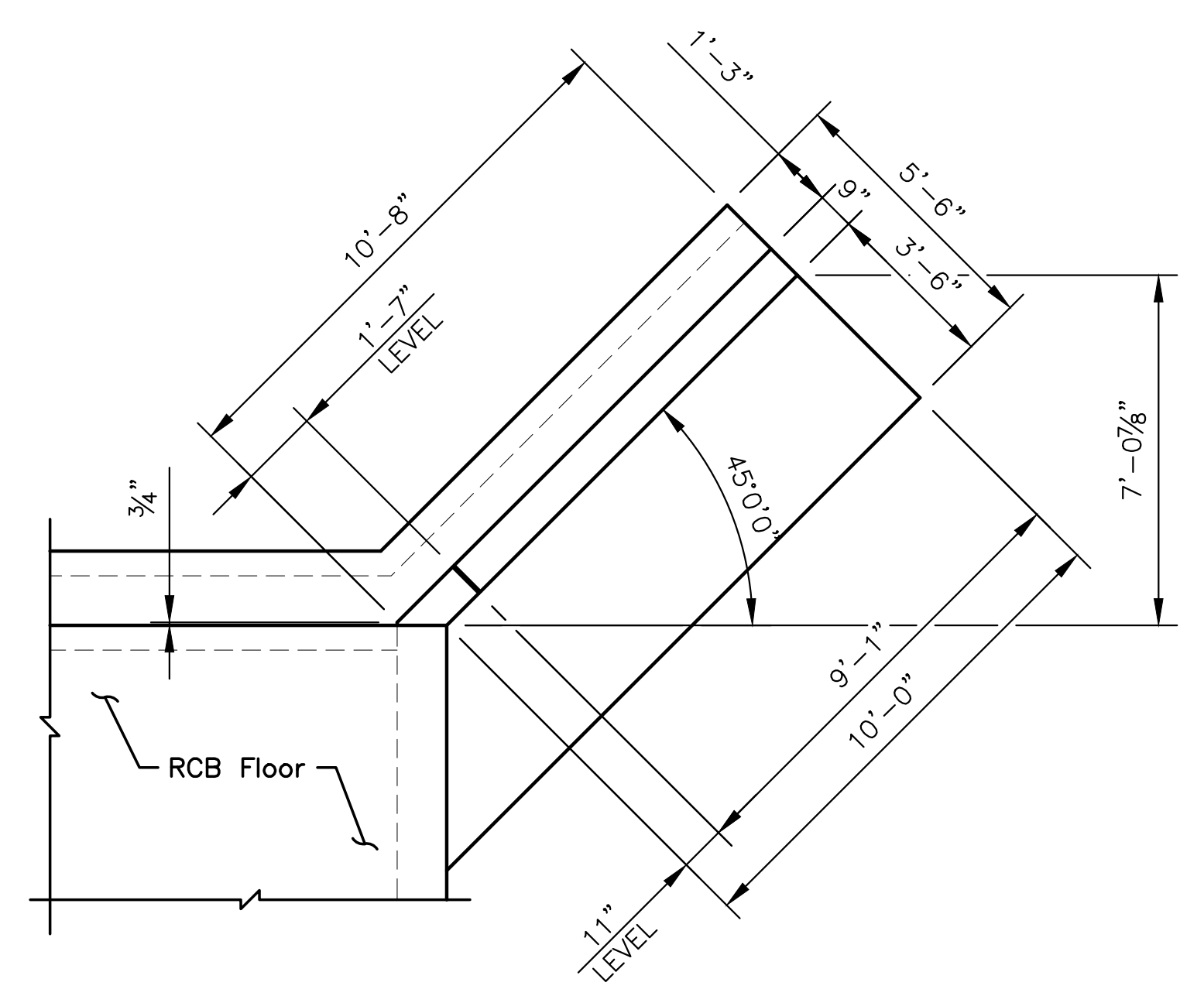
**WINGWALL GENERAL NOTES**

- DESIGN SPECIFICATION:** AASHTO LRFD Bridge Specifications, 8th Edition
- DESIGN LOADING:** HL-93
- UNIT STRESSES:** Grade 4.0 Concrete  $f'_c = 4,000$  p.s.i.  
 Reinforcing Steel:  $f_y = 60,000$  p.s.i.
- CONCRETE:** Grade 4.0 Concrete shall be used throughout. Bevel all exposed edges with a 3/4 inch triangular moulding. Prior to casting concrete against a previous casting, all concrete joint surfaces shall have a brush sandblast, power wash, and water soaked prior to casting.
- REINFORCING:** All reinforcing shall conform to ASTM A615, Grade 60. All dimensions relative to reinforcing steel shall be to centerline of bar unless otherwise noted.
- EXCAVATION:** Class III Excavation for RCBC Bridges shall be considered subsidiary to the bid item "Pipe, SWS, RCBC, (3-12'x5)", see "Bridge Excavation" sheet.
- SEAL COURSE:** A Seal Course is required. The Seal Course shall be unreinforced Concrete (Commercial Grade) to a minimum depth of 3 inches or as determined by the Engineer. Concrete for the seal course shall be considered subsidiary to the bid item "Pipe, SWS, RCBC, (3-12'x5)".
- QUANTITIES:** Wingwall Quantities include all quantities outside the neat lines of the box, excluding the hubguard.
- BACKFILL MATERIAL:** Use granular Backfill material meeting the requirements of SB-1, SB-2, SCA-2, SCA-3 or SCA-5. Backfill all wings to limits shown on the "RCB Auxiliary Sheet".
- FILTER FABRIC:** Separate in-situ material from granular backfill with approved filter fabric complying with Section 1710 of the KDOT Standard Specifications.
- GRANULAR BACKFILL (WINGWALLS):** See the "Auxiliary Details" sheet.

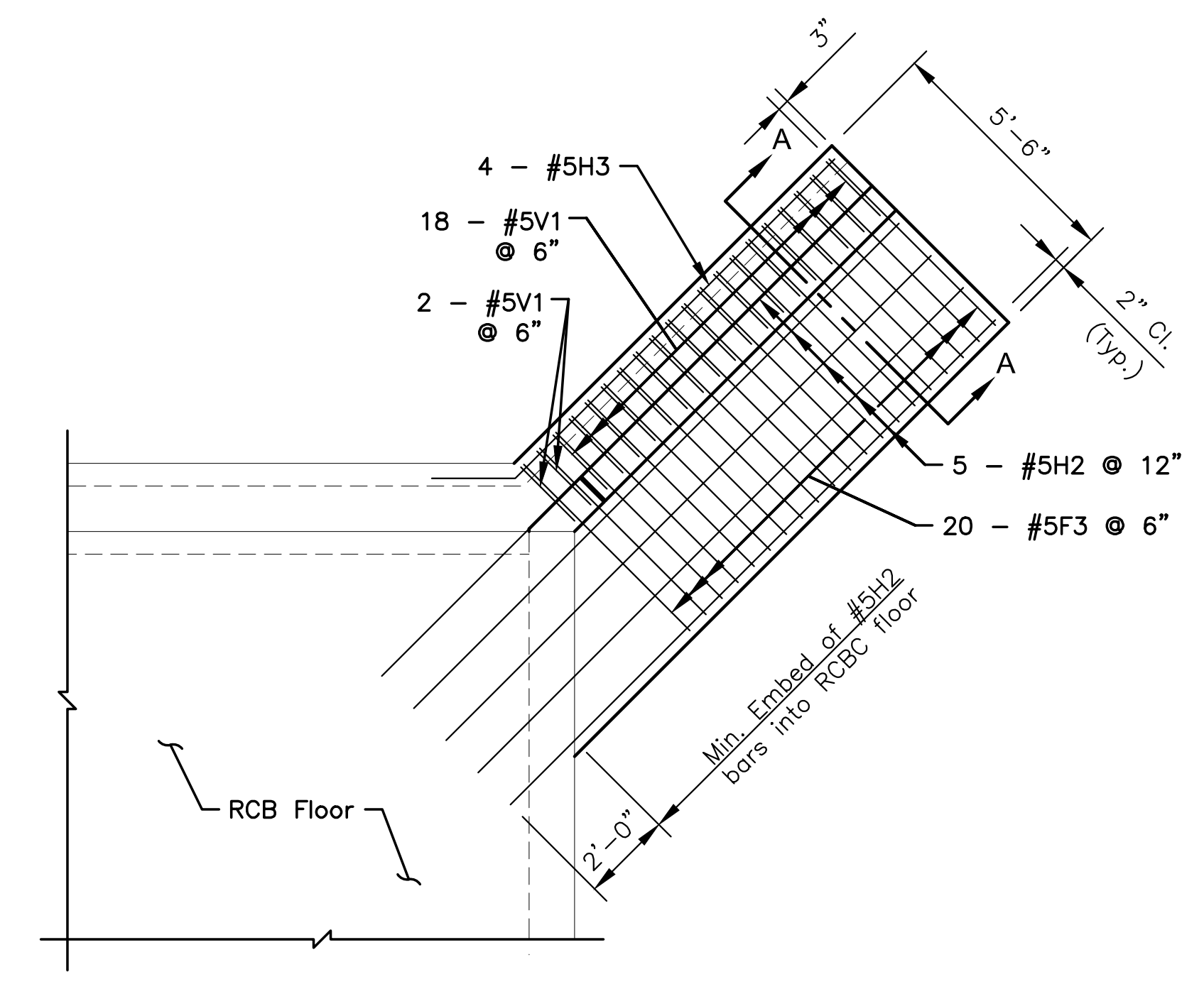
FOR INFORMATION ONLY

SUMMARY OF QUANTITIES - PHASE 3 (Wingwalls Only)	
Concrete (Grade 4.0)	9.0 C.Y.
Reinforcing Steel (Gr. 60)(Epoxy-Coated)	1,300 Lbs.
Class III Excavation	85.4 C.Y.
Concrete for Seal Course	1.2 C.Y.
Granular Backfill (Wingwalls)	62.6 C.Y.

Note: Quantities shown are for information only. All labor, materials, and equipment required for construction of RCBC shall be considered subsidiary to the bid item "Pipe, SWS, RCBC (3-12'x5)".



**WING DIMENSIONS (TYP.)**  
 (Phase 2 - S.E. Wingwall and Phase 3 - both Wingwalls)



Note: See Wingwall Joint Detail for additional Dimension.

**SECTION B-B**



CONSTRUCTION PLANS FOR  
**DOUGLAS STREET BRIDGE AT BROOKSIDE**  
 WICHITA, KS

©2019 MKEC Engineering All Rights Reserved www.mkec.com  
 These drawings and their contents, including, but not limited to, all concepts, designs, & ideas are the exclusive property of MKEC Engineering (MKEC), and may not be used or reproduced in any way without the express consent of MKEC.

**FLARED WINGWALL  
 (SHEET 1 OF 3)**

PROJECT NO.	472-85436
DATE	JULY 2019
SCALE	N.T.S.
DESIGNED	J.T.H.
DRAWN	J.D.H.
CHECKED	J.T.H.

NO.	REVISION	DATE