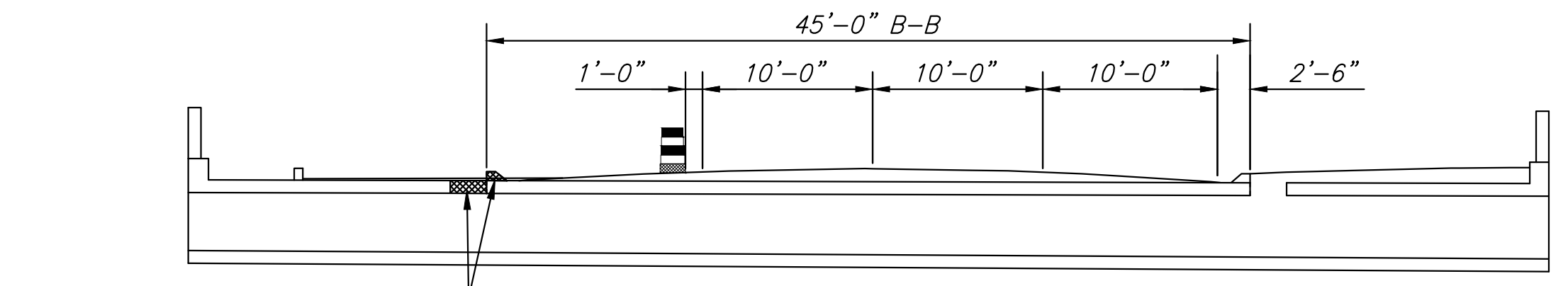
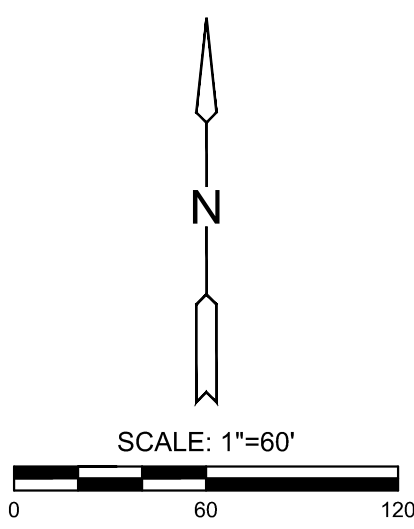


TRAFFIC CONTROL PLAN - PHASE 1



REMOVE CURB AND GUTTER. PATCH INLET HOLES AND CONSTRUCT TEMPORARY ASPHALT PAVEMENT AND DRAINAGE FLUMES.

TRAFFIC CONTROL - PHASE 1 SECTION



- LEGEND**
- >>> Arrow Display
 - ||||| Type III Barricade
 - Mount on Type III Barricade
 - Channelizer
 - Temporary Concrete Safety Barrier
 - ▨ Work Area
 - Traffic Flow
 - ▲ Temporary Concrete Safety Barrier
 - Temporary Asphalt Pavement

CONSTRUCTION PLANS FOR
DOUGLAS STREET BRIDGE AT BROOKSIDE
WICHITA, KS

©2019 MKEC Engineering All Rights Reserved www.mkec.com
These drawings and their contents, including, but not limited to, all concepts, designs, & ideas are the exclusive property of MKEC Engineering (MKEC), and may not be used or reproduced in any way without the express consent of MKEC.

TRAFFIC CONTROL PLAN - PHASE 1

PROJECT NO.	472-85436	
DATE	JULY 2019	
SCALE	1"=60'	
DESIGNED	DRAWN	CHECKED
JRA	WNJ	JRA

NO.	REVISION	DATE