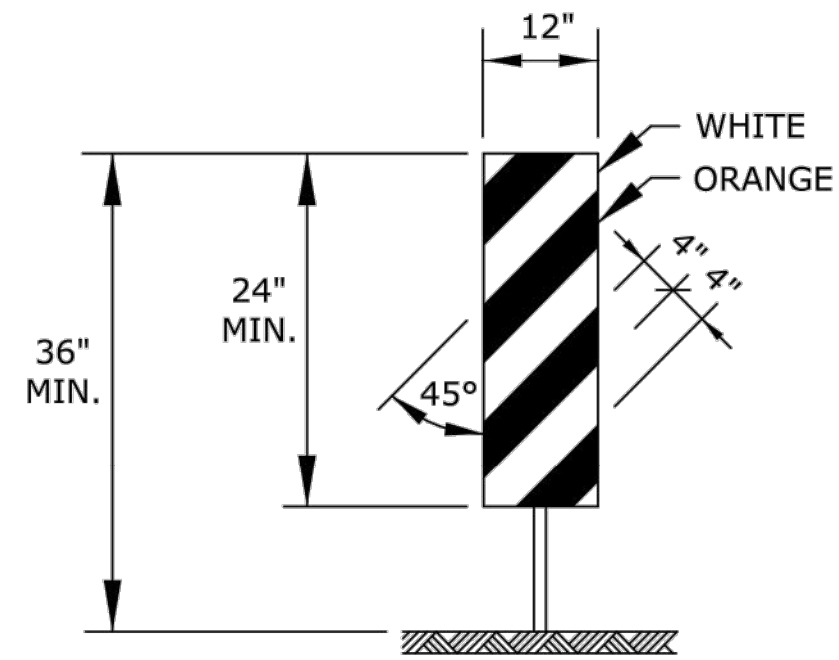


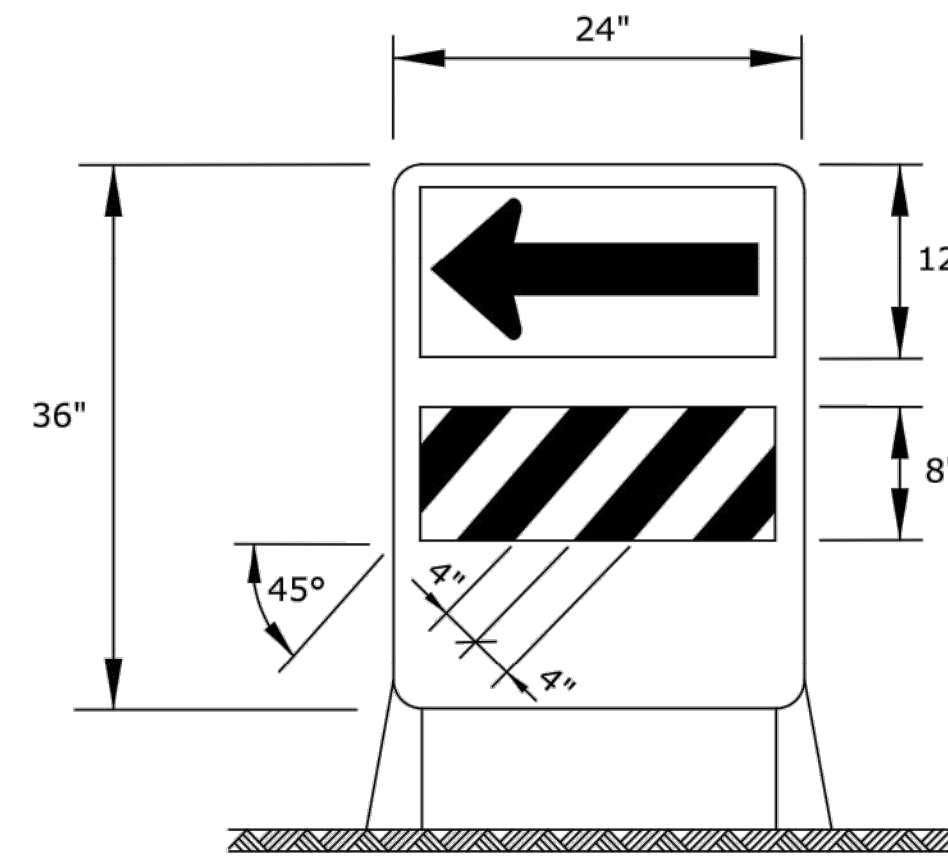
TYPE 2 BARRICADE

For rails less than 36" long, 4" wide stripes may be used. All stripes shall slope downward to the traffic side for channelization.



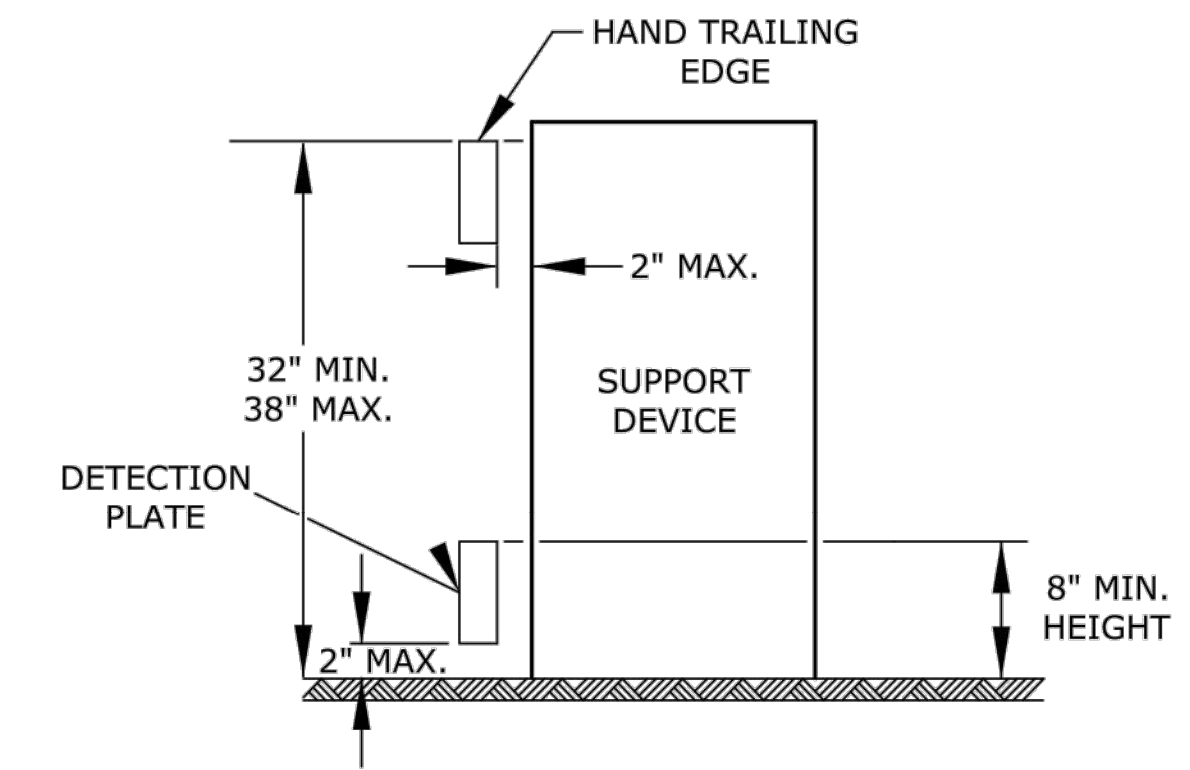
VERTICAL PANEL

The stripes shall slope downward to the traffic side for channelization.



DIRECTION INDICATOR BARRICADE

The stripes shall slope downward in the direction traffic is to pass. The direction indicator barricade shall be used in series to direct the motorist into the intended lane of travel.



PEDESTRIAN CHANNELIZER

1. Support device shall not project beyond the detection plate into the pathway.
2. Hand trailing edges and detection plates are optional for continuous walls.
3. Interconnect pedestrian channelizers to prevent displacement and to provide continuous guidance through or around work.
4. Alternate pathways shall be firm, stable, and slip resistant.
5. Treat height differentials > 1/2" in the surfaces of alternate paths with a firm, stable, and slip resistant temporary ramp having a slope of 12:1 or flatter and having a width equal to the alternate path.
6. Use alternating orange/white on interconnected devices.

| ITEM | LOCATION | LOCATION | | | | | | | | |
|----------|-------------------------------|-------------|--------------------|----------|--------|-------|--------------|-------------------|-----------------|-------|
| | | Cross-overs | Shoofly Diversions | Tangents | Tapers | Ramps | Head to Head | Object Identifier | Lead-in Devices | Gores |
| PORTABLE | Drums | Yes | Yes | Yes | Yes | Yes | (1) | Yes | Yes | Yes |
| | Conical Delineators | Yes | Yes | Yes | Yes | Yes | (1) | Yes | Yes | Yes |
| | Vertical Panels | (2) | (2) | (2) | (2) | (2) | (1,2) | YES | (2) | (2) |
| | Direction Indicator Barricade | NO | NO | NO | Yes | NO | NO | NO | NO | NO |
| | Type 2 Barricade | (2) | (2) | (2) | (2) | NO | NO | Yes | NO | NO |
| | Traffic Cones | NO | NO | (4) | (4) | (4) | NO | (4) | (4) | (4) |
| FIXED | Tubular Markers | (3) | (3) | (3) | NO | (3) | Yes | NO | Yes | Yes |
| | Vertical Panels | (3) | (3) | (3) | (3) | (3) | (3) | Yes | (2,3) | (2) |

- (1) Not allowed on centerline delineation along freeways or expressways.
- (2) The stripes shall slope downward to the traffic side for channelization.
- (3) May be used upon the approval of the engineer.
- (4) Daytime operations only.

| 3 | | | | | |
|-----|------|-----------|----|-------|--|
| 2 | | | | | |
| 1 | | | | | |
| NO. | DATE | REVISIONS | BY | APP'D | |

KANSAS DEPARTMENT OF TRANSPORTATION

TRAFFIC CONTROL CHANNELIZING DEVICES

TE702

| | | | | | |
|------------|------------|-----------|----------|--------|-------------------|
| DESIGNED | L.E.R. | DATE | 06/01/15 | APP'D | Kristina Ericksen |
| DESIGN CK. | DETAIL CK. | QUAN. CK. | | TRACED | |