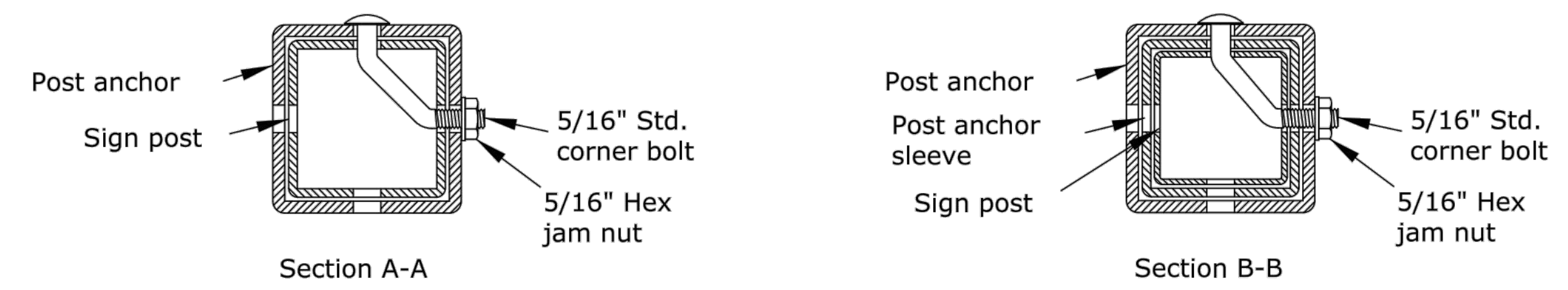
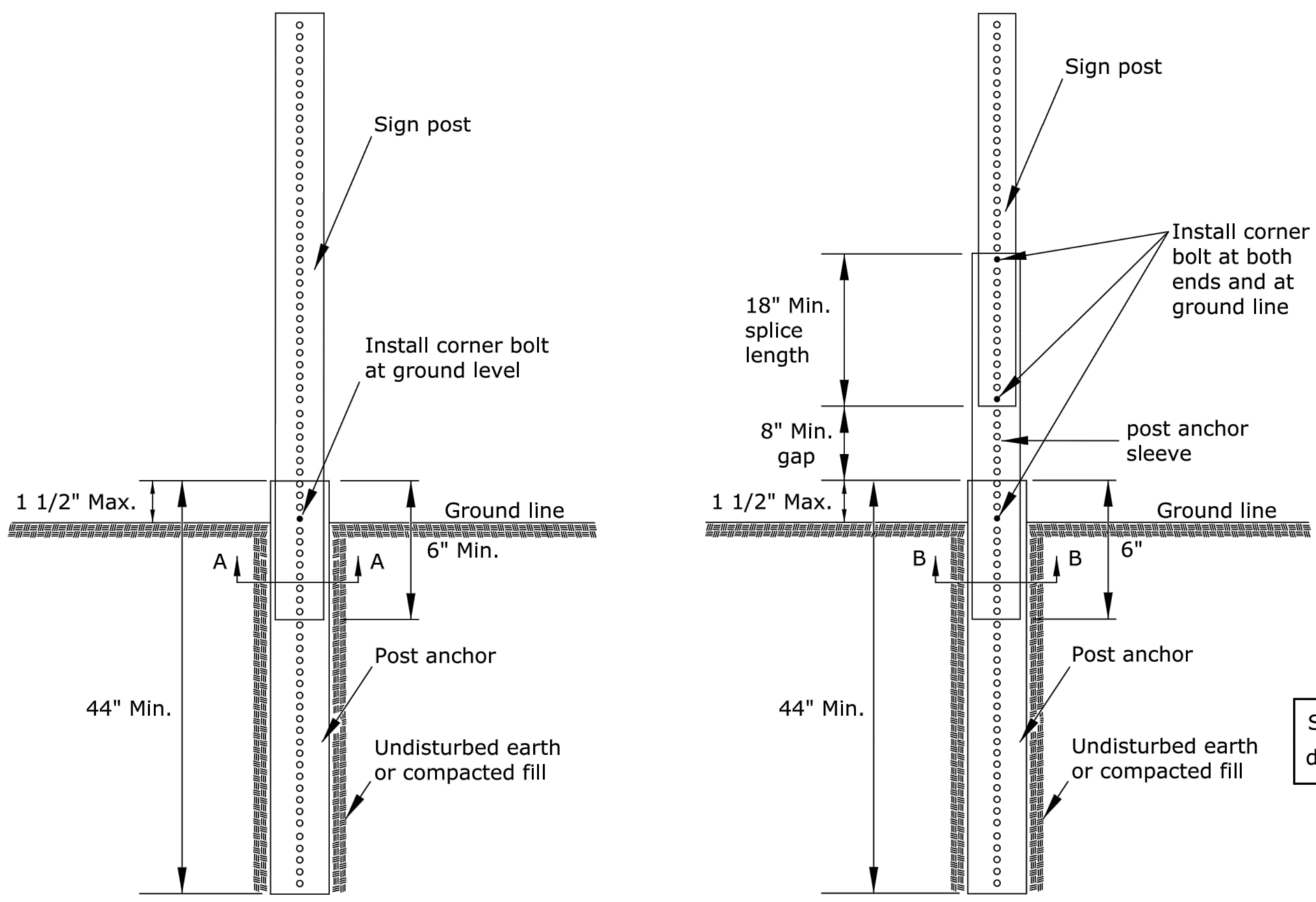
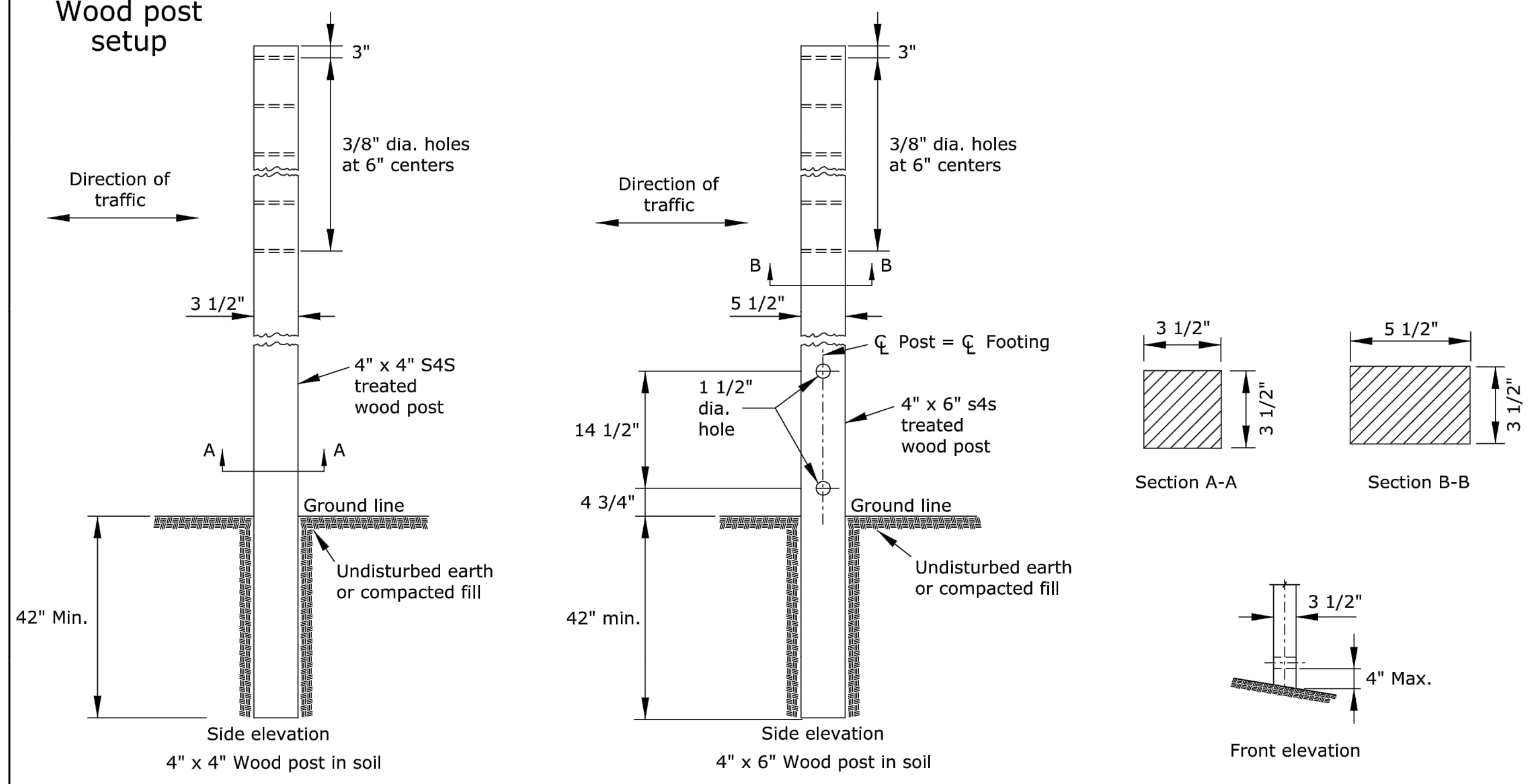


Perforated square steel tube (P.S.S.T.) post setup



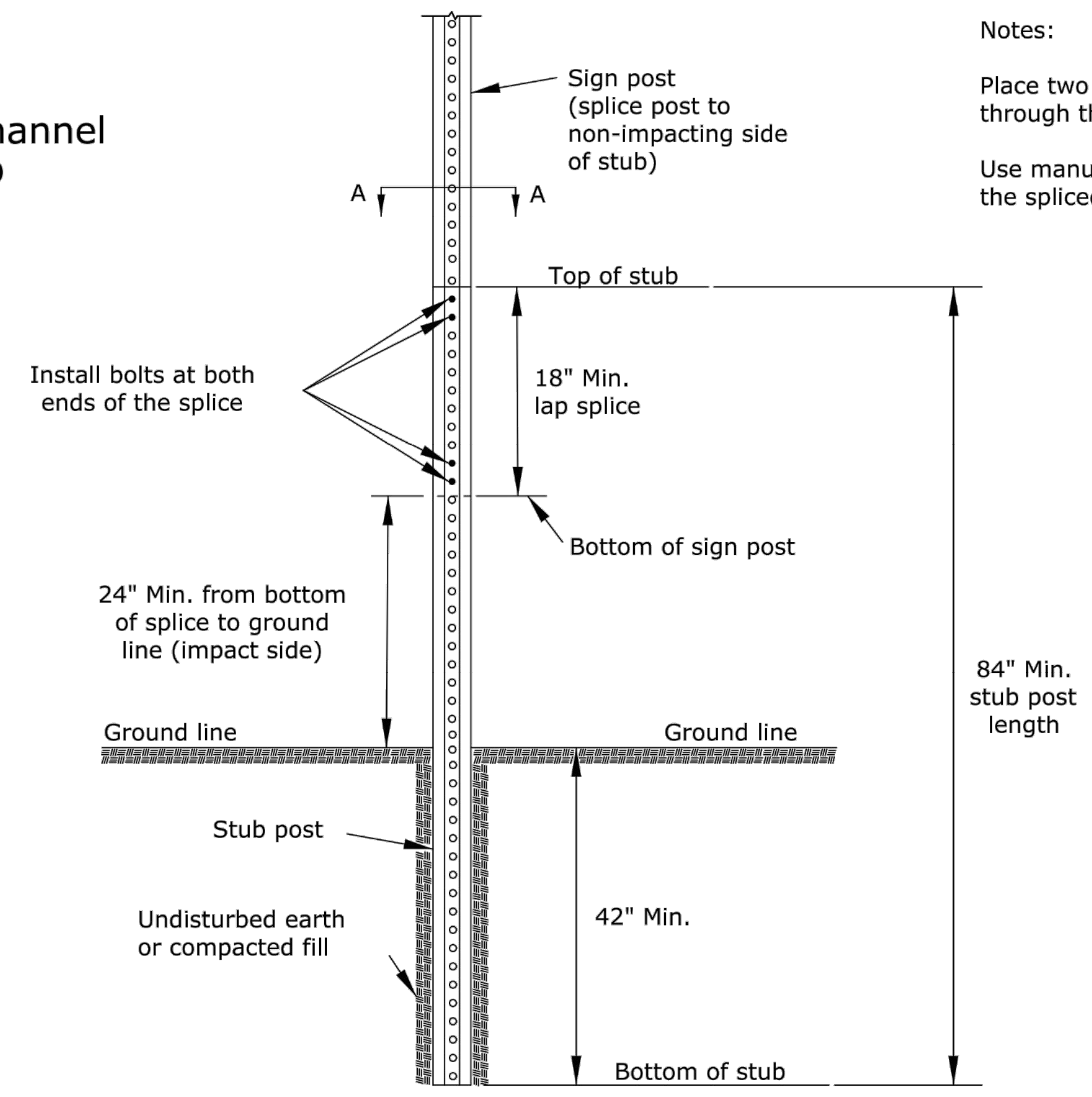
Details for 2", 2 1/4", or 2 1/2" sign posts  
 Place bolts in the same corner along each sign post.

Wood post setup

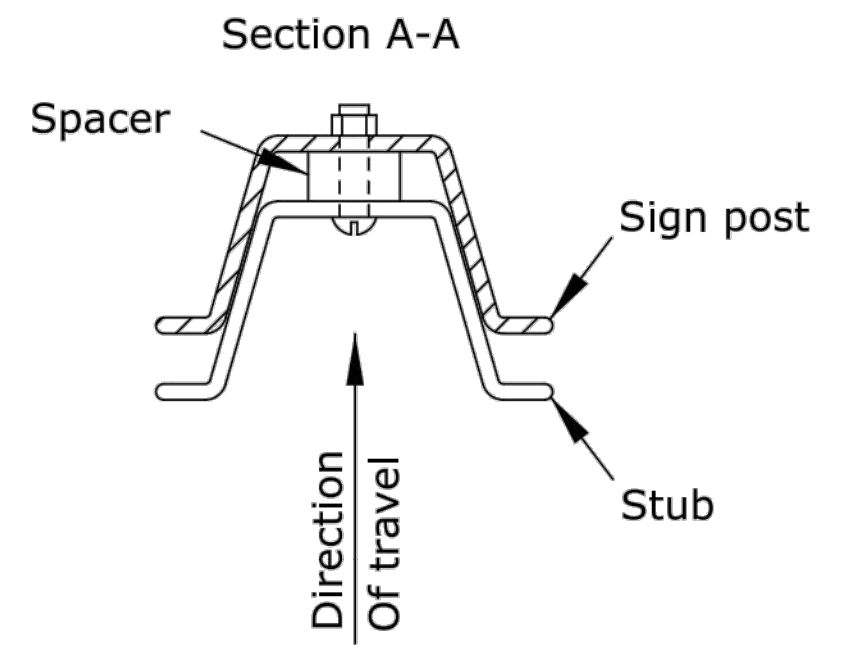


See TE710 for additional details and requirements

3 lb/f U-Channel setup



Notes:  
 Place two bolts at both ends of the splice through the holes nearest the ends of the splice.  
 Use manufacturer recommended spacers over the bolts between the spliced pieces of U-Channel.



3					
2					
1					
NO.	DATE	REVISIONS	BY	APP'D	
KANSAS DEPARTMENT OF TRANSPORTATION					
TRAFFIC CONTROL SIGN POSTS					
TE712					
DESIGNED	B.A.H	DATE	06/01/15	APP'D	Kristina Pyle
DESIGN CK.		DETAIL CK.		R.W.B. QUANTITIES	TRACED
				QUAN. CK.	TRACE CK.