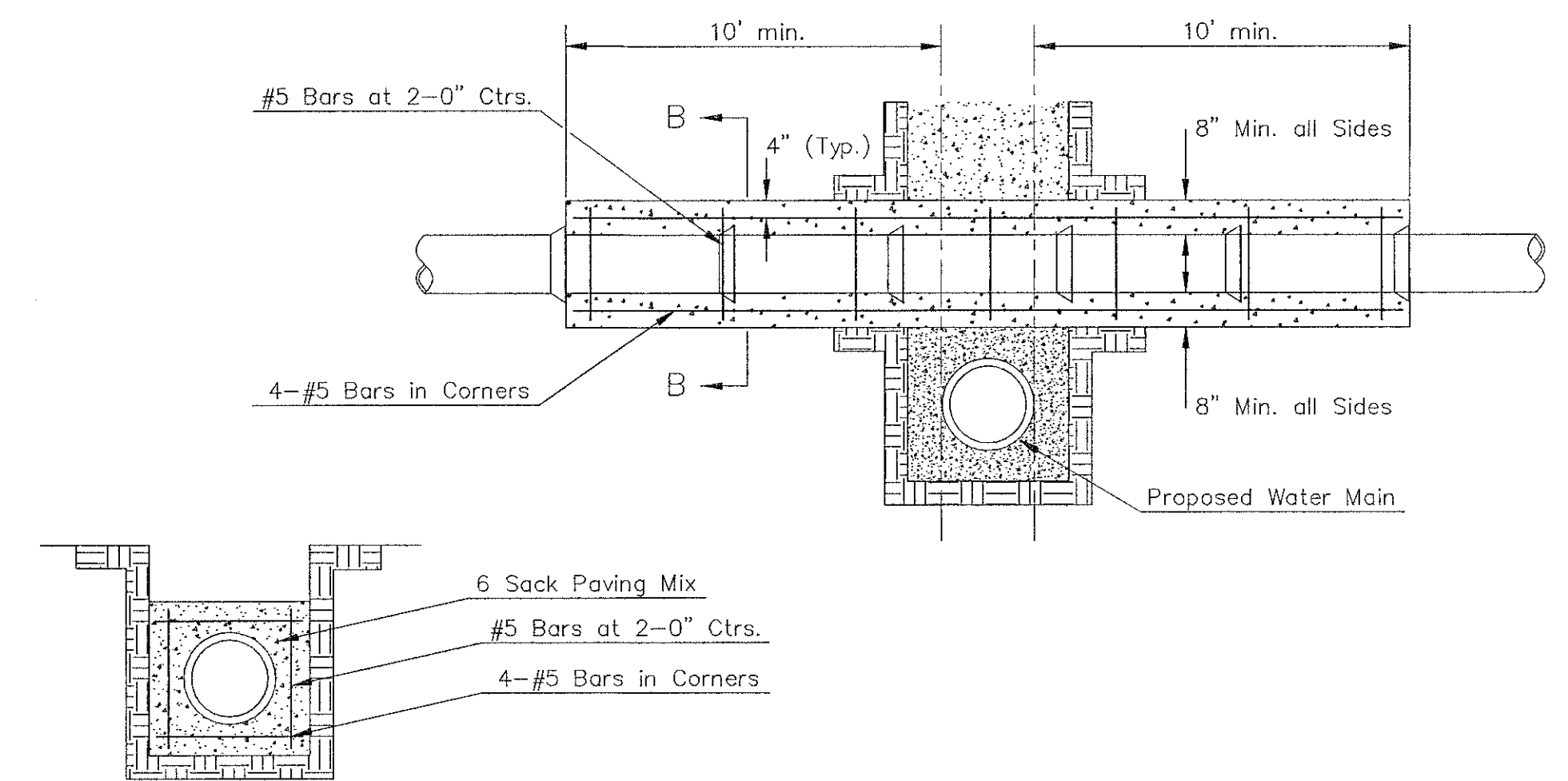


TRENCH COMPACTION IN ROAD RIGHT-OF-WAY

SIDE VIEW



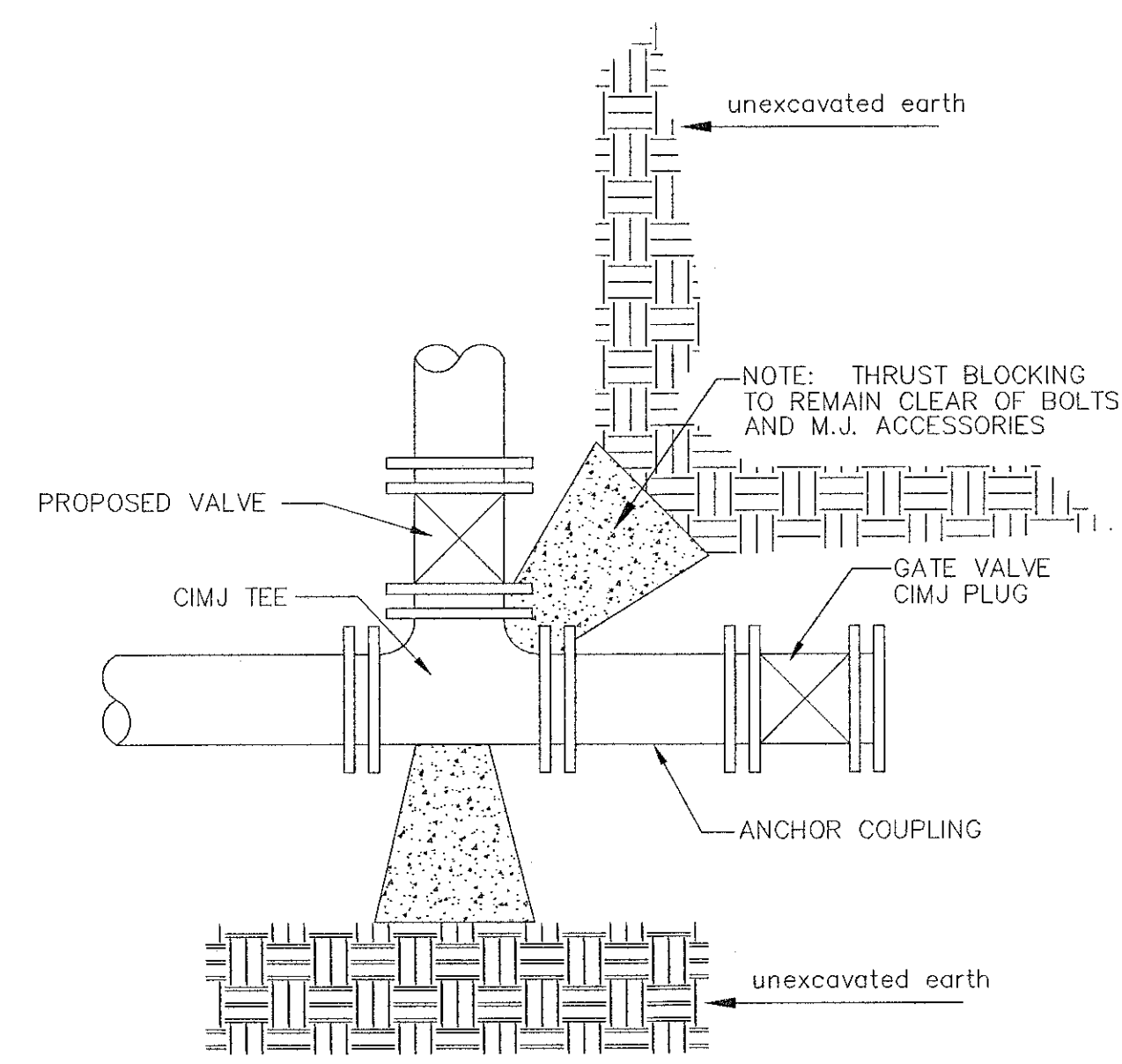
Note: Encasement to begin and end at a Bell on Sanitary Sewer Pipe.

SECTION B-B

REINFORCED CONCRETE ENCASEMENT OF SANITARY SEWER

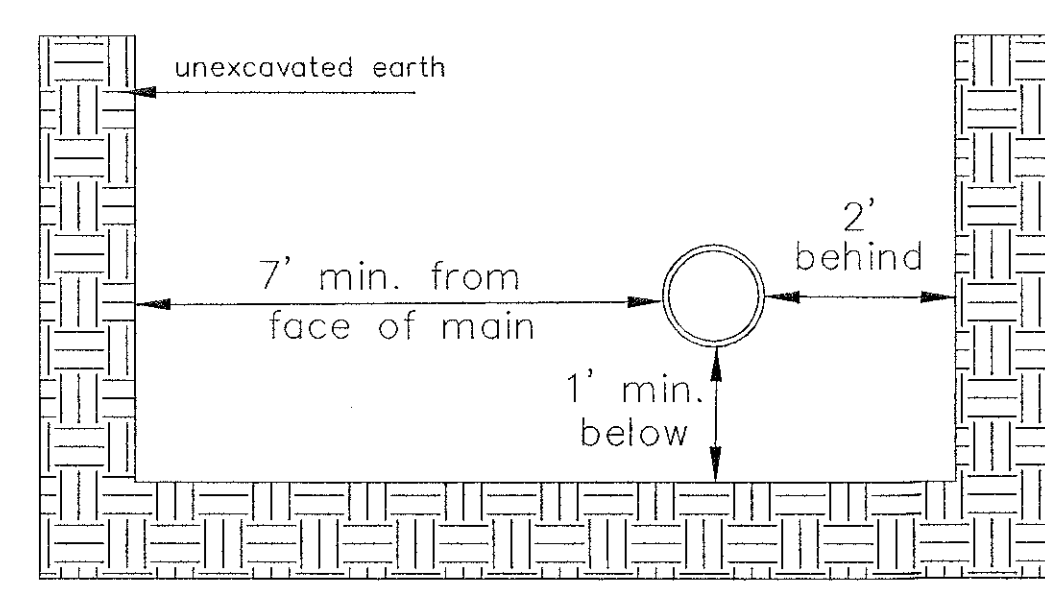
PIPE SIZE	THRUST AT FITTINGS IN TONS--AT 150#/IN ² P					
	PLUG	90°	45°	22 1/2°	11 1/4°	TEE
6"	2.8	3.95	2.15	1.09	.55	2.8
8"	4.9	6.95	3.75	1.90	.96	4.9
12"	11.4	16.1	8.75	4.45	2.25	11.4
16"	20.15	28.5	15.4	7.85	3.95	20.15
20"	31.15	44.0	23.85	12.15	6.10	31.15
24"	44.55	63.0	34.1	17.4	8.75	44.55

TYPICAL THRUST BLOCKS



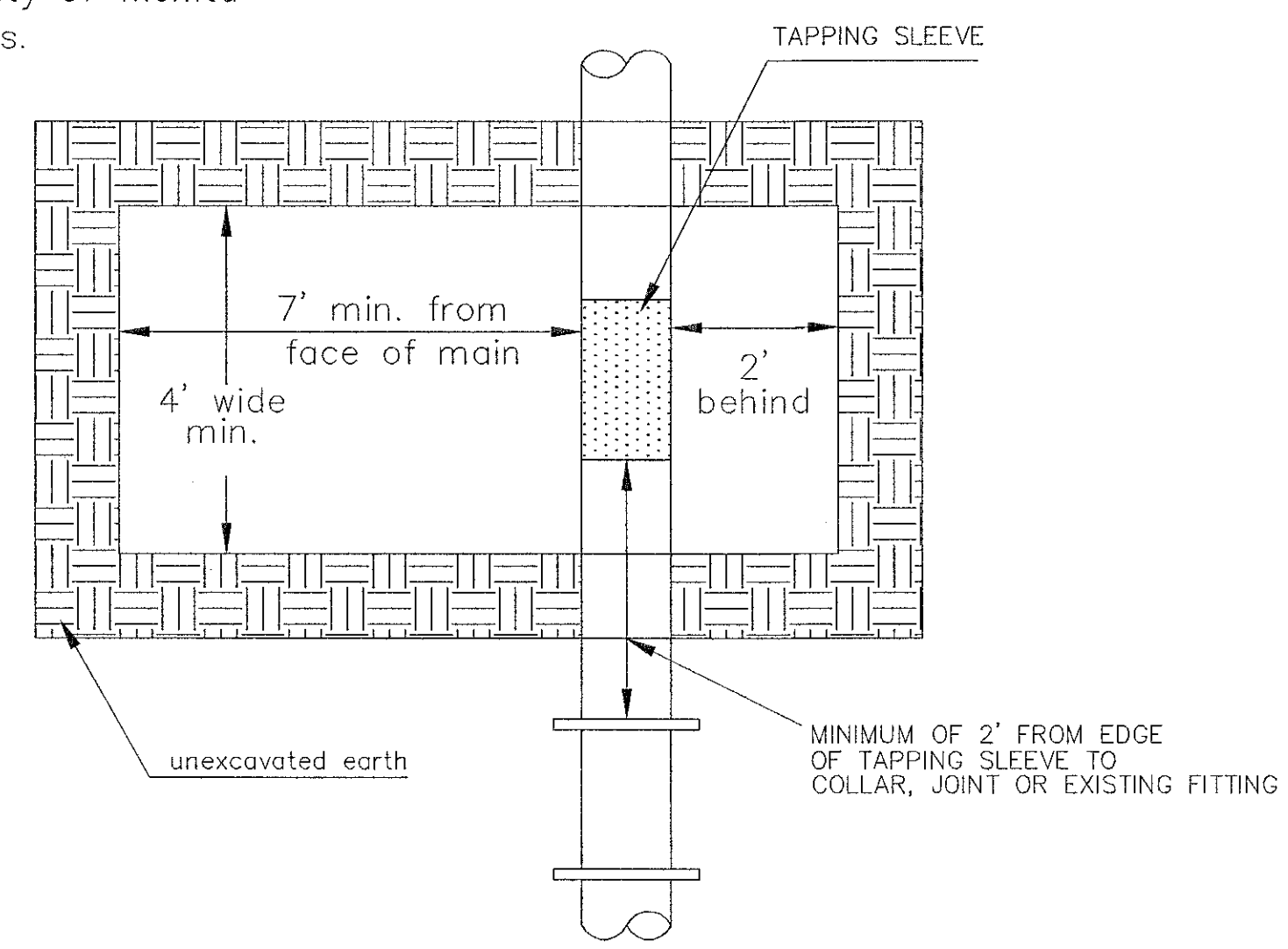
KEY BLOCK DETAIL

* PLANS GOVERN UNLESS OTHERWISE NOTED ON PLANS

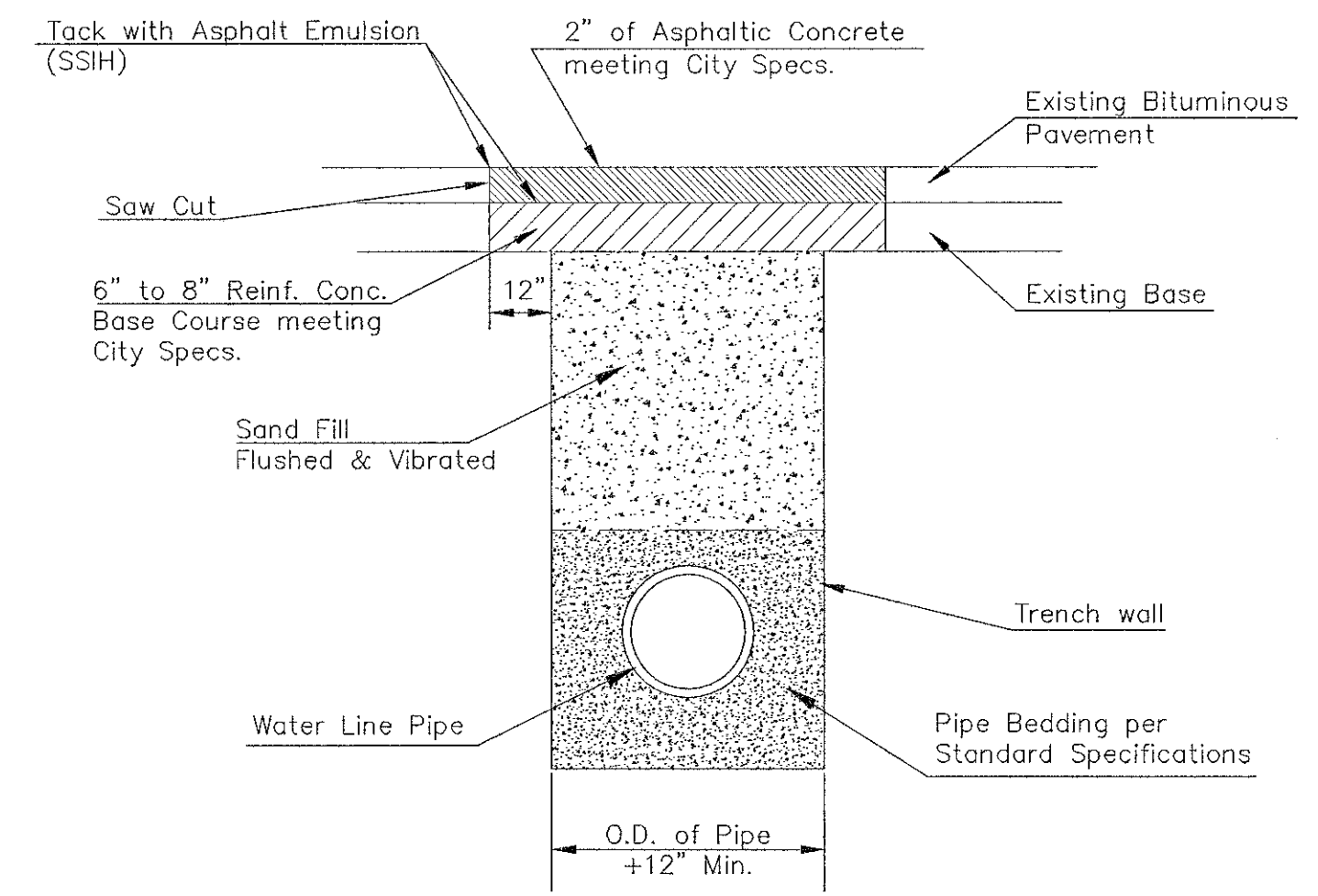


TOP VIEW

Note: When shoring is required it is to be per The City of Wichita Standard Specifications.

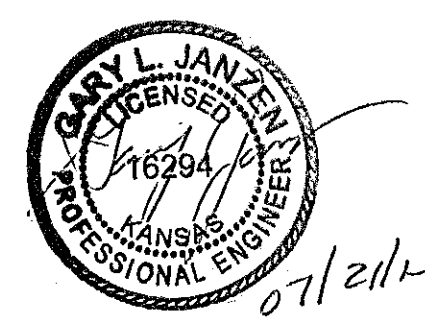


EXCAVATION FOR WET TAP



PAVEMENT REPLACEMENT & TRENCH COMPACTION UNDER EXISTING AND PROPOSED CITY ROADS

REVISED: JULY 2015



CITY OF WICHITA
PUBLIC WORKS & UTILITIES ENGINEERING DIVISION

MISCELLANEOUS WATER DETAILS
CITY ENGINEER
GARY JANZEN, P.E.

PROJECT NUMBER	OCA NUMBER	DATE
CITY ENGINEER'S OFFICE CITY HALL - SEVENTH FLOOR 455 NORTH MAIN STREET WICHITA, KANSAS 67202-1620 (316) 268-4501		SHEET 6 of 13