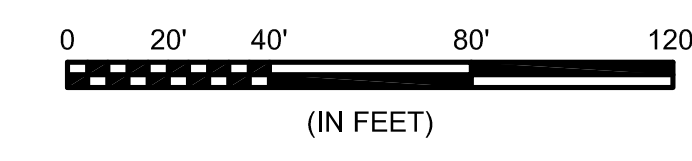
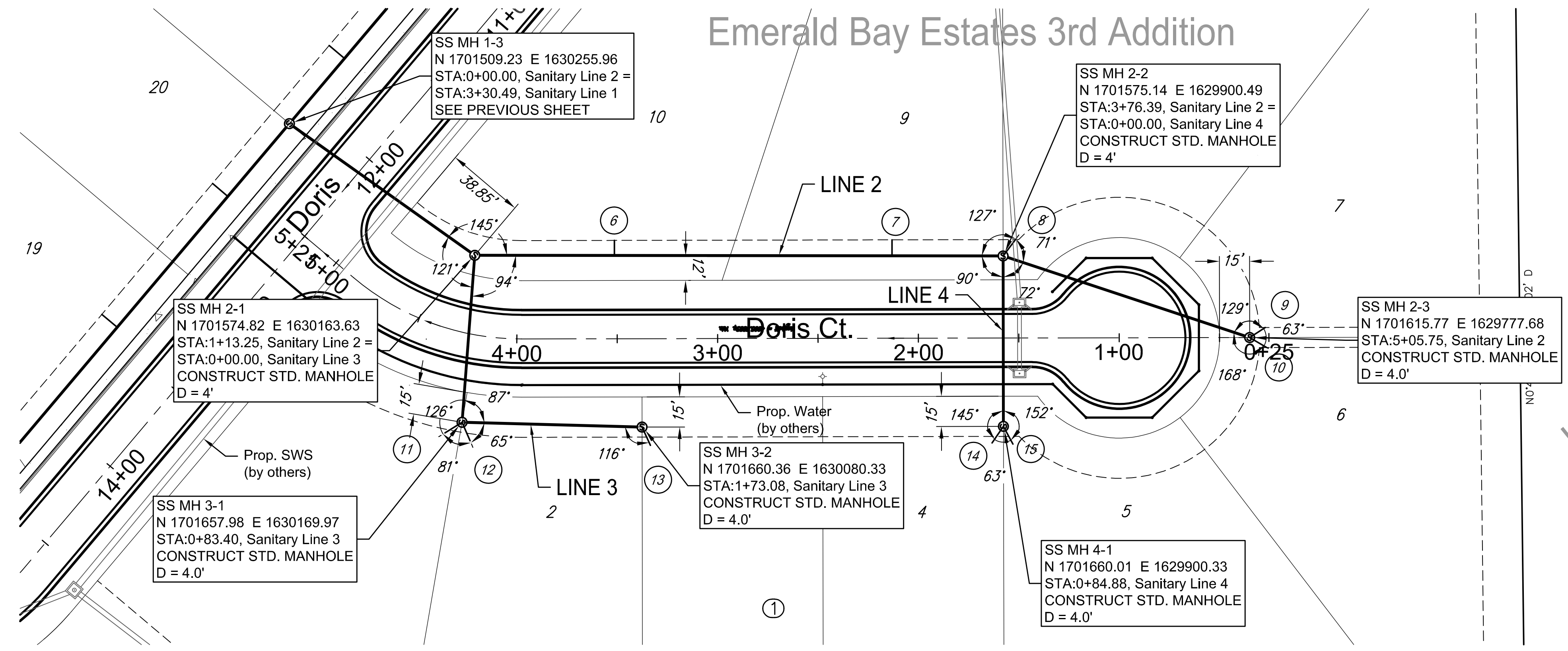




© 2018 GARVER, LLC
 THIS DOCUMENT, ALONG WITH THE
 IDEAS AND DESIGNS CONVEYED
 HEREIN, SHALL BE CONSIDERED
 INSTRUMENTS OF PROFESSIONAL
 SERVICE AND ARE PROPERTY OF
 GARVER, LLC. ANY USE,
 REPRODUCTION OR DISTRIBUTION
 OF THIS DOCUMENT, ALONG WITH
 THE IDEAS AND DESIGN CONTAINED
 HEREIN, IS PROHIBITED UNLESS
 AUTHORIZED IN WRITING BY
 GARVER, LLC OR EXPLICITLY
 ALLOWED IN THE GOVERNING
 PROFESSIONAL SERVICES
 AGREEMENT FOR THIS WORK.



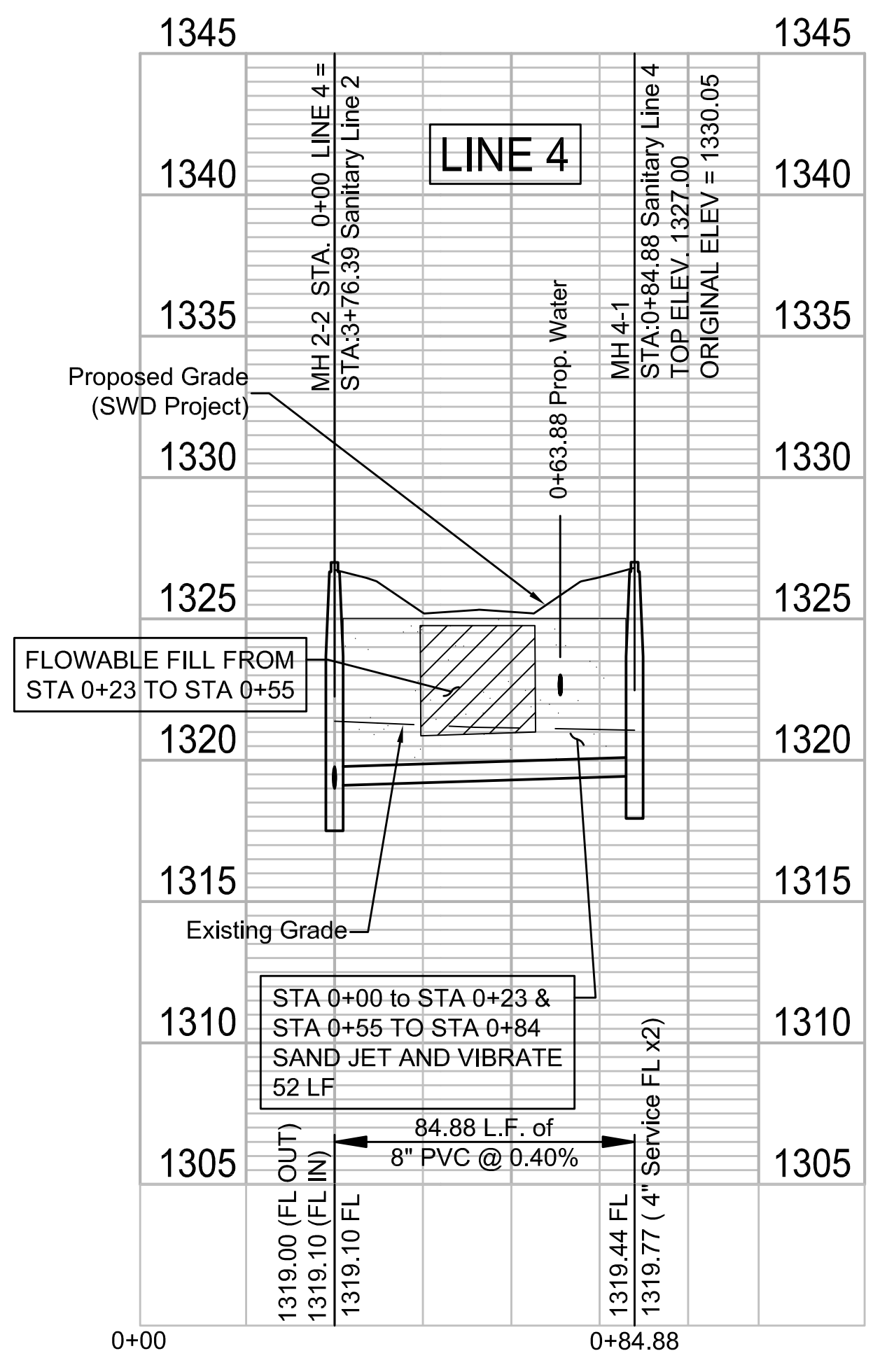
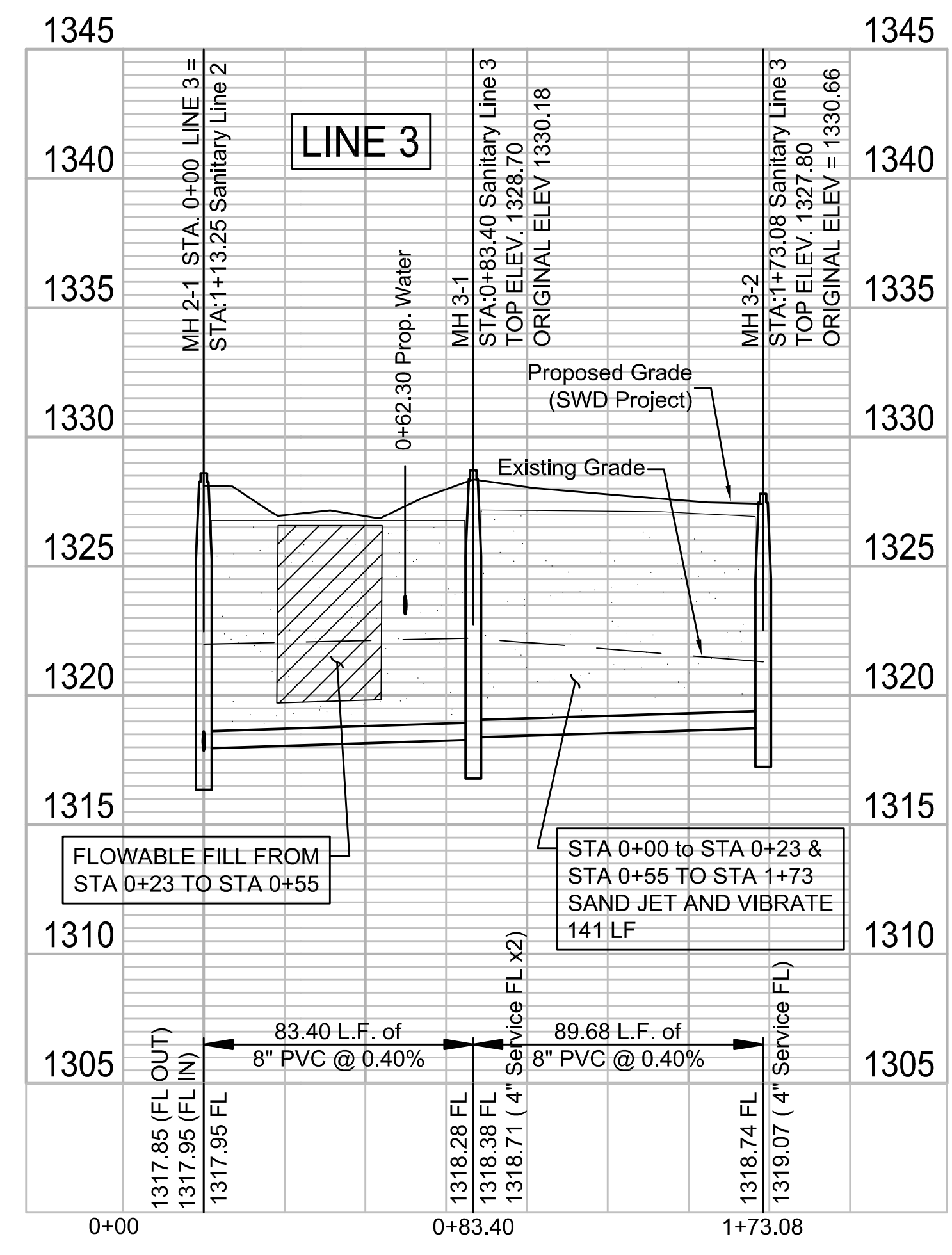
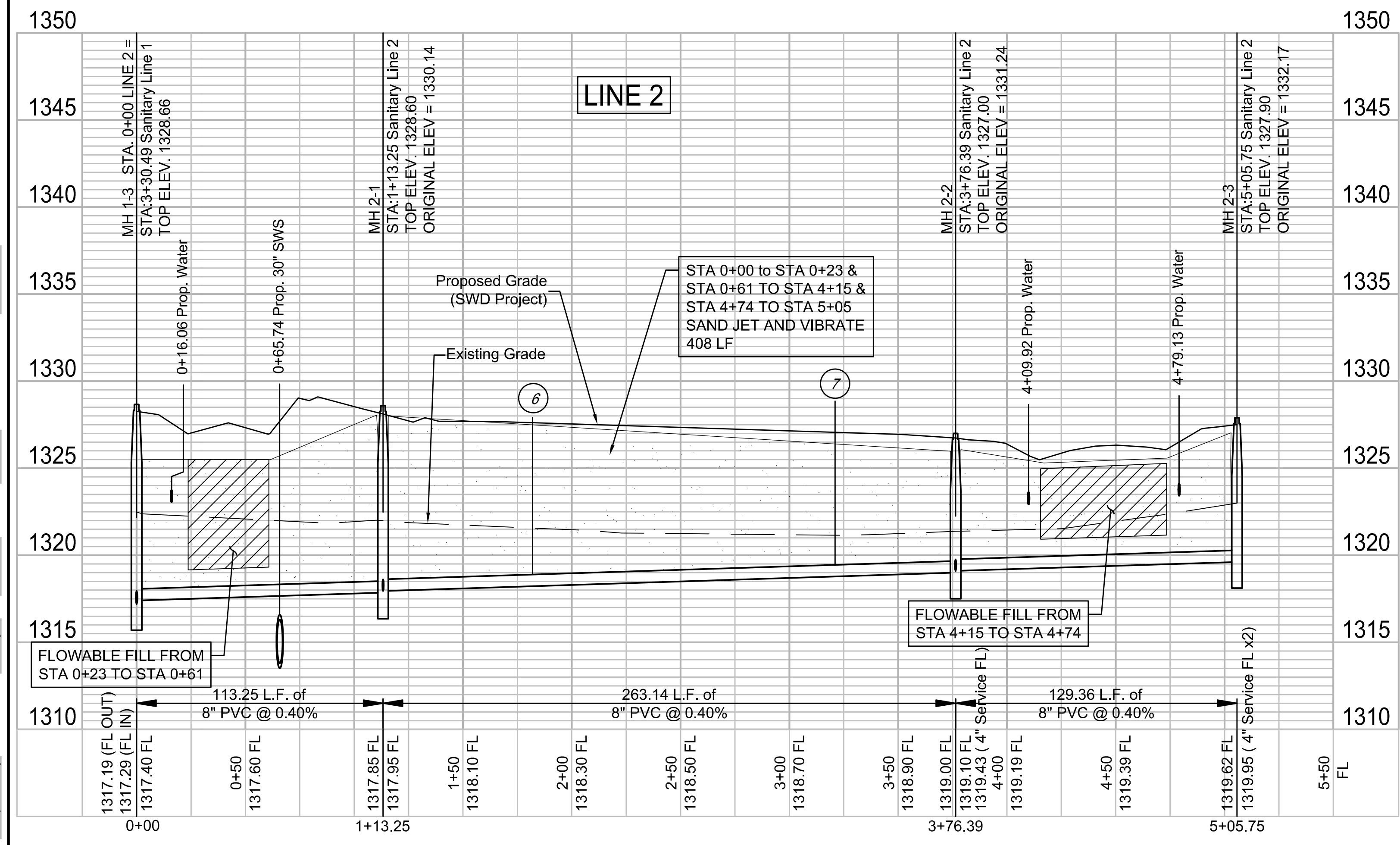
NUMBER	TYPE	SERVING			STATION/DIRECTION	FOR INFORMATION ONLY	
		LOT NO.	BLOCK NO.	LINE NO.		APPROX. LENGTH 4" PIPE	
						VERTICAL	HORIZONTAL
6	8"X4" Tee	10	1	2	1+83 Left	10'	10'
7	8"X4" Tee	9	1	2	3+21 Left	10'	10'
8	MH Connection	8	1	2	3+80 Left	10'	10'
9	MH Connection	7	1	2	5+06 Left	10'	10'
10	MH Connection	6	1	2	5+06 Right	10'	10'
11	MH Connection	1	1	3	0+83 Right	10'	10'
12	MH Connection	2	1	3	0+83 Right	10'	10'
13	MH Connection	3	1	3	1+73 Right	10'	10'
14	MH Connection	4	1	4	0+85 Right	10'	10'
15	MH Connection	5	1	4	0+85 Left	10'	10'



REVISED 10/1/18

Unplatted

File: L:\2017\17264883 - Emerald Bay 3rd Improvements\Drawings\C3D\Sanitary Sewer\SS Line 2-3-4.dwg Last Save: 10/12/2018 10:32 AM Last saved by: E.J.Glover
 Last plotted by: Glover, Eric J. Plot Style: --- Plot Scale: 1:2,3849 Plot Date: 10/12/2018 10:47 AM Plotter used: None



REV.	DATE	DESCRIPTION

City of Wichita, KS
 Project #: 468-85239
 OCA: 744452
 Emerald Bay 3rd
 Sanitary Sewer Plans

Sanitary Sewer
 Lines 2-3-4

JOB NO.: 17264883
 DATE: MARCH 2018
 DESIGNED BY: E.JG
 DRAWN BY: E.JG

BAR IS ONE INCH ON ORIGINAL DRAWING
 0 IF NOT ONE INCH ON THIS SHEET, ADJUST SCALES ACCORDINGLY.

DRAWING NUMBER
 SHEET NUMBER **4 OF 16**