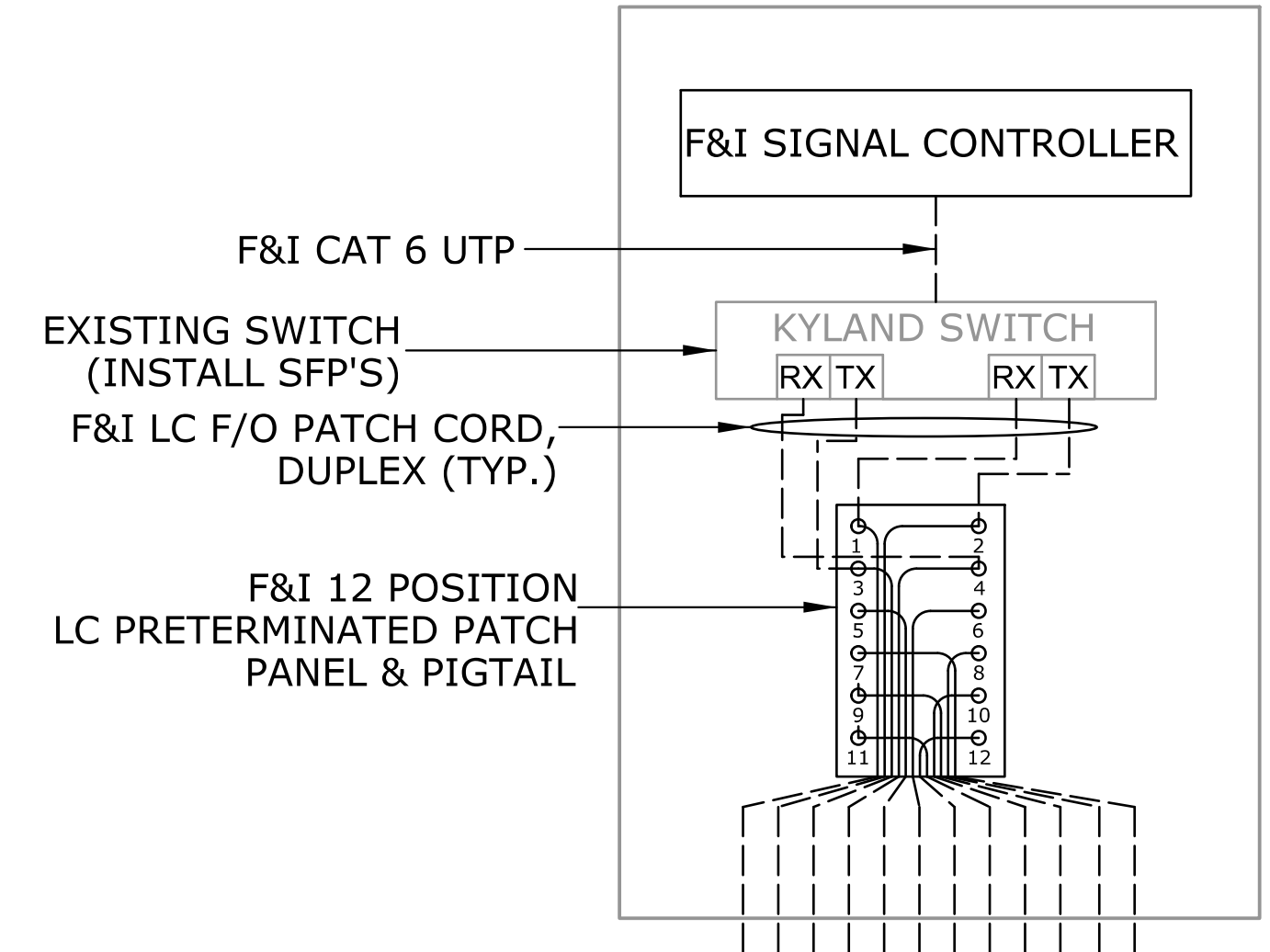
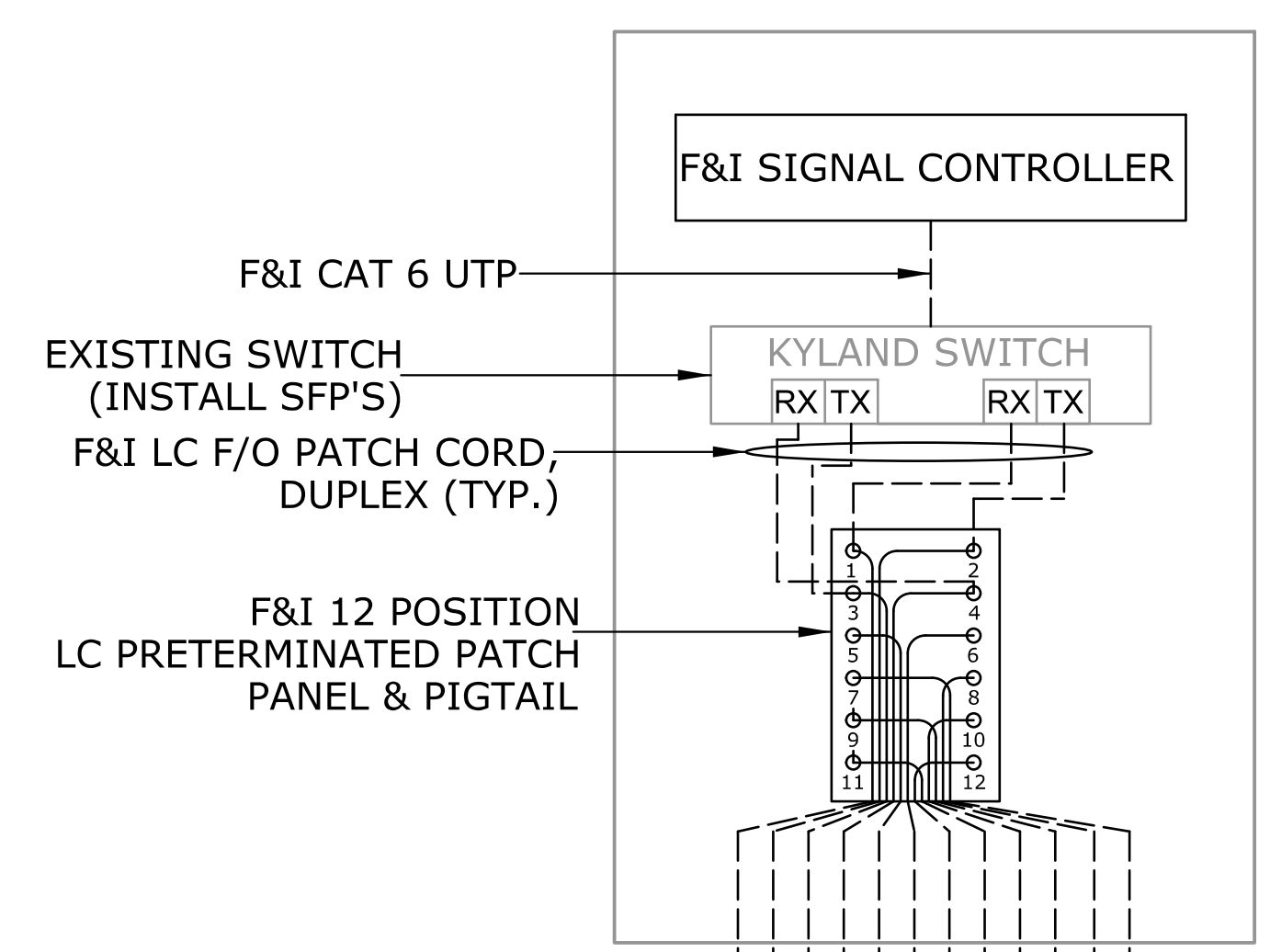


STATE	PROJECT NO.	YEAR	SHEET NO.	TOTAL SHEETS
KANSAS	87 N-0684-01	2019	58	109

S < ROUTE A > N

SIGNAL 22
I-135 & 1ST

SIGNAL 23
I-135 & 2ND

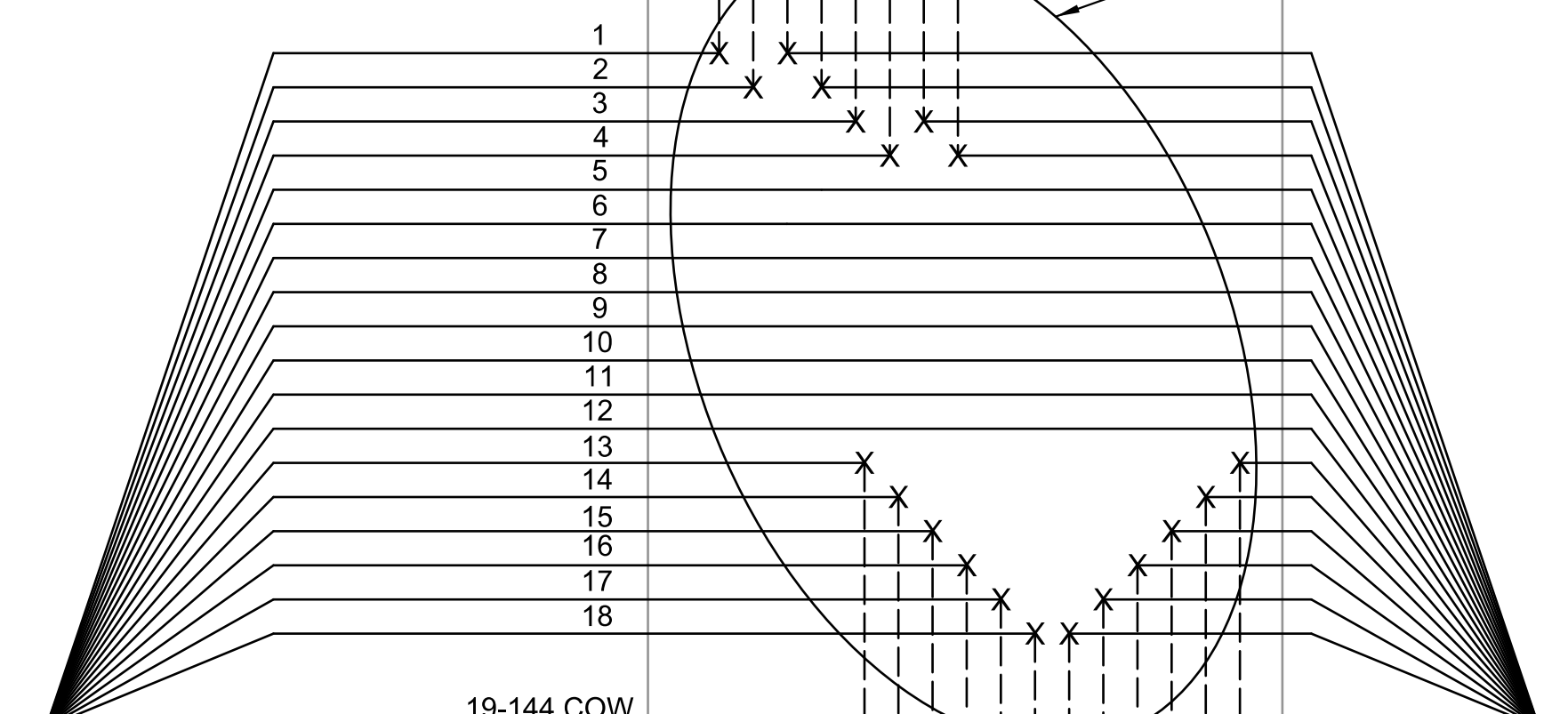
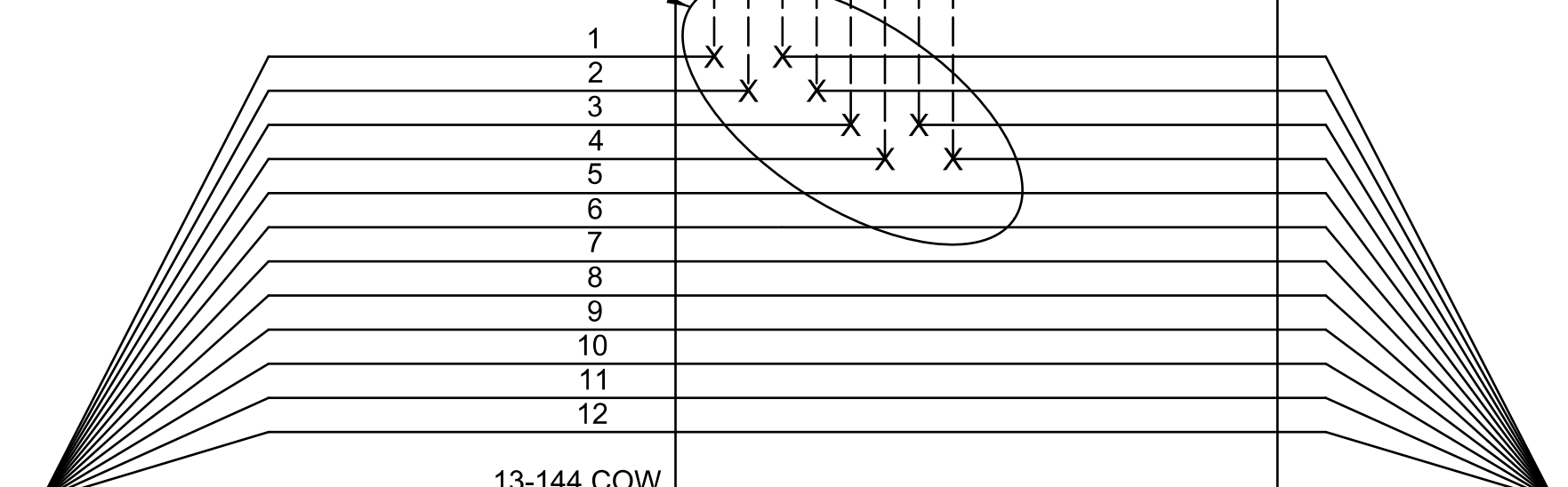


F&I 12 SMFO PRETERMINATED PIGTAIL

F&I 12 SMFO PRETERMINATED PIGTAIL

F&I SPLICE CLOSURE:
SPLICE FIBERS IN
LARGE SPLICE CLOSURE
(TYP.)

F&I SPLICE CLOSURE:
SPLICE FIBERS IN
LARGE SPLICE CLOSURE
(TYP.)



144 COW SMFO TRUNKLINE

144 KDOT SMFO TRUNKLINE

144 COW SMFO TRUNKLINE

144 KDOT SMFO TRUNKLINE

144 KDOT SMFO TRUNKLINE (FROM POP TO HUB #2)

144 KDOT SMFO TRUNKLINE (ROUTE D TO POP)

12 COW SMFO BRANCHLINE (GOING NORTH TO SIGNAL 24)

1-144 COW

1-144 KDOT

144 KDOT SMFO TRUNKLINE (ROUTE D TO POP)

F&I SPLICE VAULT
SV-A-10

EXISTING SPLICE VAULT
SV-A-EX06

KANSAS DEPARTMENT OF TRANSPORTATION

ROUTE A
FIBER OPTIC SCHEMATIC

DATE	BY	REFERENCES NOTED	REFERENCES CHECKED

Plotted: 7/23/2019
File: c:\transystems\pw_local\transyscorp-pw\1ccbankaid0643930\C-ITS-FIBSCH-506.dgn