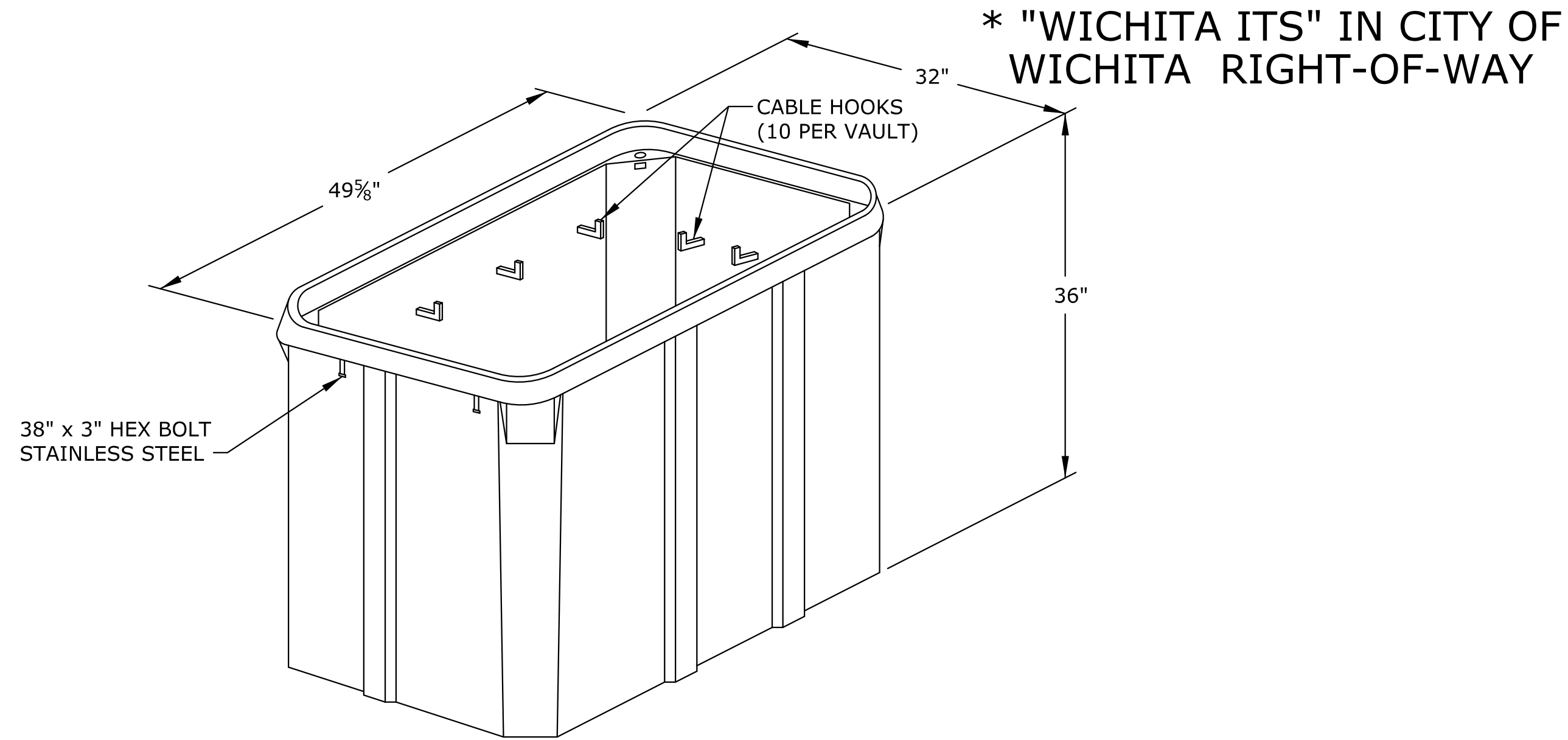
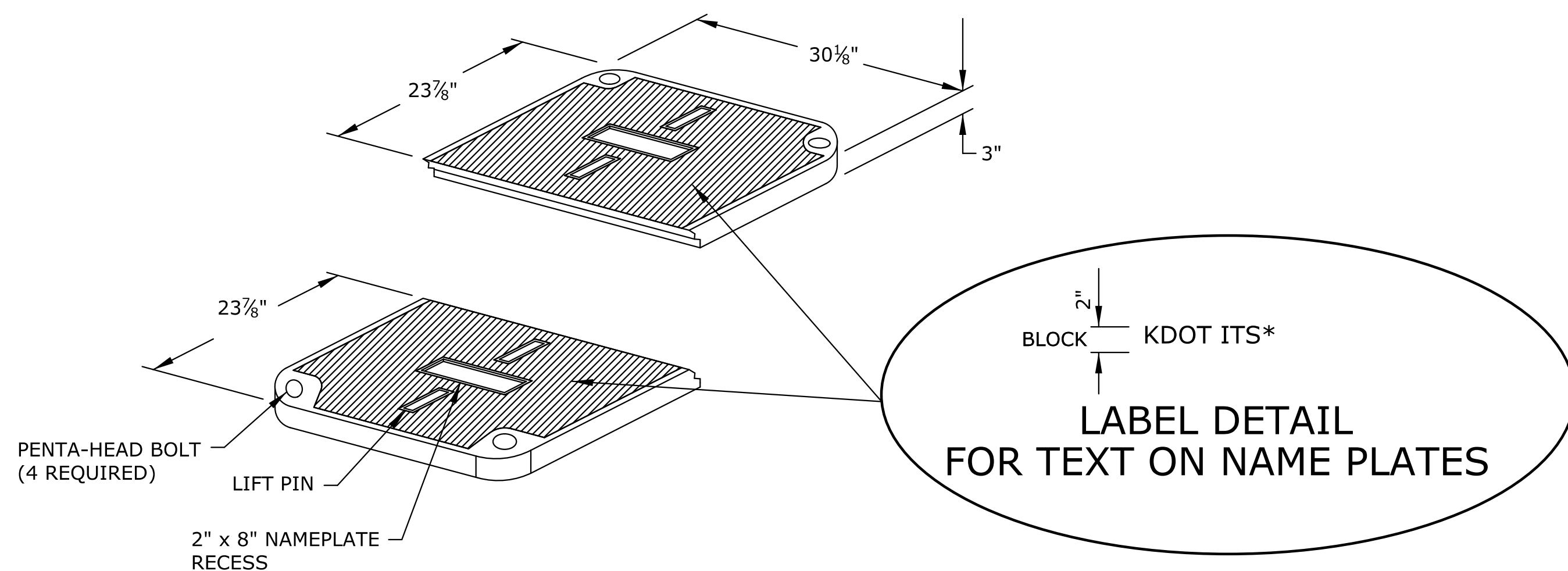
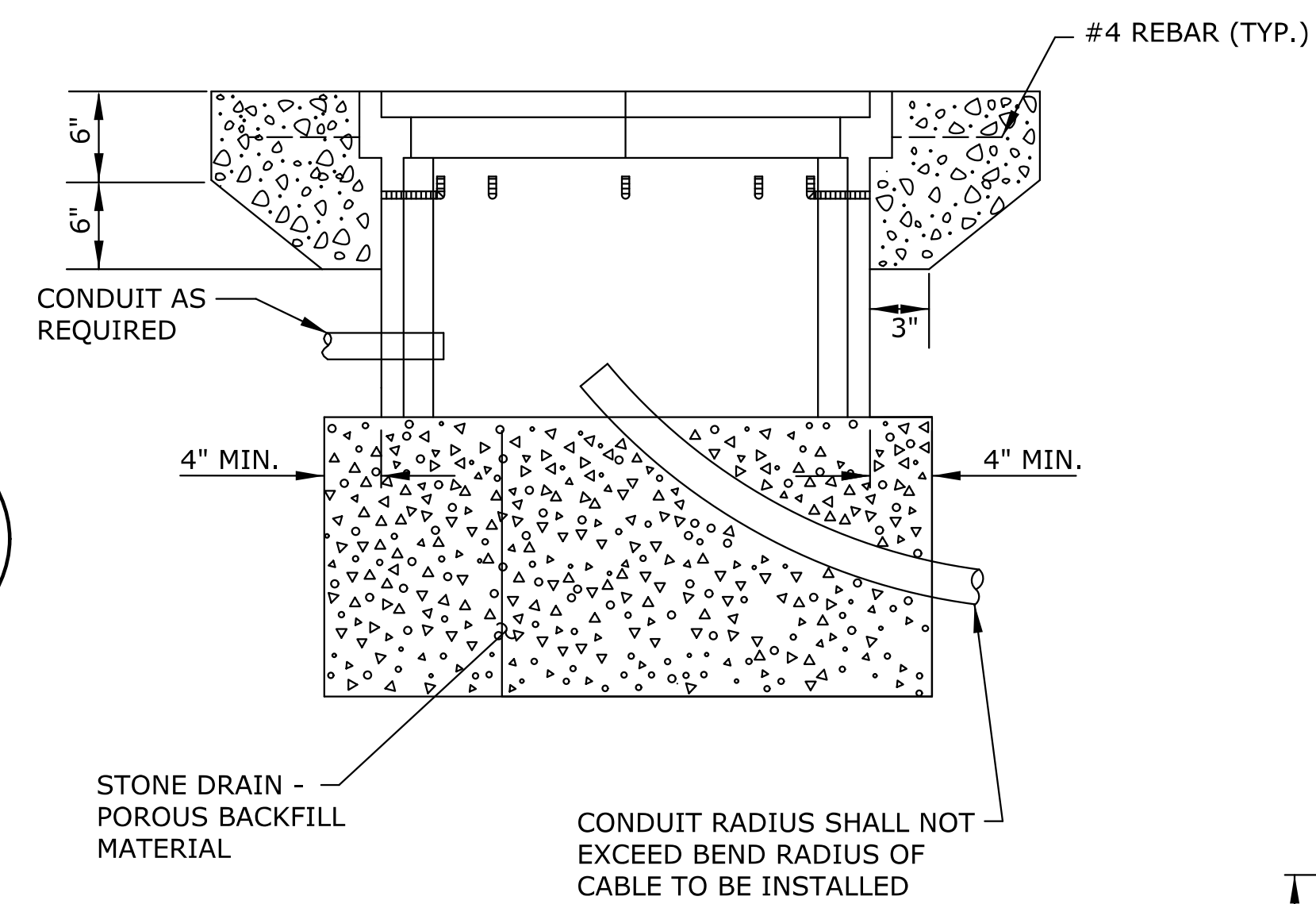


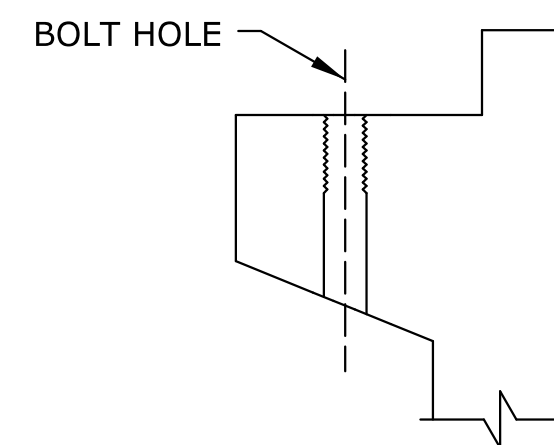
STATE	PROJECT NO.	YEAR	SHEET NO.	TOTAL SHEETS
KANSAS	87 N-0684-01	2019	81	109



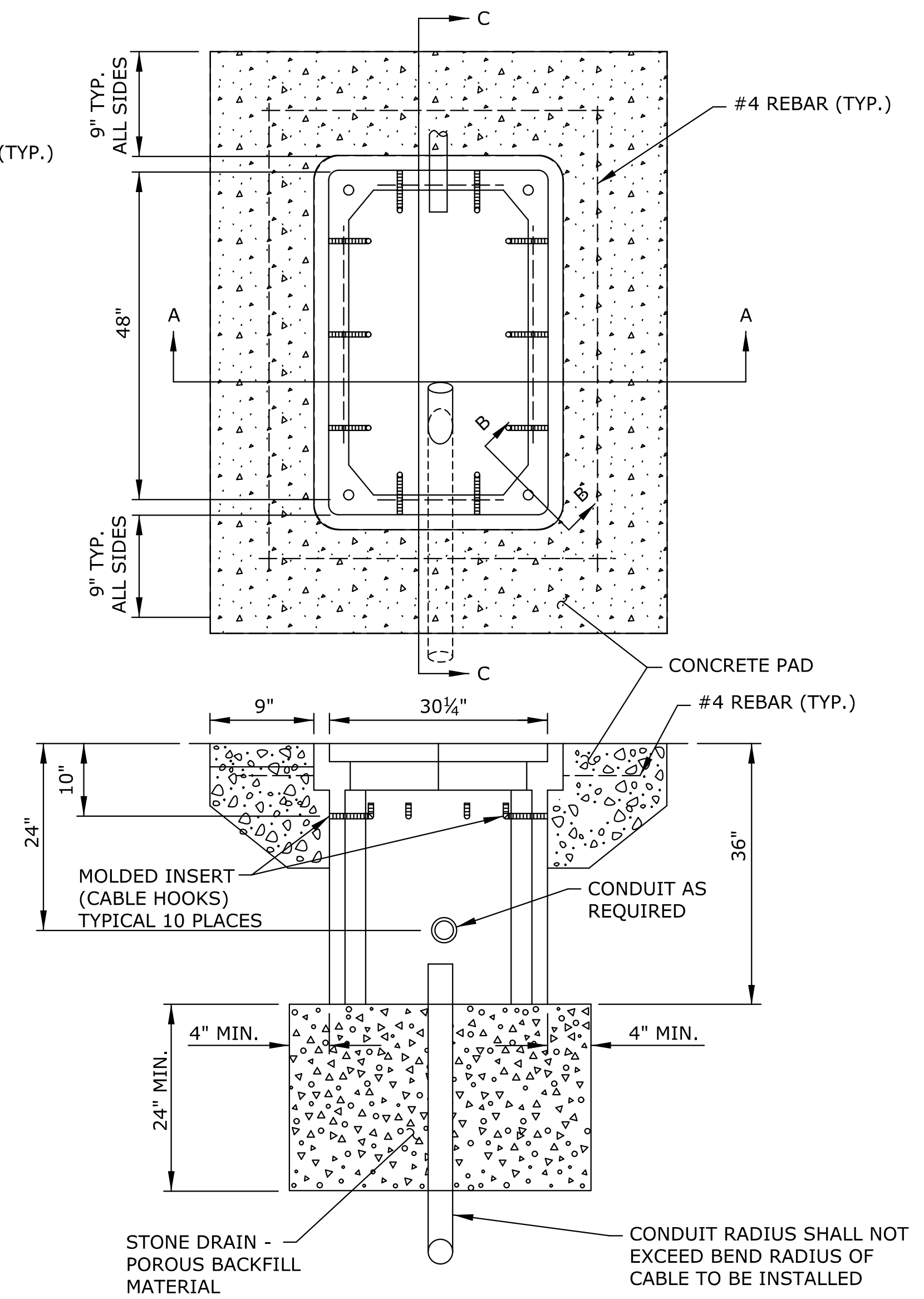
**SPLICE VAULT**



**SECTION C-C**



**SECTION B-B  
TYPICAL BOLT CLEANOUT**



**SECTION A-A**

**GENERAL NOTES:**

1. ALL DIMENSIONS SHOWN ARE IN INCHES UNLESS OTHERWISE NOTED.
2. PREFORMED BOX WALLS MAY BE EITHER FLARED OR VERTICAL.
3. IF AN EXTENSION IS USED WITH A PREFORMED BOX, THE LIP OF THE EXTENSION MAY BE INTERIOR OR EXTERIOR. THE EXTENSION SHALL BE COMPATIBLE AND FROM THE SAME MANUFACTURER.
4. CONDUIT SHALL ENTER THE PULL BOX FROM THE SIDE OF THE BOX OR FROM THE BOTTOM. IF USING SIDE ENTRY CONDUIT, ENSURE BEND RADIUS OF CABLE IS NOT EXCEEDED WHEN PULLING CABLE.
5. SIDE ENTRY CONDUIT SHALL ONLY BE USED FOR RMC, BRIDGE CONDUIT TRANSITION, OR SHORT SPLICE VAULT / PULL BOX CONNECTIONS.
6. SPLICE VAULT AND COVER SHALL BE RATED FOR A MINIMUM OF 20,000 LB LOADING OR TIER 22.
7. STONE DRAIN MATERIAL SHALL CONFORM TO THE STANDARD SPECIFICATION AND SHALL BE CLEAN AGGREGATE.

KANSAS DEPARTMENT OF TRANSPORTATION				
NO.	DATE	REVISIONS	BY	APP'D
<b>FIBER OPTIC RECTANGULAR SPLICE VAULT DETAIL NOT FOR KC SCOUT AREA VERSION DATE: 05-29-17</b>				
DESIGNED	DESIGNED	QUANTITIES	TRACED	
DESIGN CK.	DETAIL CK.	QUAN. CK.	TRACE CK.	