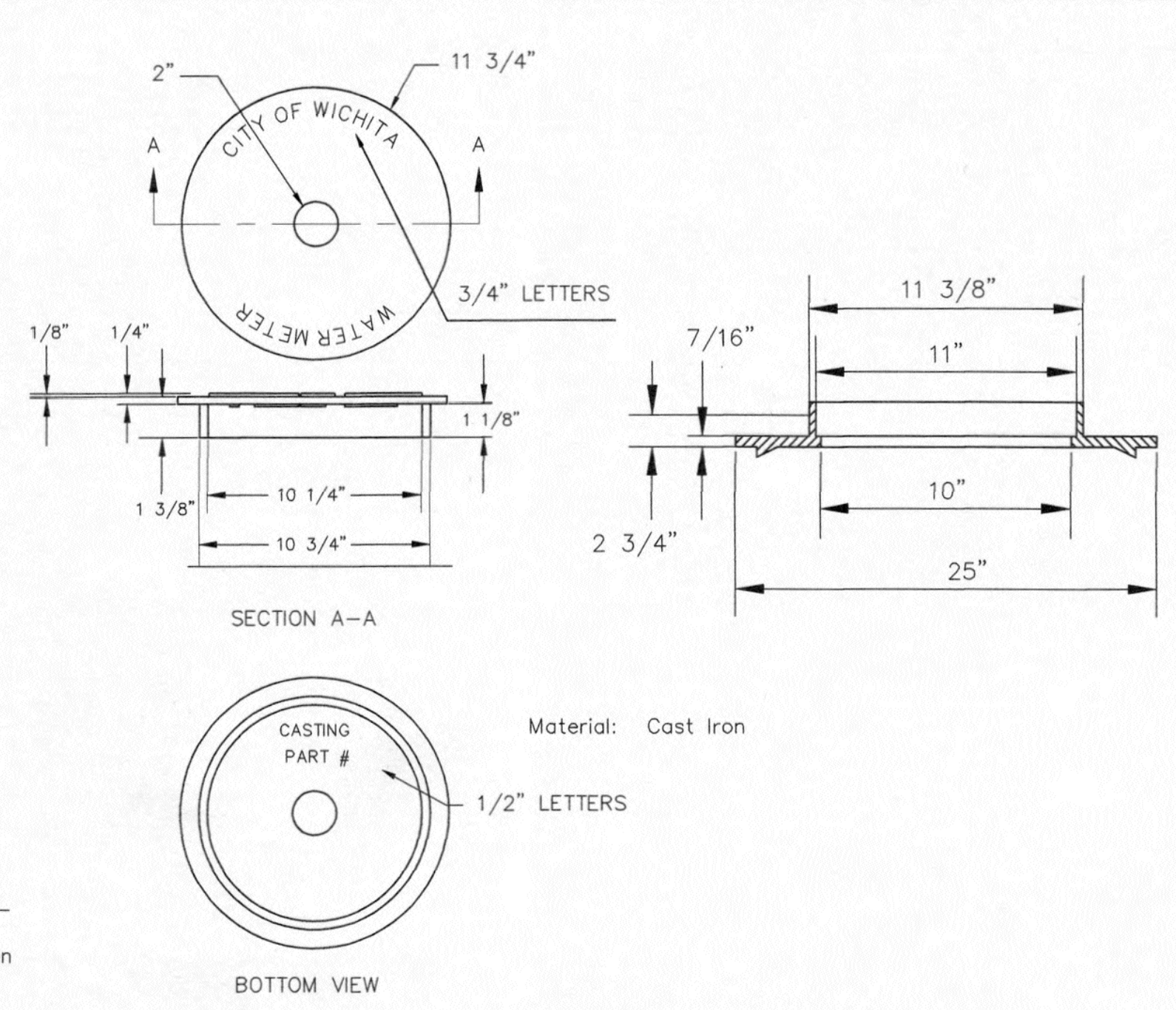


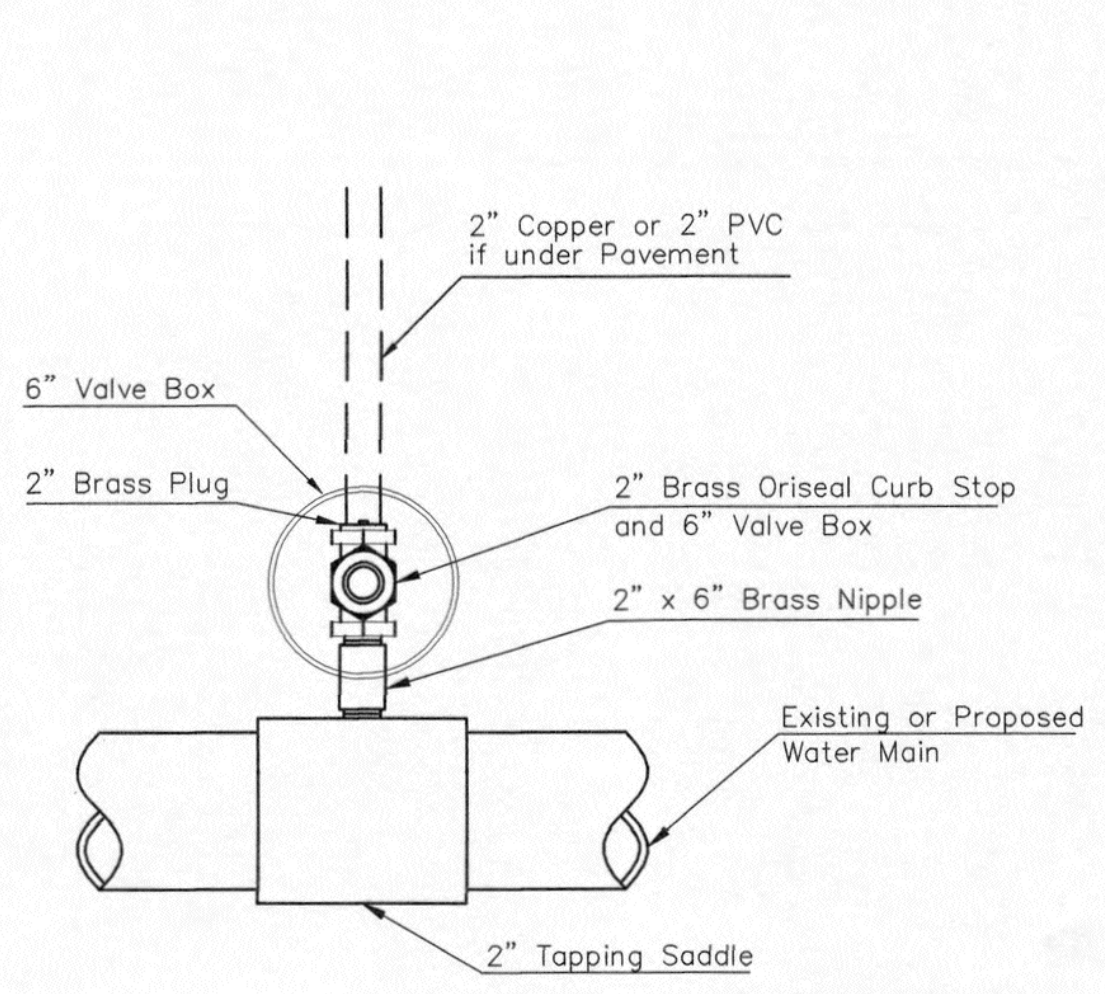
Minimum length of pigtail on consumer side is 36" of copper tubing from meter set.  
Bore hole under paving shall be a maximum of 2" in diameter and a minimum of 36" below top of pavement.  
Service Saddles are required on all mains.  
Meter boxes will be located on each lot to be served, as indicated in the SPECIAL PROVISIONS

TYPICAL 1" METER SETTING



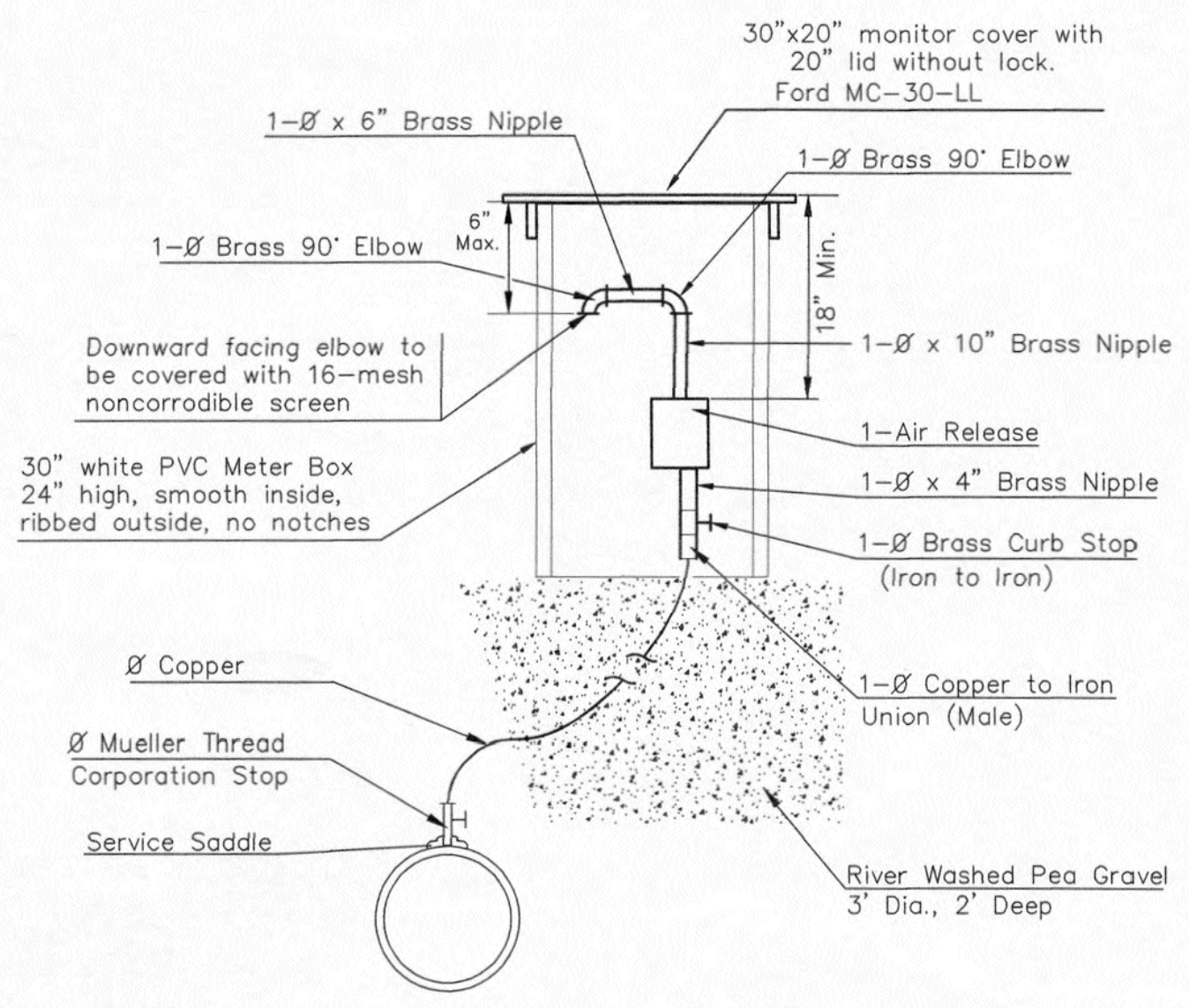
- 1 - Ø Mueller Thread Corporation Stop  
- Ø Type "K" Copper Tubing  
1 - Ø Copper to Iron Union (Male)  
1 - Ø Brass Curb Stop (Iron to Iron)  
2 - Ø4" Brass Nipple
- Air Release  
2 - Ø Brass Elbows (90°)  
1 - 1"x6" Brass Nipple  
1 - 30" Monitor Cover  
1 - 20" Meter Lid

NOTE:  
THE 1"/2" AIR RELEASE ASSEMBLY WILL TYPICALLY BE USED ON WATER MAINS 24" AND SMALLER, AS SPECIFICALLY DESIGNATED IN THE PLANS. COMBINATION AIR RELEASE ASSEMBLIES WILL BE SPECIFICALLY DESIGNED FOR PROJECTS WITH LARGER MAINS, AND WILL BE INCLUDED IN THE PLANS.

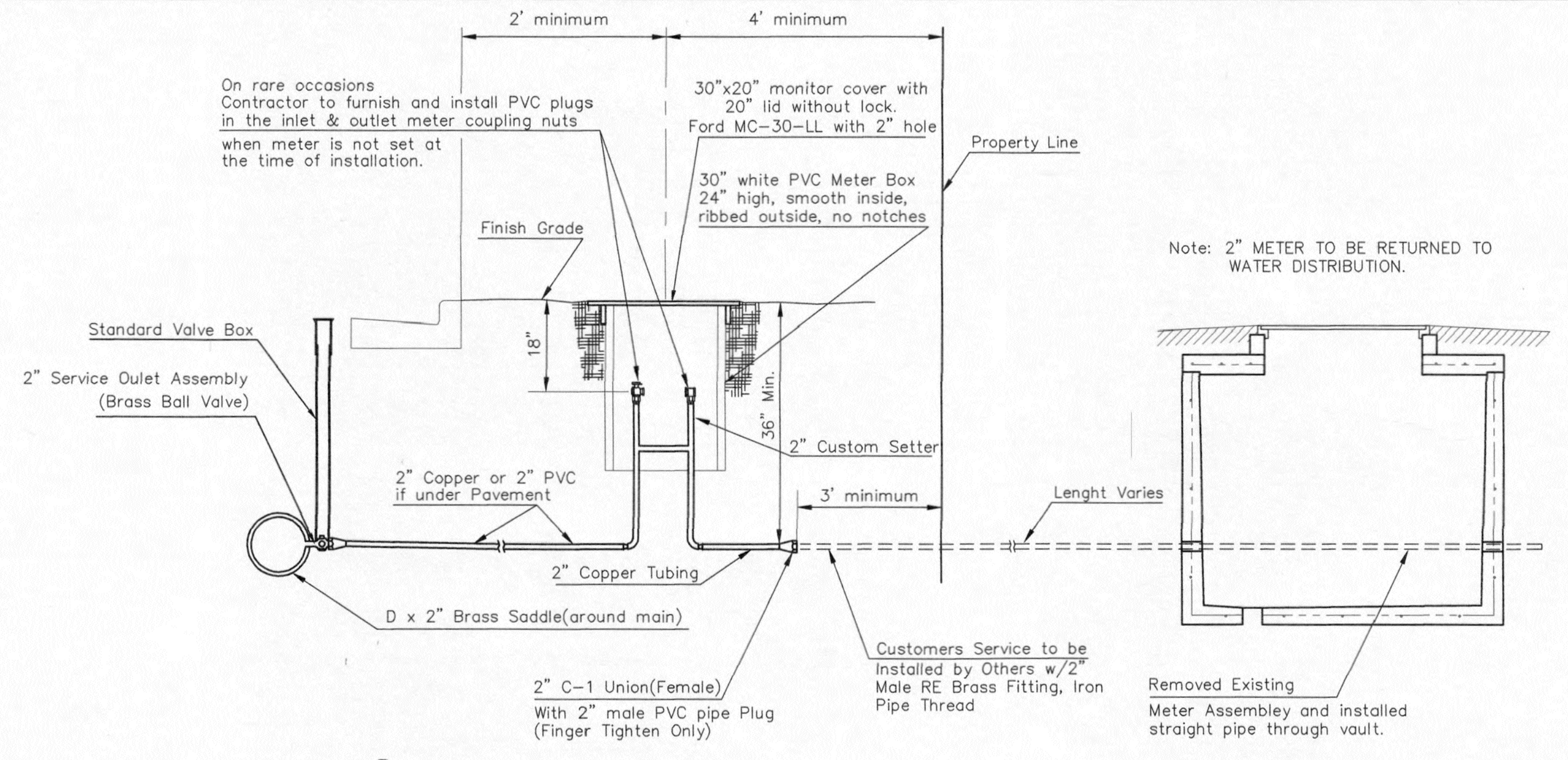


Note: Where the 2" Service Outlet Assembly is to be used to connect a 2" main to another main, the 2" valve shall be a 2" IPT Gate Valve. 2" ball or globe valves shall not be approved for this use.

2" SERVICE OUTLET ASSEMBLY TOP VIEW



MATERIALS FOR 1" or 2" AIR RELEASE ASSEMBLY Ø = 1" or 2"

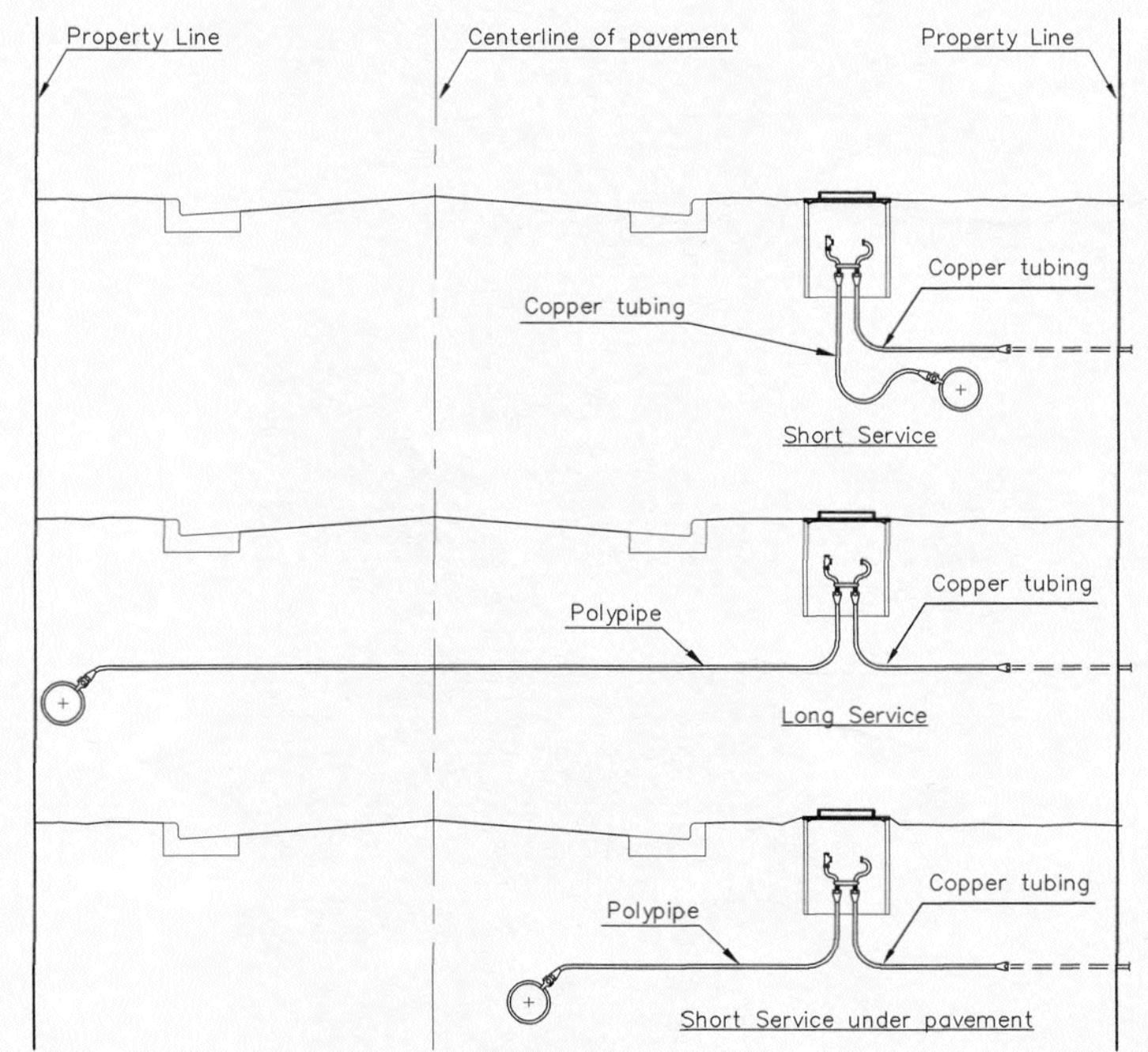


TYPICAL 2" METER SETTING

Note: ONE VALVE STEM EXTENSION FOR EACH VALVE BURIED GREATER THAN 5'.

TYPICAL 2" METER SETTING INVOLVING EXISTING 2" METER VAULT

Note: ONE VALVE STEM EXTENSION FOR EACH VALVE BURIED GREATER THAN 5'.



SERVICE TYPES

REVISED: DECEMBER 2018 TM BRASS NIPPLE LENGTH TO 10" ON THE 1" OR 2" AIR RELEASE ASSEMBLY

**CITY OF WICHITA**

STANDARD WATER SERVICE DETAIL

CITY ENGINEER  
**GARY JANZEN, P.E.**

PROJECT NUMBER 448-90939	OCA NUMBER 638111	DATE
-----------------------------	----------------------	------

CITY ENGINEER'S OFFICE  
CITY HALL - SEVENTH FLOOR  
455 NORTH MAIN STREET  
WICHITA, KANSAS 67202-1620  
(316) 268-4501

SHEET  
**C-110**



Saved 02-26-2019 11:35:03 AM by KURTIS DEKAT  
 Plot Scale 1: 06-29-2019 2:57:47 PM by KURTIS DEKAT  
 U:\Wichita-City\2018\181042\1007\Main Drawings\181042-007 C-110