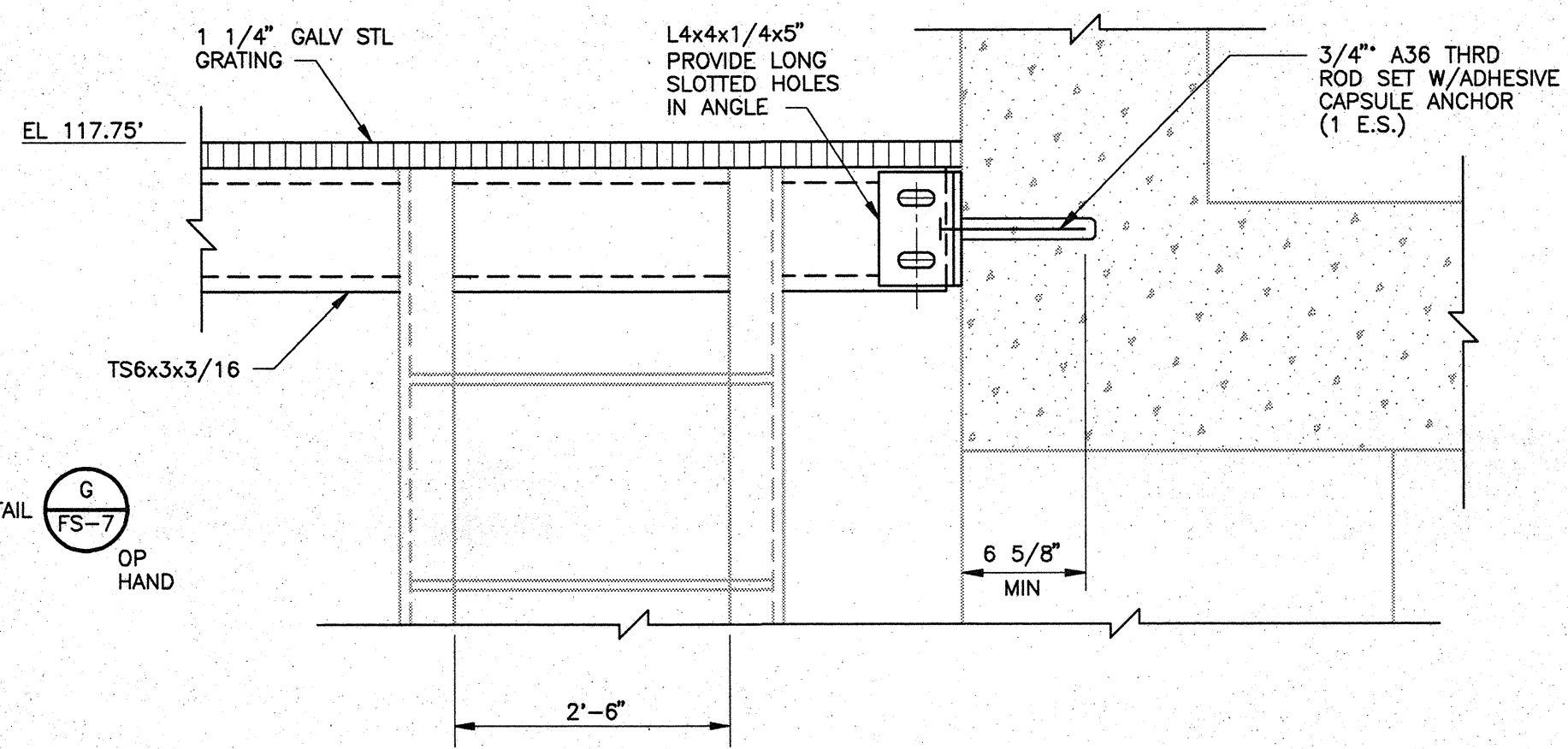
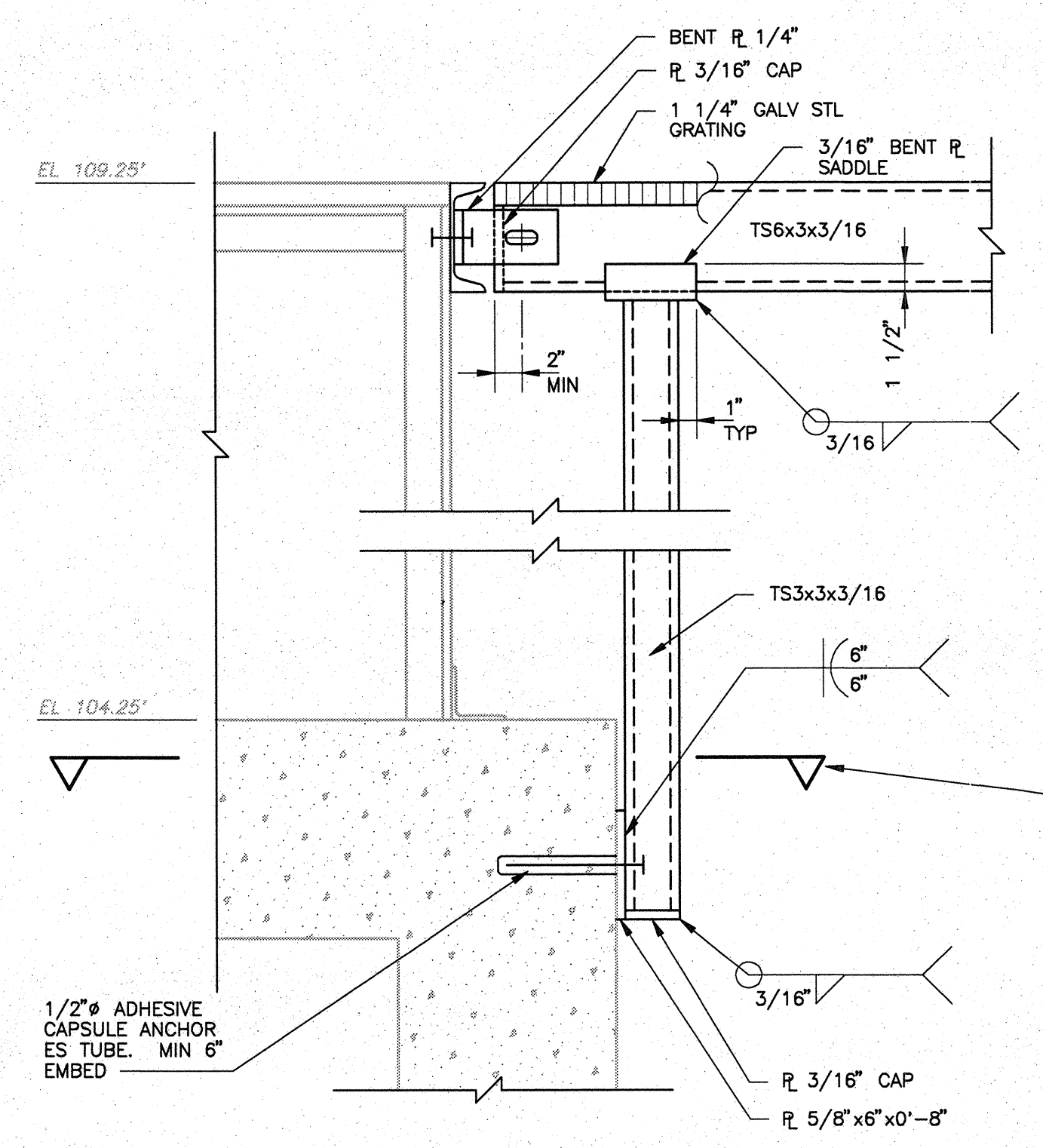


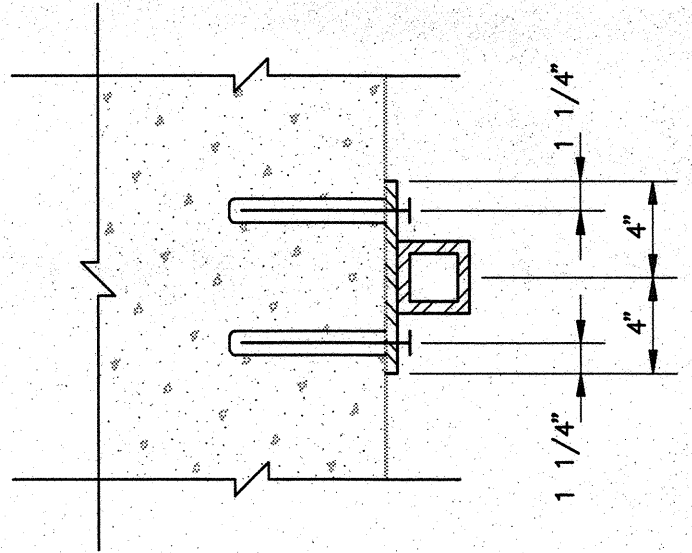
TS6x3 TUBE END DETAIL



DETAIL A
1 1/2"=1'-0" FS-5

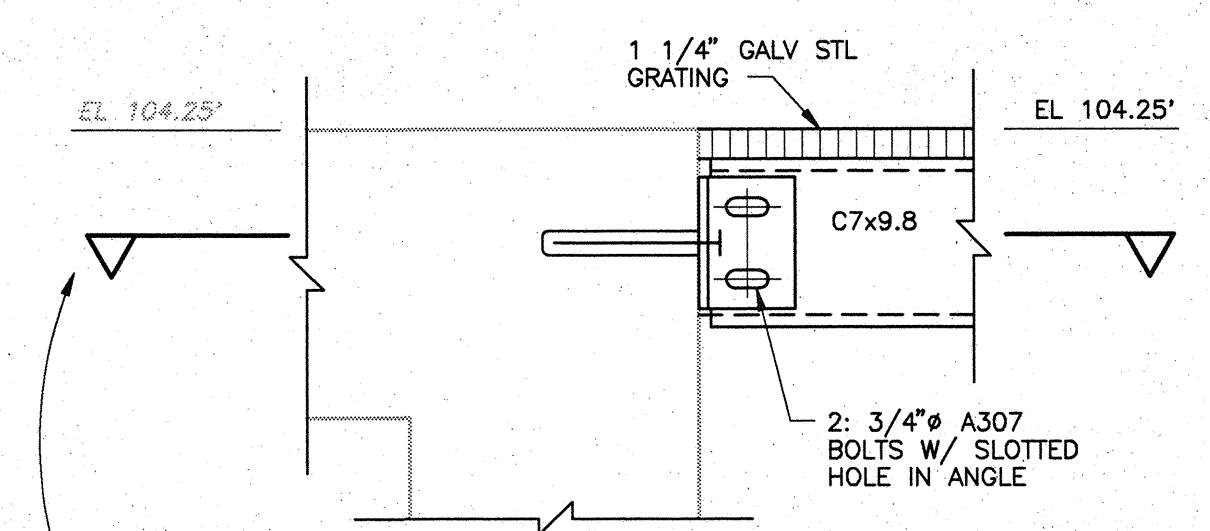


SECTION
DETAIL B
1 1/2"=1'-0" FS-5

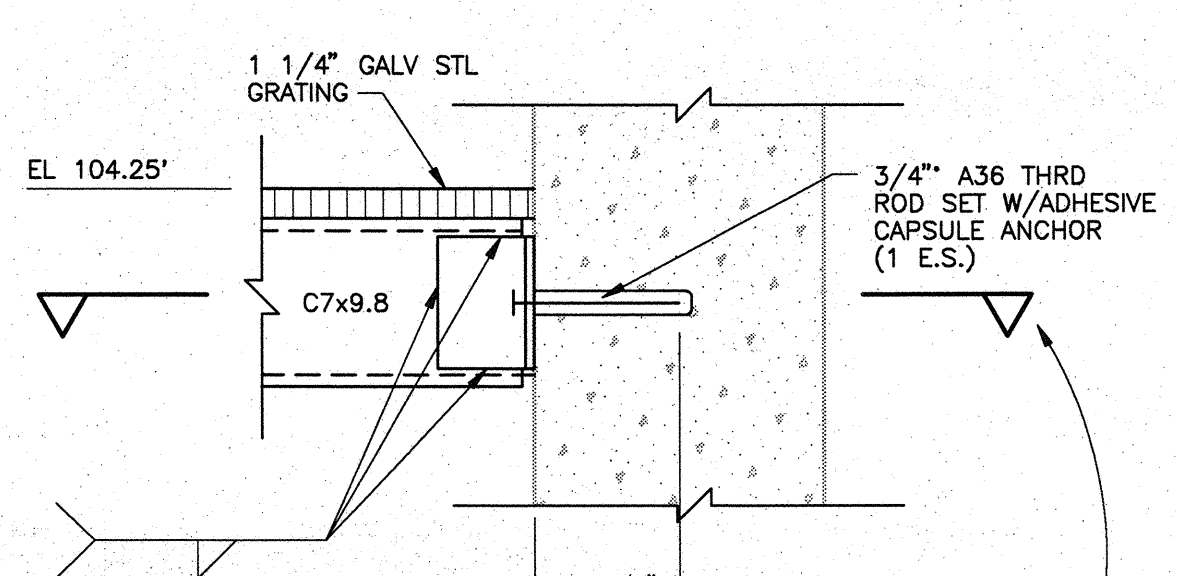


SECTION
DETAIL C
1 1/2"=1'-0" FS-5

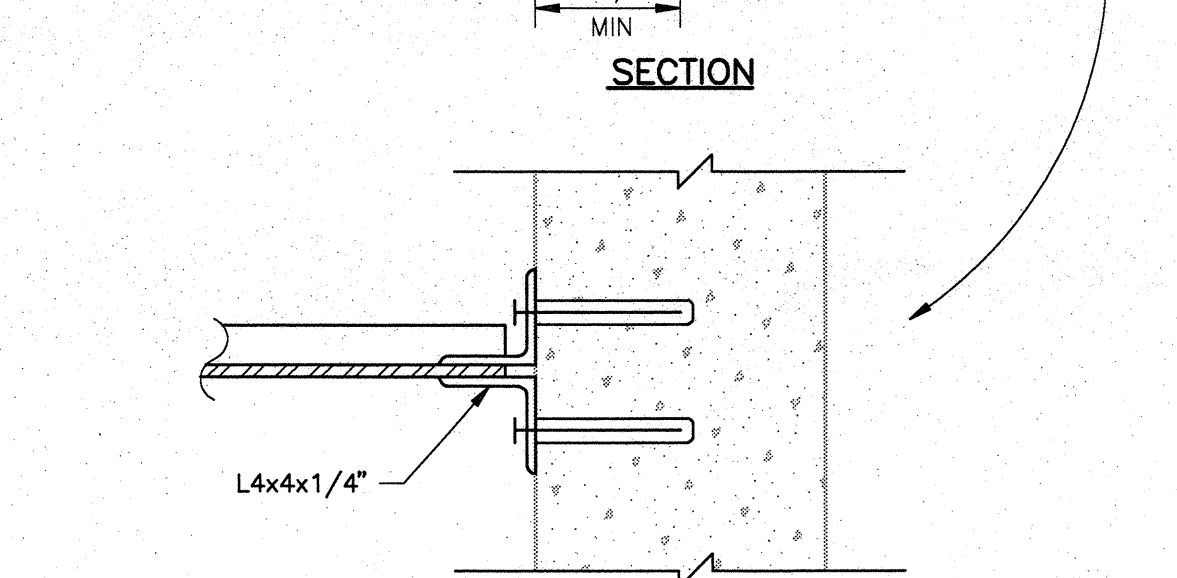
NOTE:
1. DIMENSIONS AND ELEVATIONS OF ALL EXISTING STRUCTURES SHALL BE FIELD VERIFIED BY CONTRACTOR.



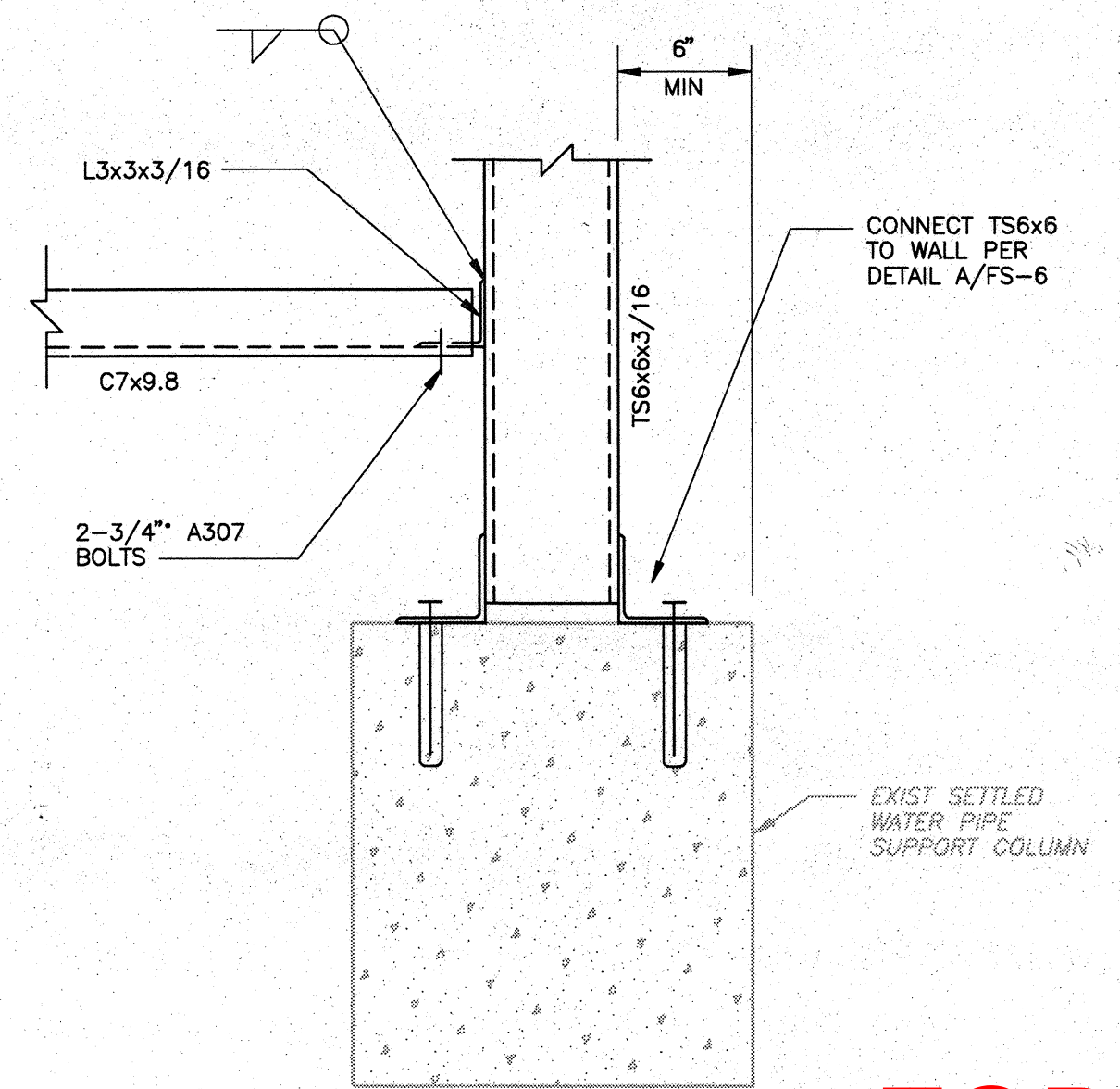
DETAIL D
1 1/2"=1'-0" FS-5



SECTION
DETAIL E
1 1/2"=1'-0" FS-5



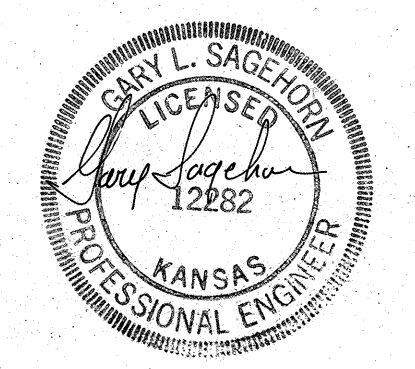
SECTION
DETAIL F
1 1/2"=1'-0" FS-5



CONNECT TS6x6 TO WALL PER DETAIL A/FS-6
EXIST SETTLED WATER PIPE SUPPORT COLUMN
DETAIL G
1 1/2"=1'-0" FS-4

FOR REFERENCE ONLY

RECORD DRAWING



DESIGNED BY: G. SAGEHORN	CAMP DRESSER & MCKEE INC.
DRAWN BY: T. VERWEY	
SHEET CHK'D BY: G. SAGEHORN	
CROSS CHK'D BY: G. SAGEHORN	
APPROVED BY: G. SAGEHORN	
DATE: OCTOBER 1992	

environmental engineers, scientists, planners, & management consultants
CDM

CITY OF WICHITA, KANSAS
WATER TREATMENT PLANT IMPROVEMENTS
PHASE IIB

FILTER PIPE GALLERY
DETAILS

PROJECT NO. 2395-118-DNF
SHEET NO. FS-6
SHEET 244 OF 293