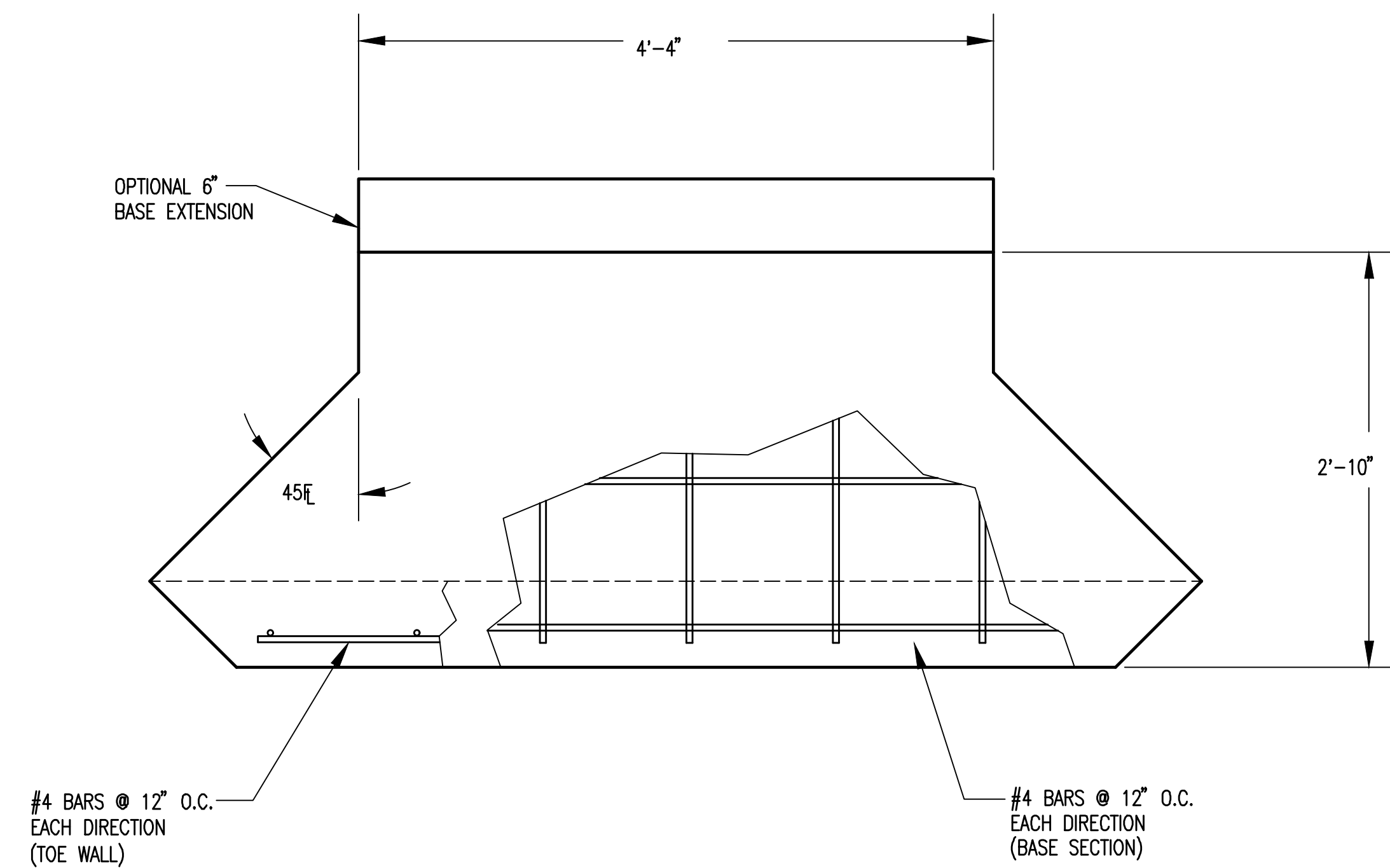
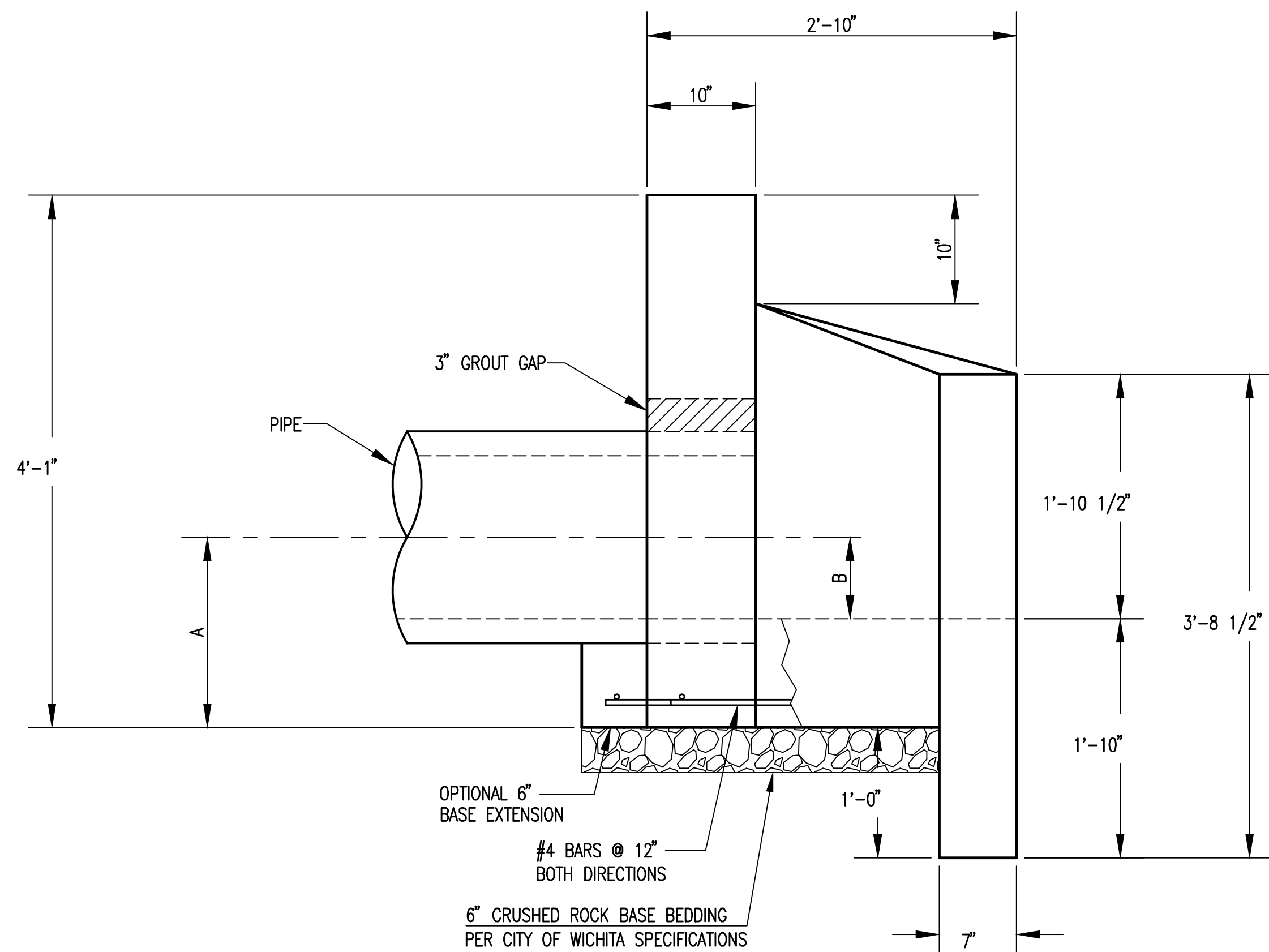


PLAN VIEW

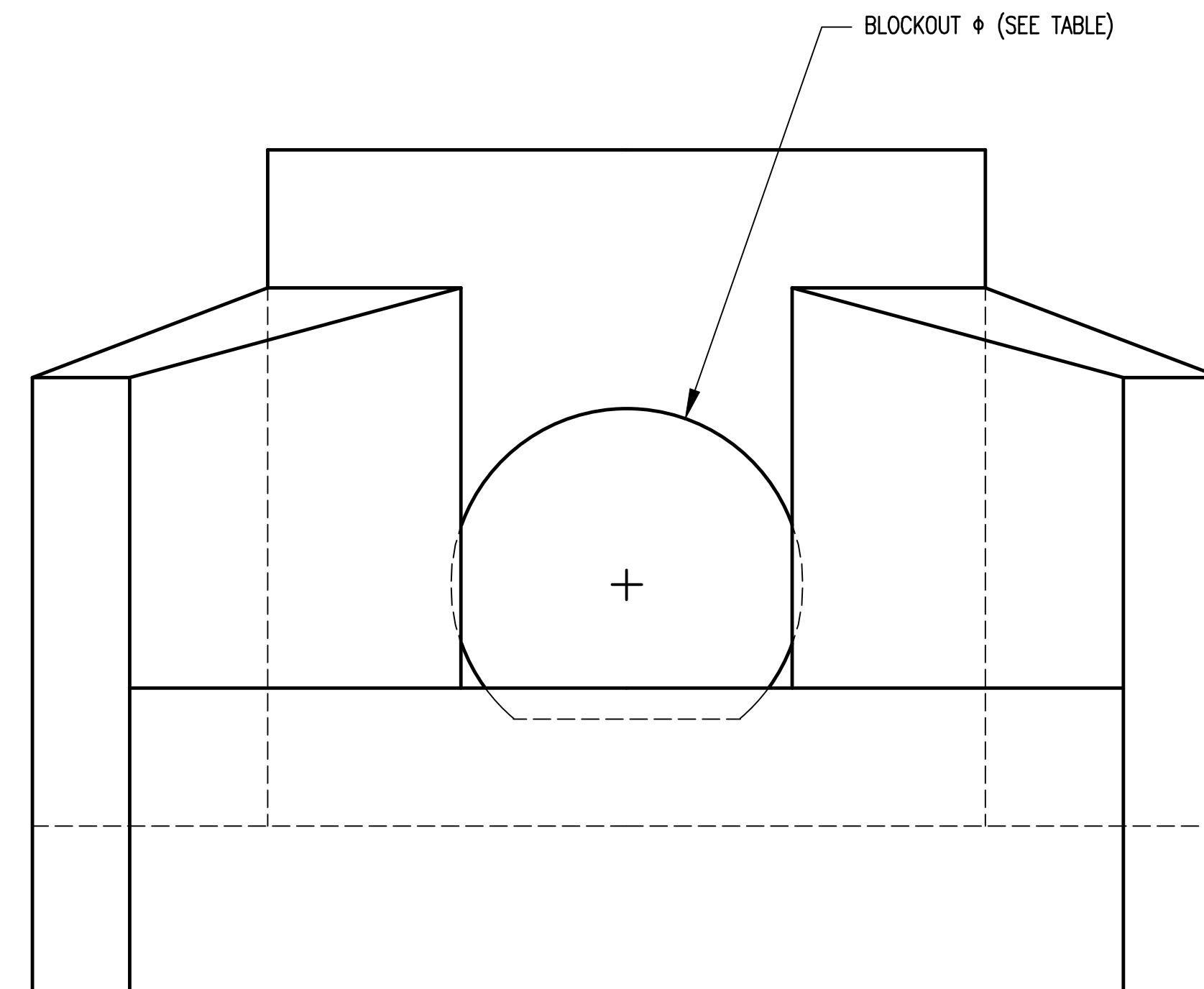


PLAN VIEW
BASE

PIPE ϕ	A	B	BLOCKOUT ϕ
15"	1'-5 1/2"	7 1/2"	2'-1 1/2"
18"	1'-7"	9"	2'-5"
24"	1'-10"	1'-0"	3'-0"



ELEVATION



FRONT VIEW

HEADWALLS, AS SHOWN, WILL NOT SUPPORT FLAP GATE.



**HEADWALL
DETAILS FOR
15", 18", AND 24" PIPE**

CITY ENGINEER
GARY JANZEN, P.E.

PROJECT NUMBER 472-2019-085583	OCA NUMBER 766482	DATE 11/2010
-----------------------------------	----------------------	-----------------

CITY ENGINEER'S OFFICE
CITY HALL - SEVENTH FLOOR
455 NORTH MAIN STREET
WICHITA, KANSAS 67202-1620
(316) 268-4501

SHEET
28 of 51

Sheet: 11-02-2019 4:11:07 PM by CP
 Proj: Sewer 151 11-15-2019 12:04:00 PM by CARLOS PEREZ
 U:\Wichita-Civil\2017\170551\000\Multi-Trans\Drawings\170551-000-286-HEADWALL 15-18-24 DETAILS