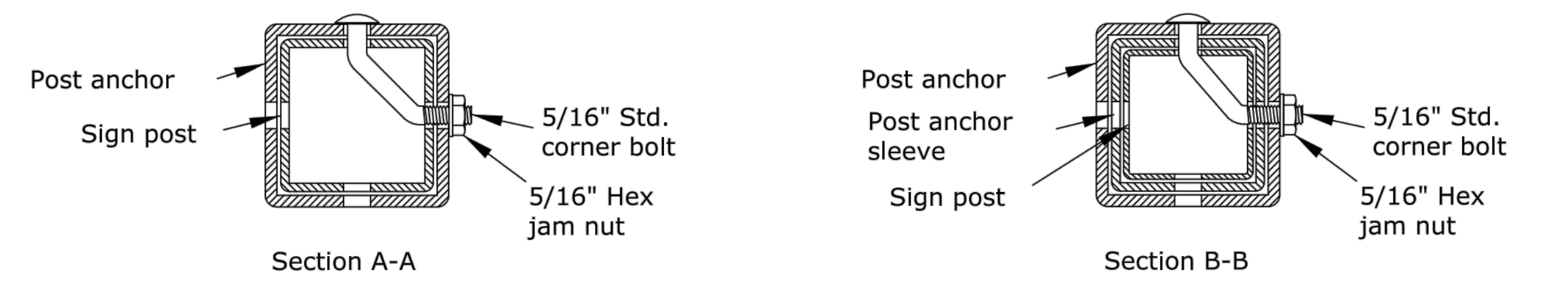
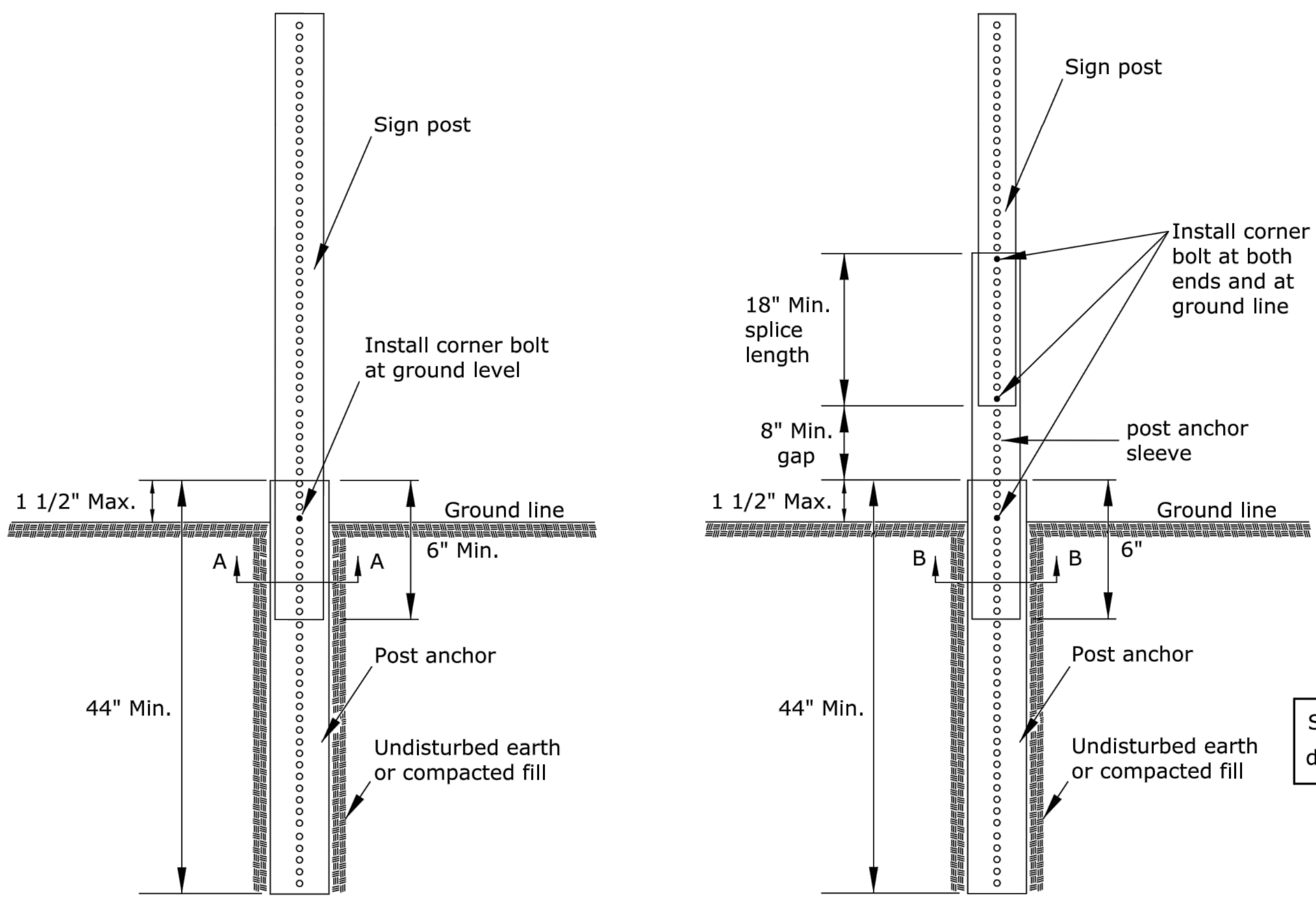
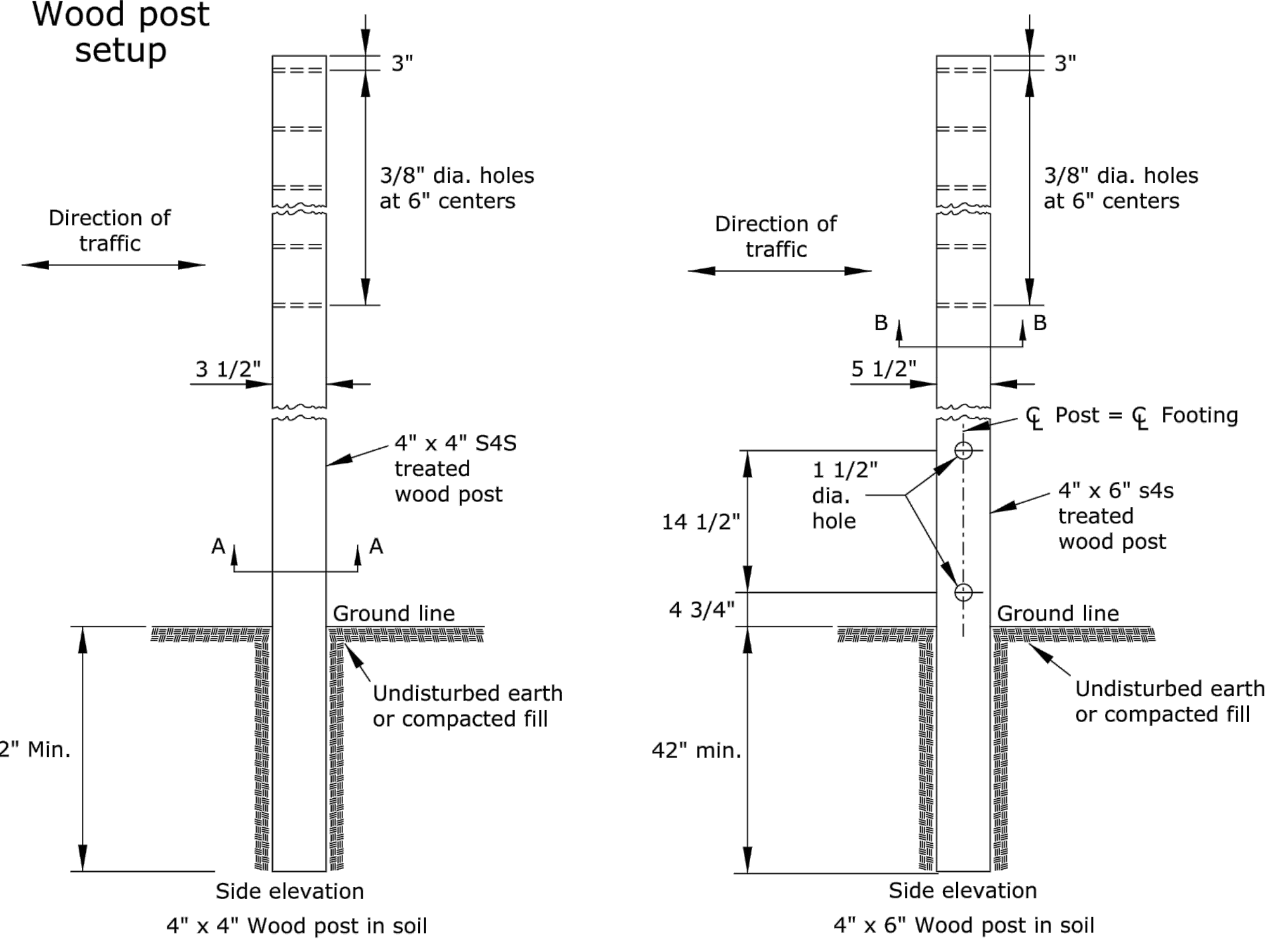


Perforated square steel tube (P.S.S.T.) post setup

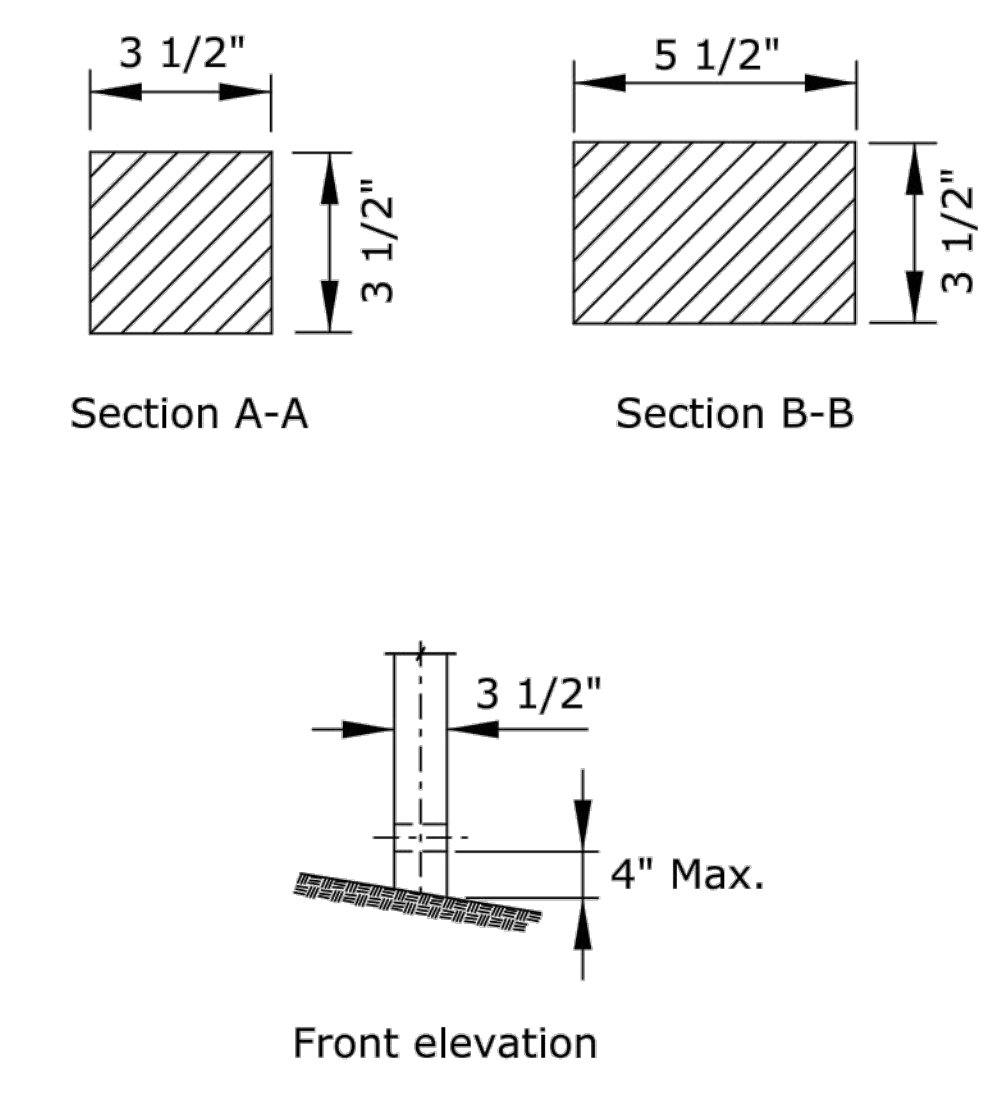


Details for 2", 2 1/4", or 2 1/2" sign posts
Place bolts in the same corner along each sign post.

Wood post setup

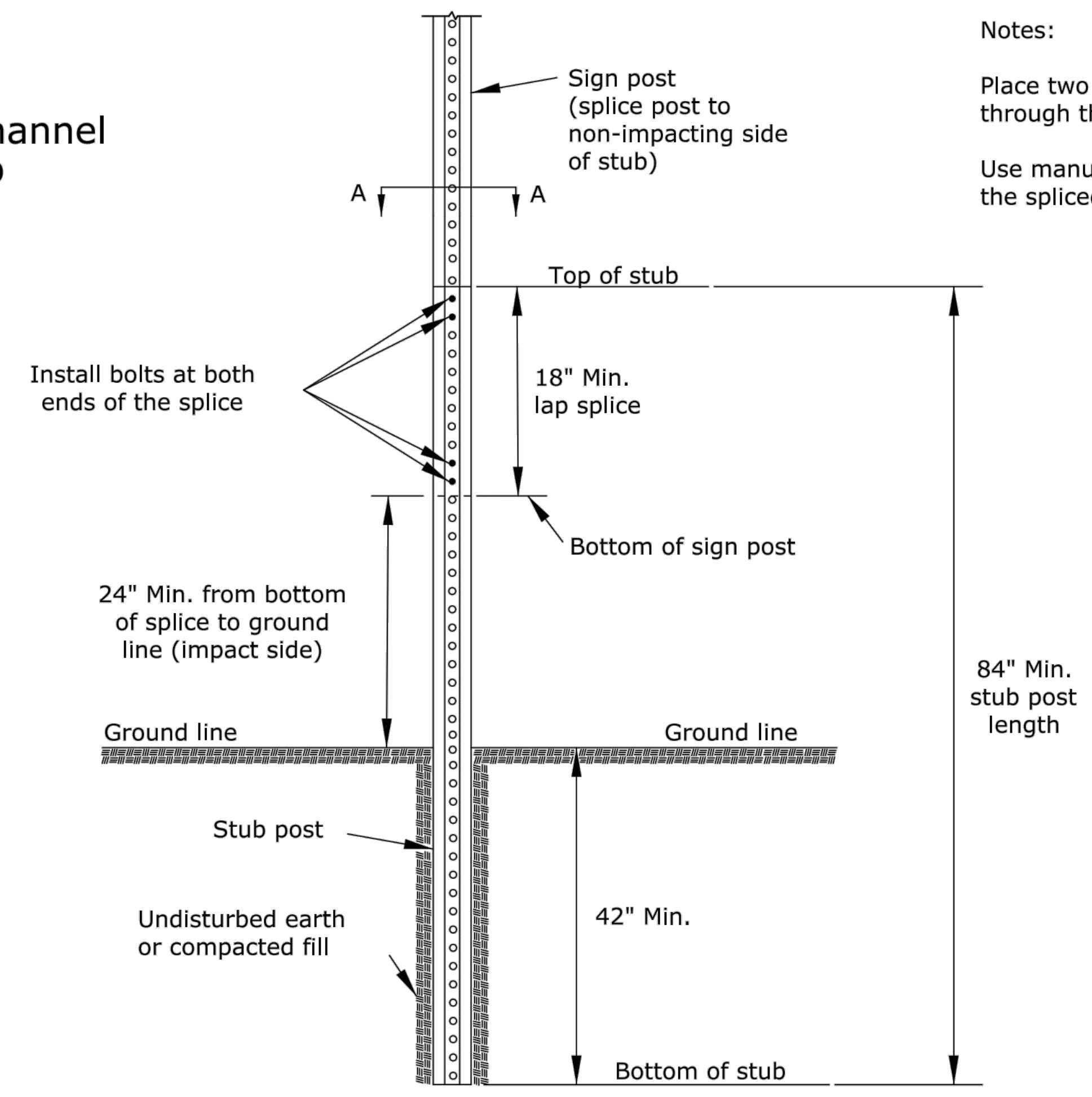


STATE	PROJECT NO.	YEAR	SHEET NO.	TOTAL SHEETS
KANSAS	87 N-0662-01	2019	164	194

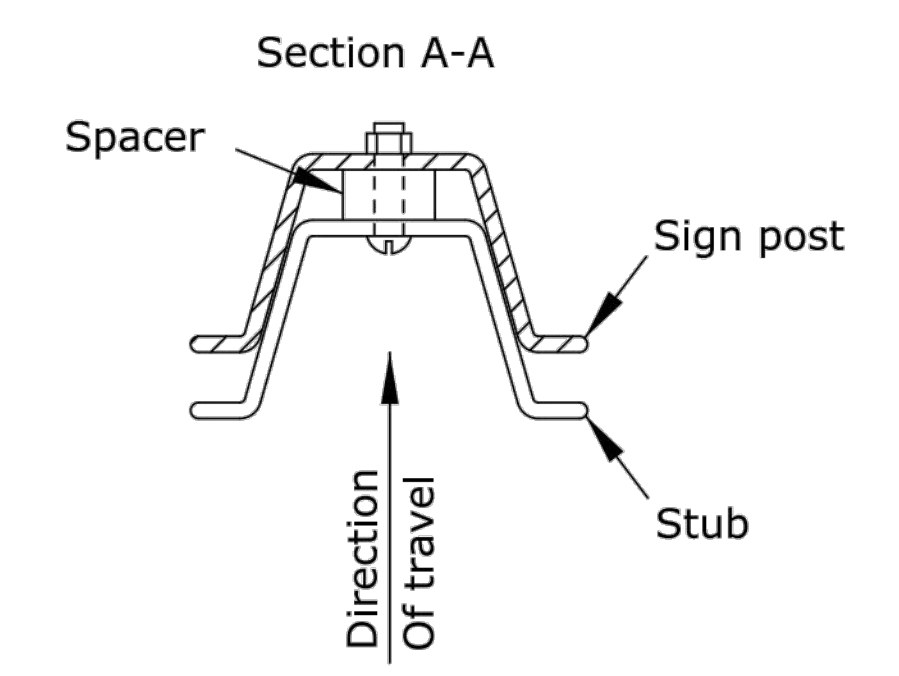


See TE710 for additional details and requirements

3 lb/f U-Channel setup



Notes:
Place two bolts at both ends of the splice through the holes nearest the ends of the splice.
Use manufacturer recommended spacers over the bolts between the spliced pieces of U-Channel.



3				
2				
1				
NO.	DATE	REVISIONS	BY	APP'D

KANSAS DEPARTMENT OF TRANSPORTATION

TRAFFIC CONTROL SIGN POSTS

TE712

DESIGNED	B.A.H./DETAILED	06/01/15	APP'D	Kristina Pyle
DESIGN CK.	DETAIL CK.	QUAN. CK.	TRACE CK.	

KDOT Graphics Certified 06-01-2015 Sh. No. 164

J:\CDM\041770\G01\CD04177-CD04.DWG PLOTTED: Tuesday, September 03, 2019 @ 04:37PM