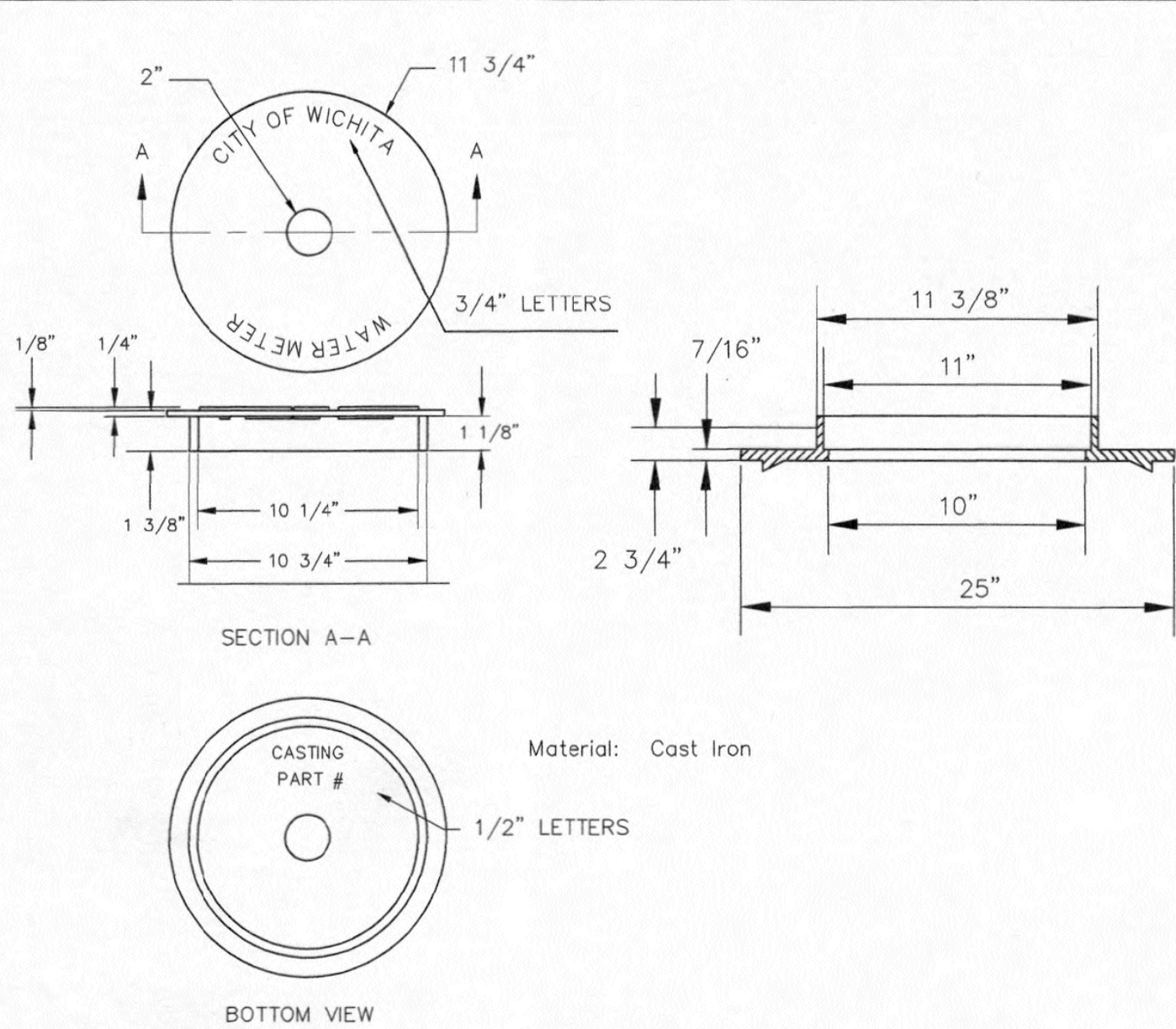


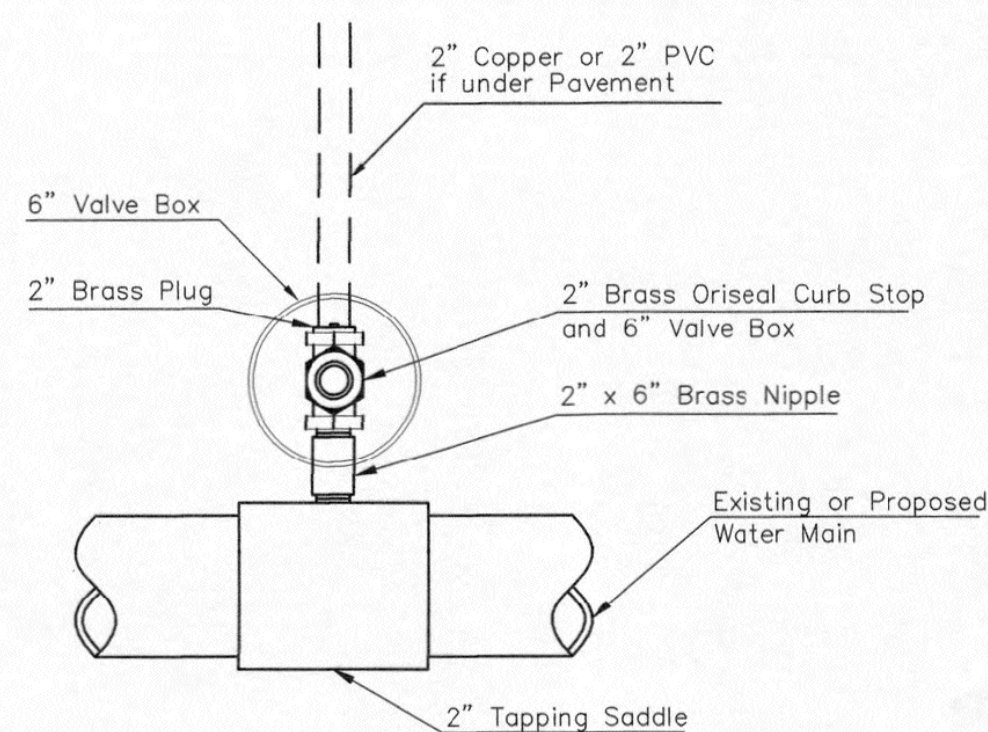
TYPICAL 1" METER SETTING



NOT TRAFFIC RATED RING & LID FOR 1" METER BOX

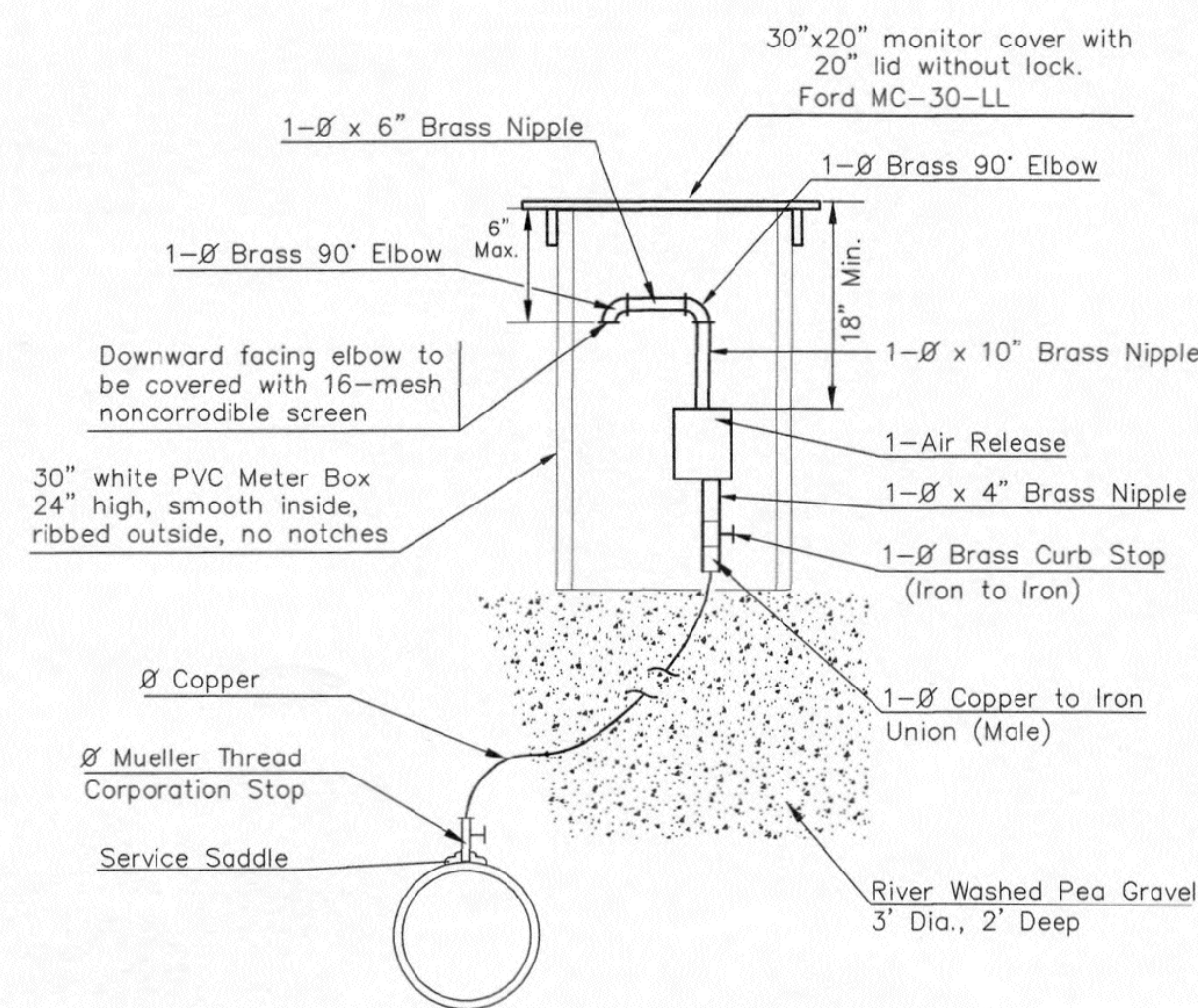
- NOTE:
- 1 -  $\beta$  Mueller Thread Corporation Stop
  - 1 -  $\beta$  Type "K" Copper Tubing
  - 1 -  $\beta$  Copper to Iron Union (Male)
  - 1 -  $\beta$  Brass Curb Stop (Iron to Iron)
  - 2 -  $\beta$ x4" Brass Nipple
  - Air Release
  - 2 -  $\beta$  Brass Elbows (90°)
  - 1 - 1"x6" Brass Nipple
  - 1 - 30" Monitor Cover
  - 1 - 20" Meter Lid

THE 1 1/2" AIR RELEASE ASSEMBLY WILL TYPICALLY BE USED ON WATER MAINS 24" AND SMALLER, AS SPECIFICALLY DESIGNATED IN THE PLANS. COMBINATION AIR RELEASE ASSEMBLIES WILL BE SPECIFICALLY DESIGNED FOR PROJECTS WITH LARGER MAINS, AND WILL BE INCLUDED IN THE PLANS.

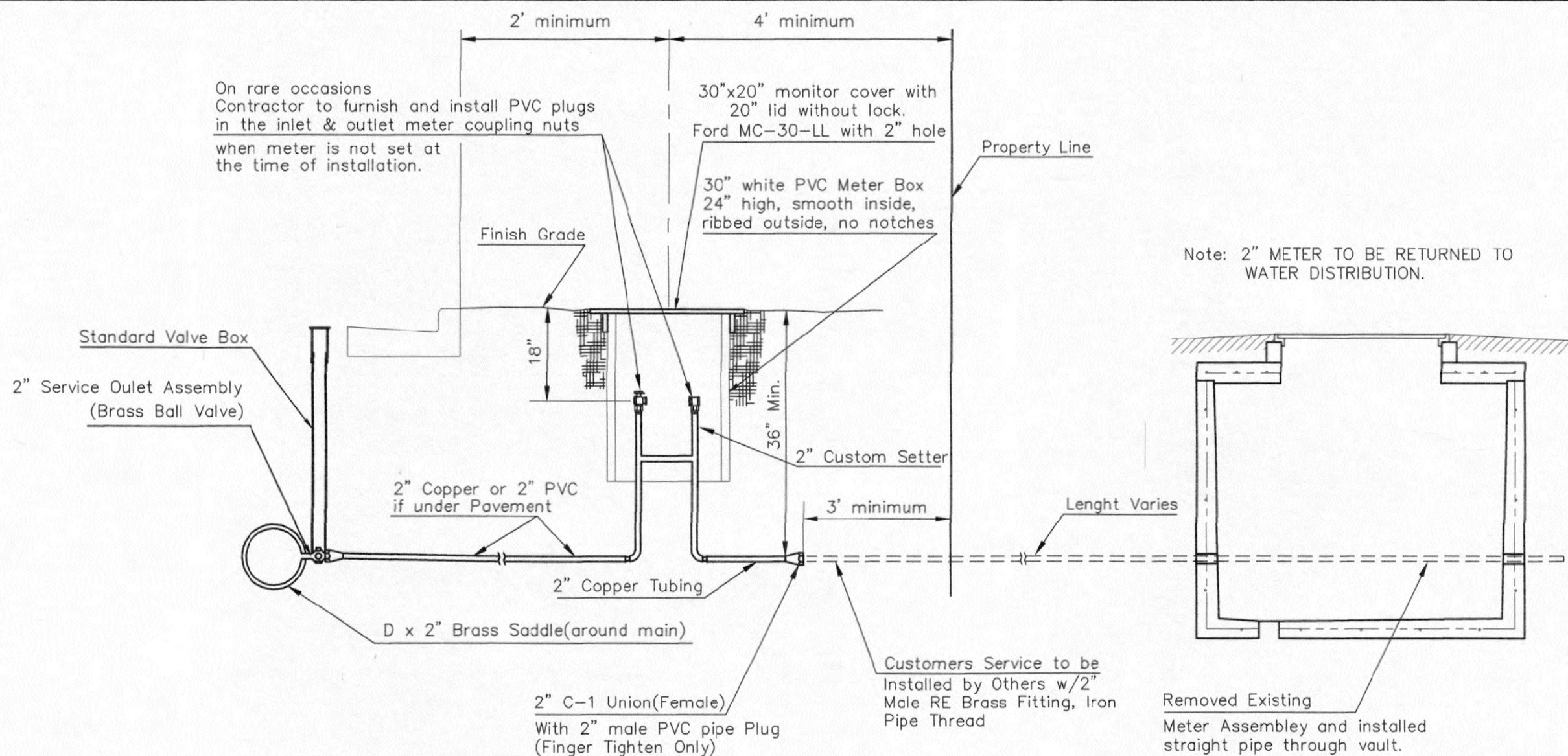


Note: Where the 2" Service Outlet Assembly is to be used to connect a 2" main to another main, the 2" valve shall be a 2" IPT Gate Valve. 2" ball or globe valves shall not be approved for this use.

2" SERVICE OUTLET ASSEMBLY TOP VIEW



MATERIALS FOR 1" or 2" AIR RELEASE ASSEMBLY  $\emptyset = 1" \text{ or } 2"$

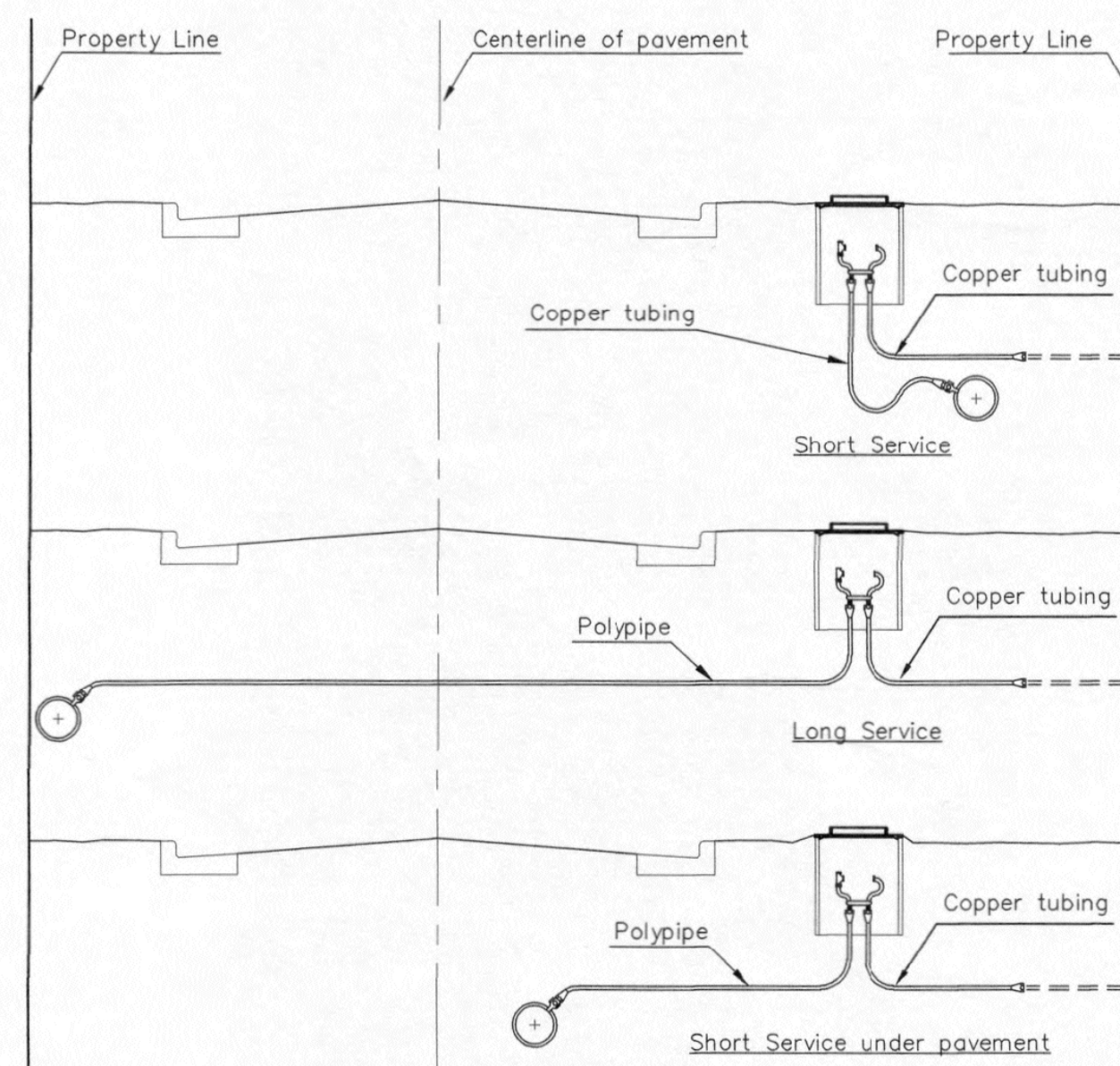


TYPICAL 2" METER SETTING

Note: ONE VALVE STEM EXTENSION FOR EACH VALVE BURIED GREATER THAN 5'.

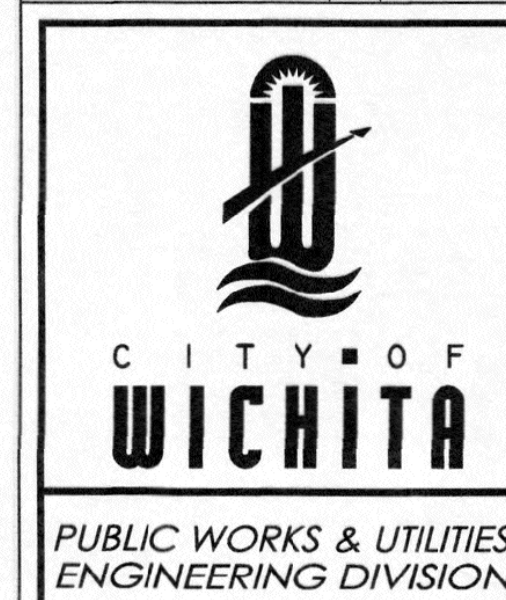
TYPICAL 2" METER SETTING INVOLVING EXISTING 2" METER VAULT

Note: ONE VALVE STEM EXTENSION FOR EACH VALVE BURIED GREATER THAN 5'.



SERVICE TYPES

REVISED: DECEMBER 2018 TM BRASS NIPPLE LENGTH TO 10" ON THE 1" OR 2" AIR RELEASE ASSEMBLY



STANDARD WATER SERVICE DETAIL		
CITY ENGINEER		
GARY JANZEN, P.E.		
PROJECT NUMBER	OCA NUMBER	DATE
448-2019-010176	639108	
CITY ENGINEER'S OFFICE		SHEET
CITY HALL - SEVENTH FLOOR 455 NORTH MAIN STREET WICHITA, KANSAS 67202-1620 (316) 268-4501		

WL-102

WATERLINE RELOCATION AT KELLOGG AND OSAGE STREET

GARY JANZEN, P.E. - CITY ENGINEER  
CITY OF WICHITA PROJECT NO. 448-2019-010176

Issue:	
JOB NO.	35-197042-009-042
DATE	AUGUST 2019
PM	RWG
DESIGNED BY	RWG
DRAWN BY	CSL
CHECKED BY	TBK
STANDARD WATER SERVICE DETAILS	

C508

