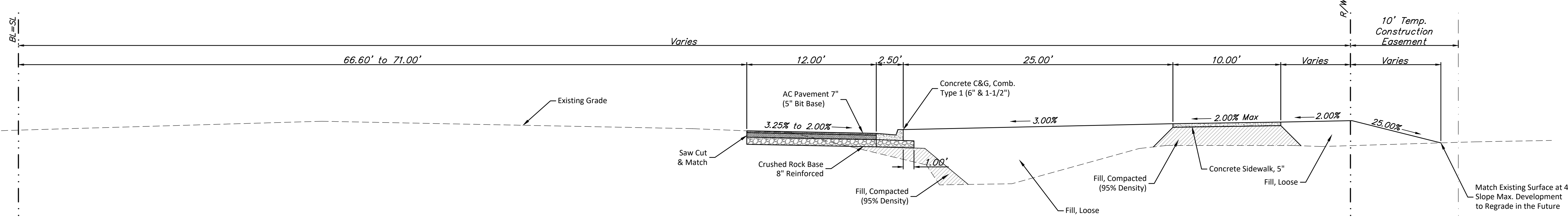


**MAIZE ROAD**  
**STA. 95+77.00 to 96+50.00**

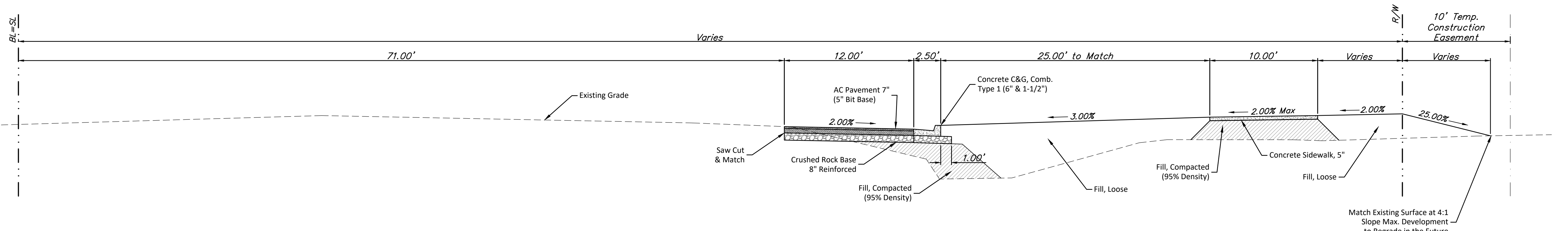
1" = 5'

**PAVEMENT SPECS:**  
 BM-2  
 PG 64-22 (Base)  
 PG 70-28 (Surface)



**MAIZE ROAD**  
**STA. 96+50.00 to 99+00.00**

1" = 5'



**MAIZE ROAD**  
**STA. 99+00.00 to 99+19.36**

1" = 5'

**BAUGHMAN COMPANY**  
 315 Ellis St. Wichita, KS 67211 316-262-7271  
 baughmanco.com

29TH STREET & MAIZE ROAD INTERSECTION  
**TYPICAL SECTIONS**  
**MAIZE ROAD**  
 PAVING & STORMWATER IMPROVEMENTS

PROJECT NUMBER: 472-85412  
 INTERNAL NUMBER: 18-12-E137  
 DESIGN: LP  
 DRAWN: LP  
 DATE: Oct, 2019  
 SHEET  
 OF  
**8**  
**47**