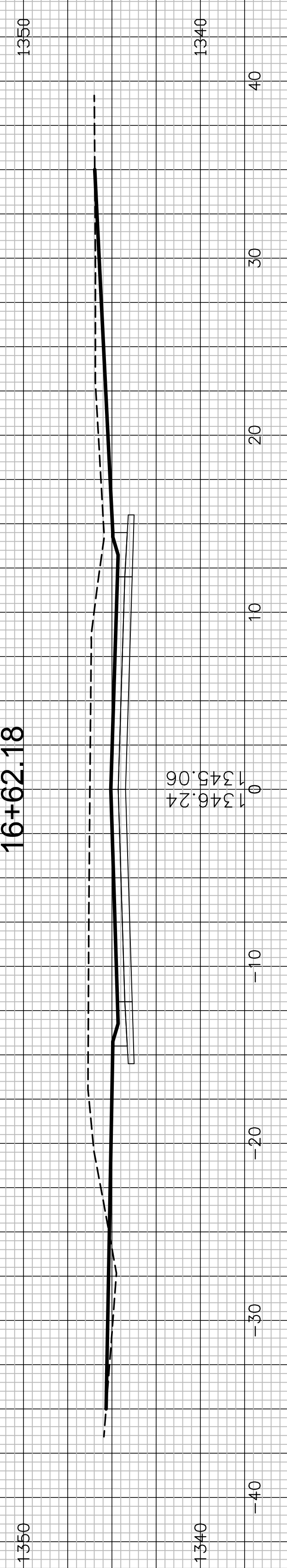
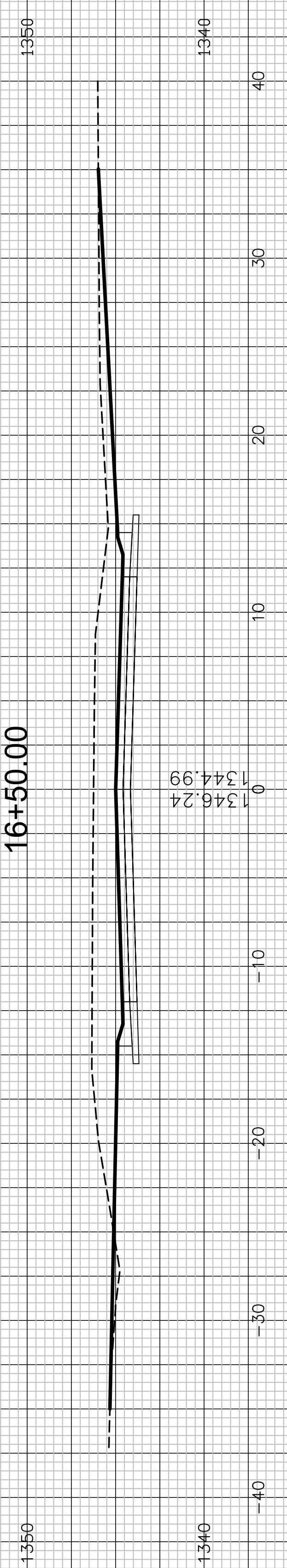


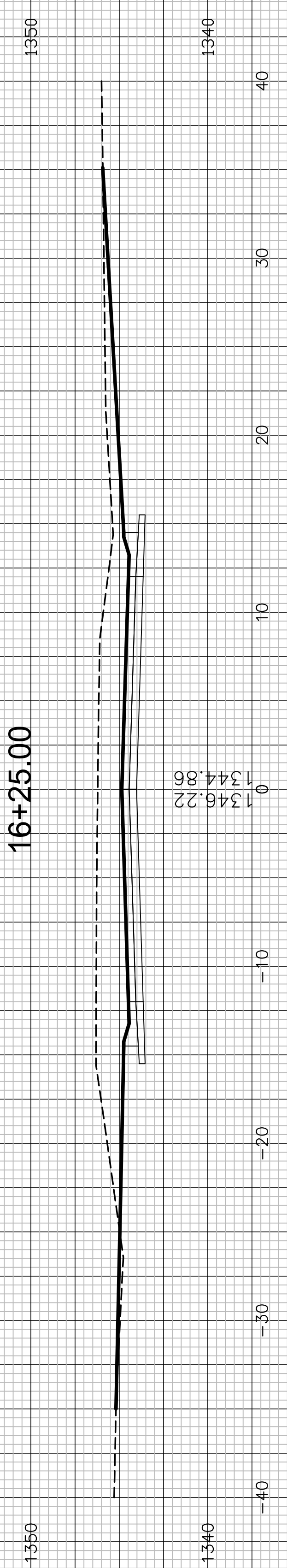
16+62.18



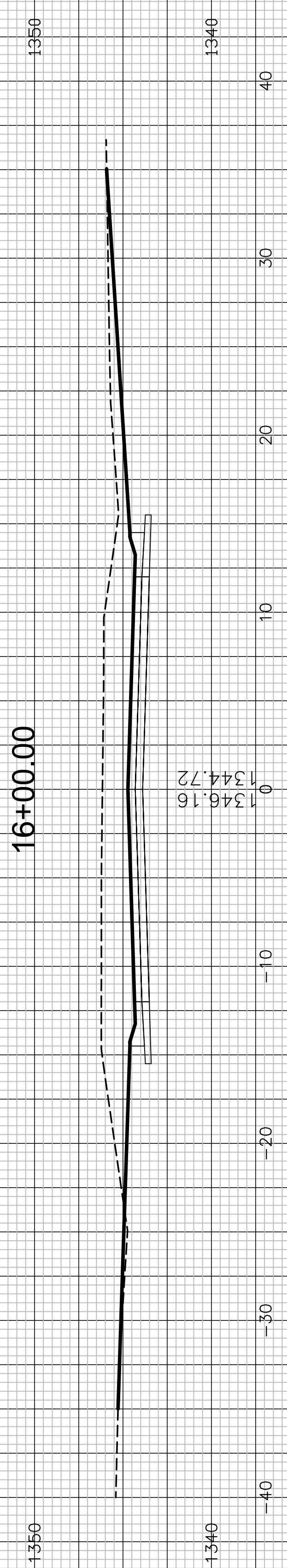
16+50.00



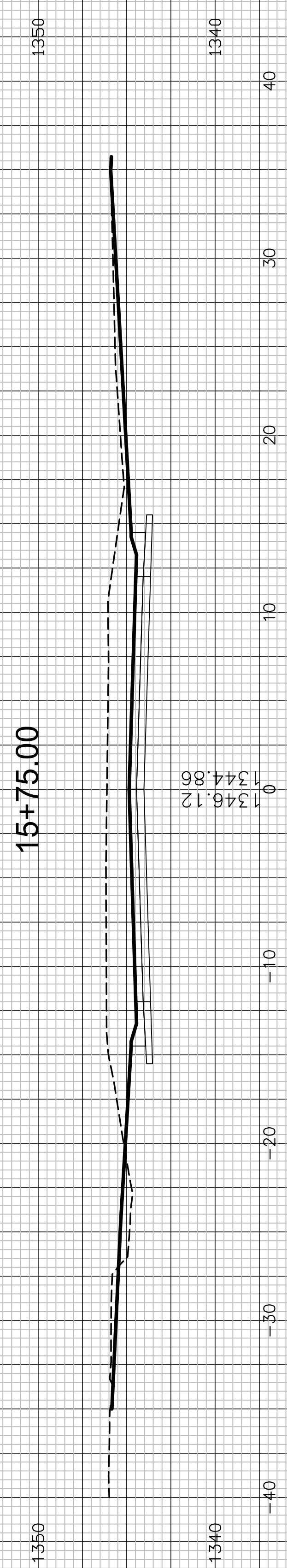
16+25.00



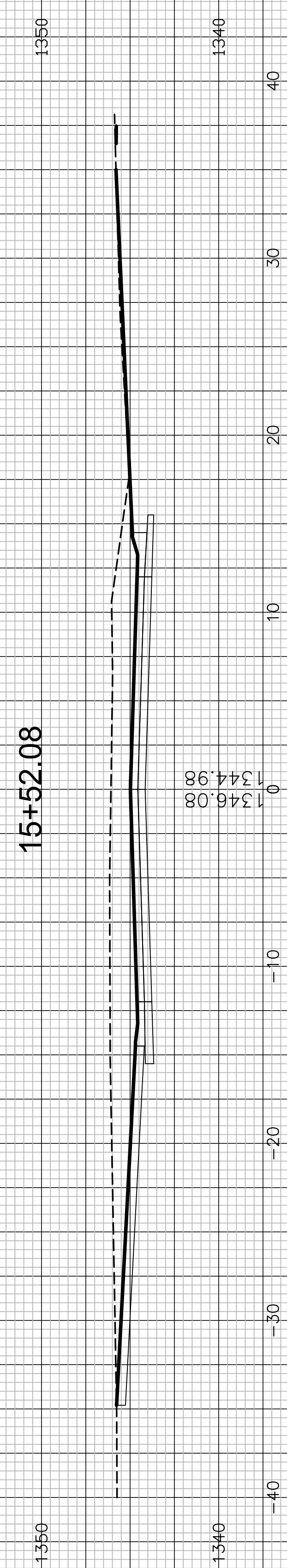
16+00.00



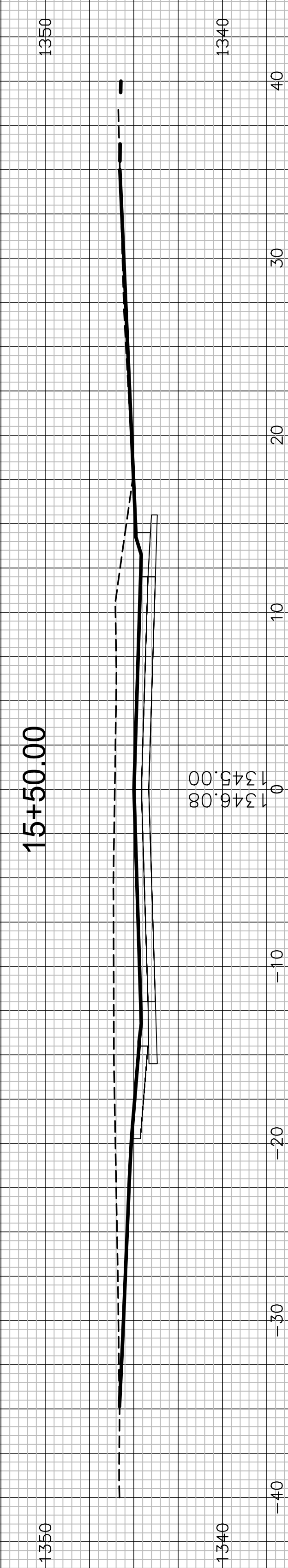
15+75.00



15+52.08



15+50.00



15+25.00

