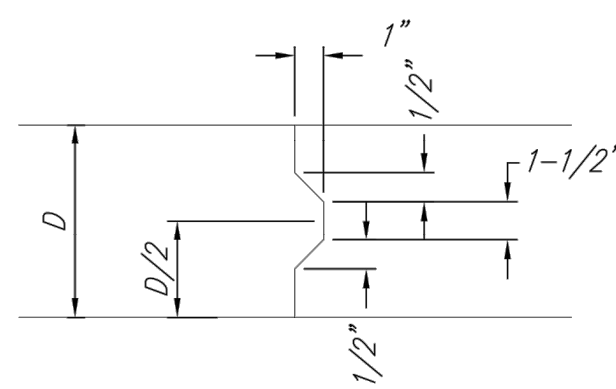
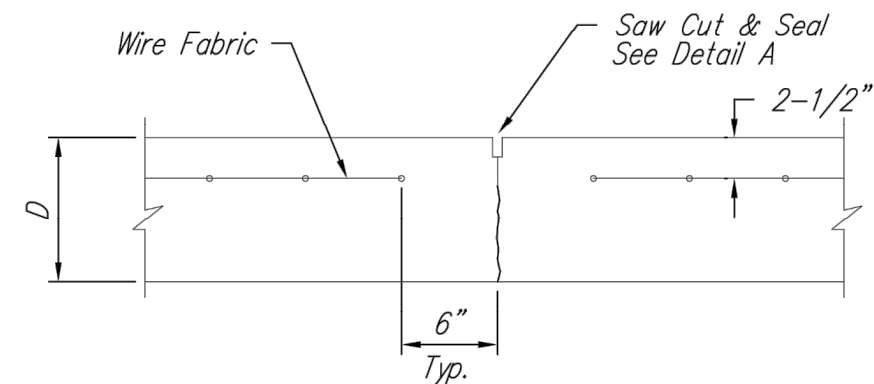


**EXPANSION JOINT**

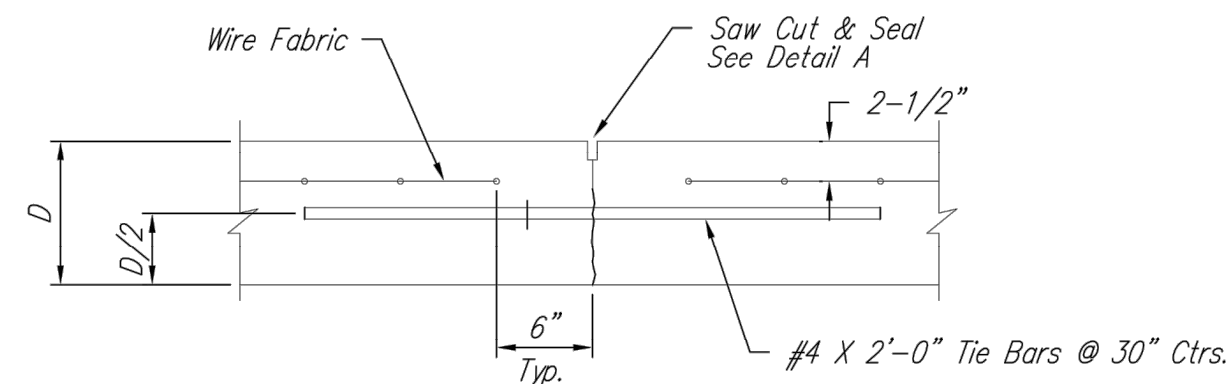
NOTE: Extra Thickness to be Subsidiary to Price of Square Yards Pavement



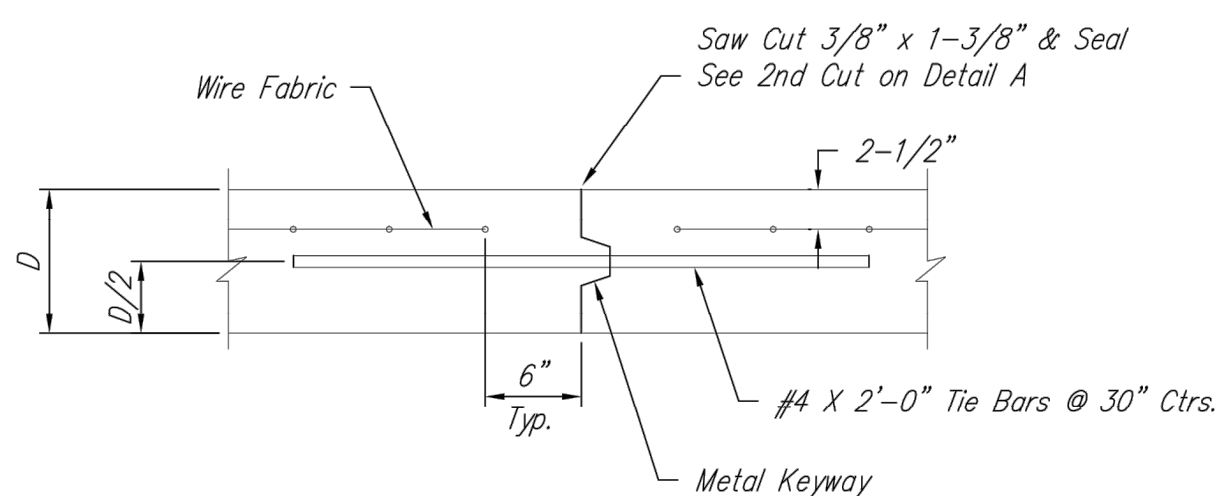
**KEYWAY DETAIL**



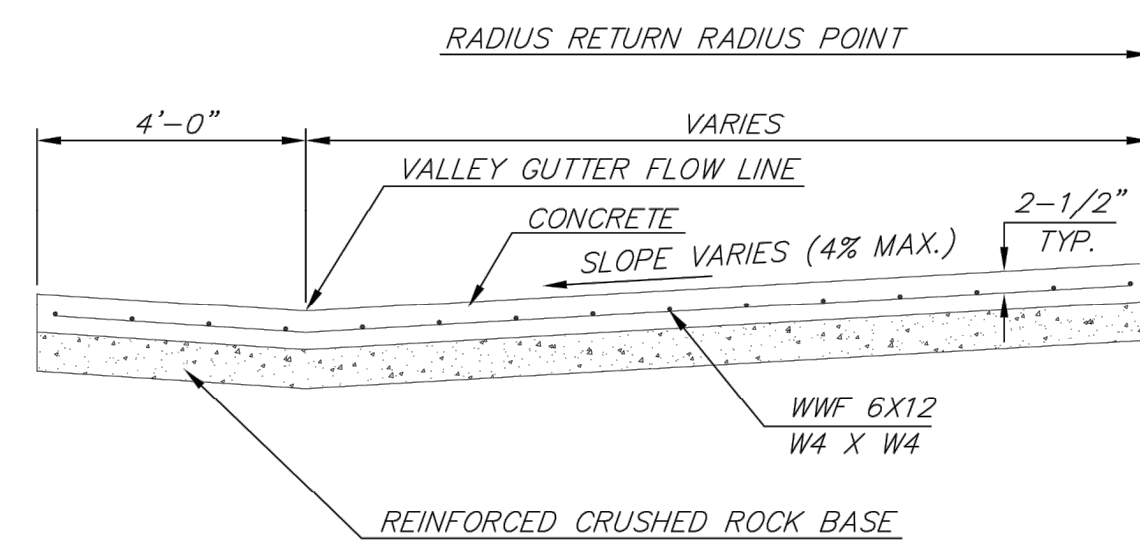
**CONTRACTION JOINT DETAIL (C.J.)**



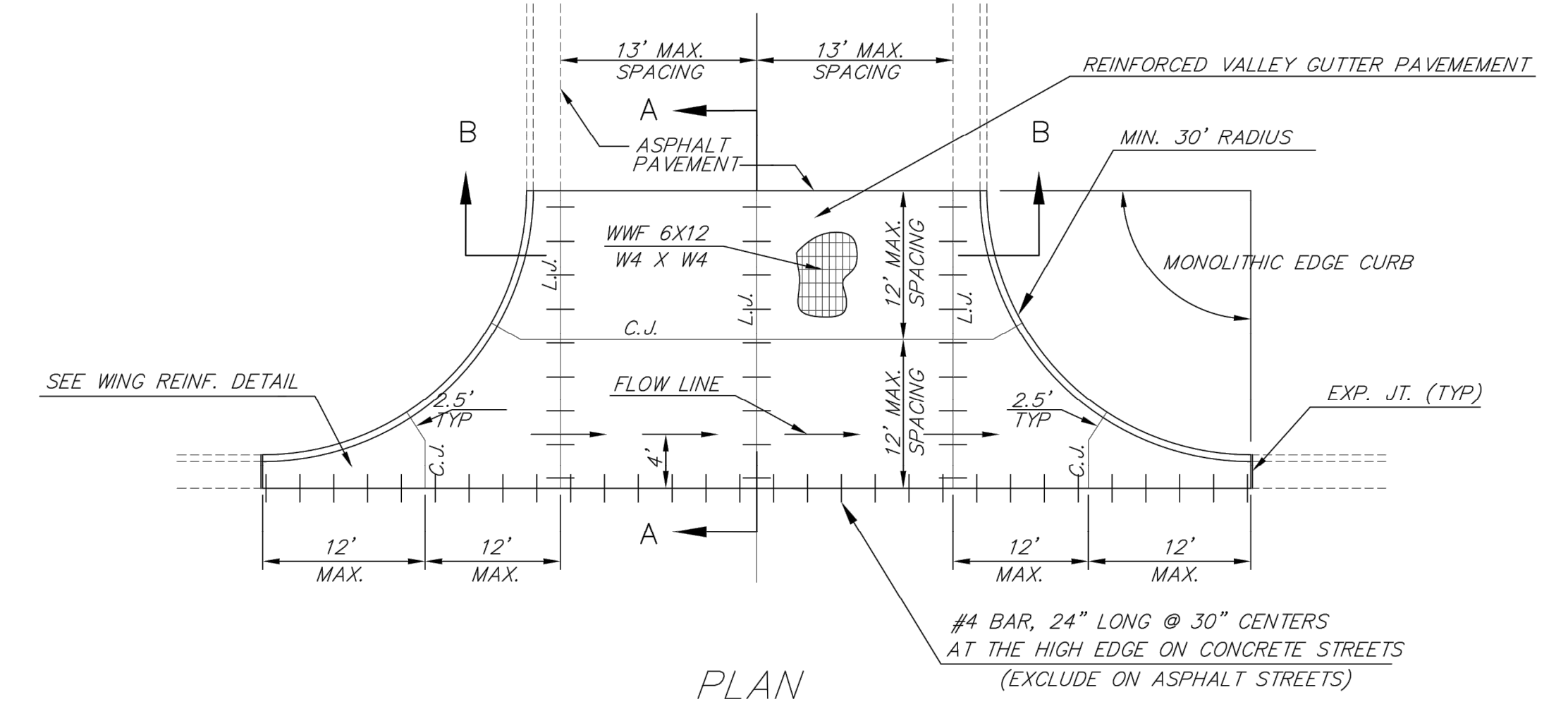
**LONGITUDINAL JOINT DETAIL (L.J.)**



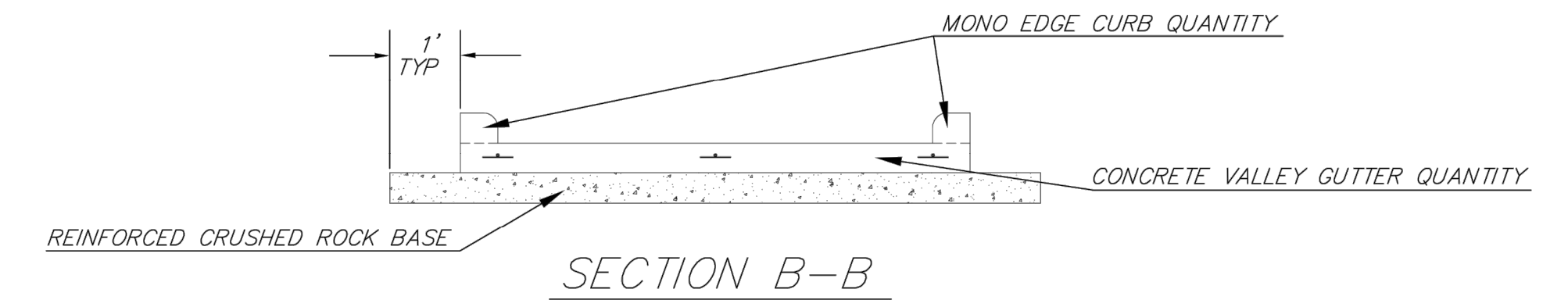
**OPTIONAL LONGITUDINAL JOINT DETAIL (L.J.)**



**SECTION A-A**

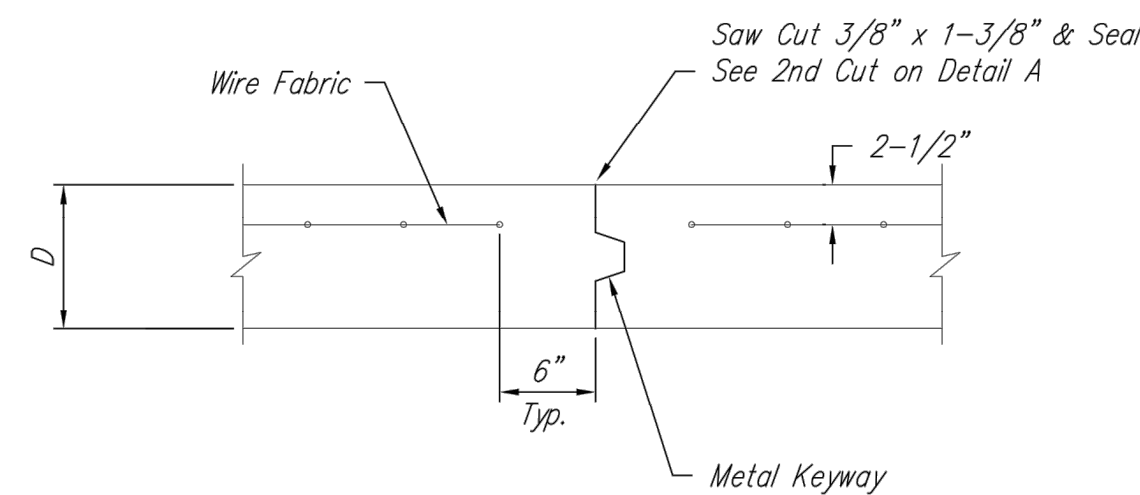


**PLAN**

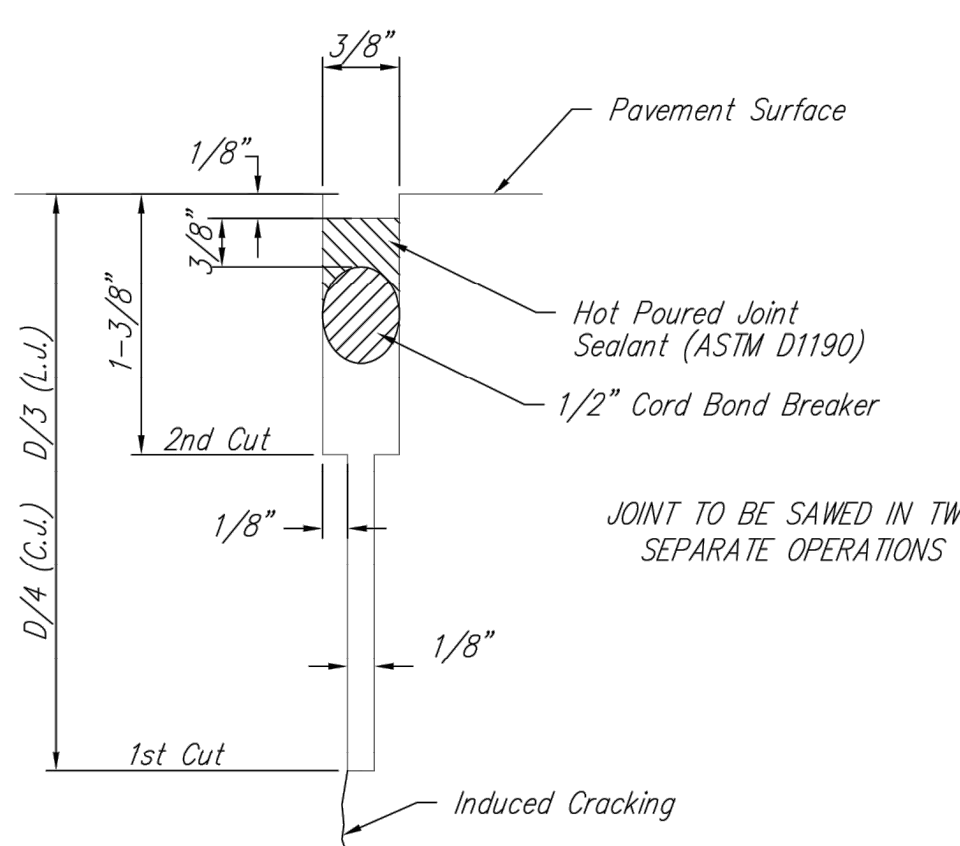


**SECTION B-B**

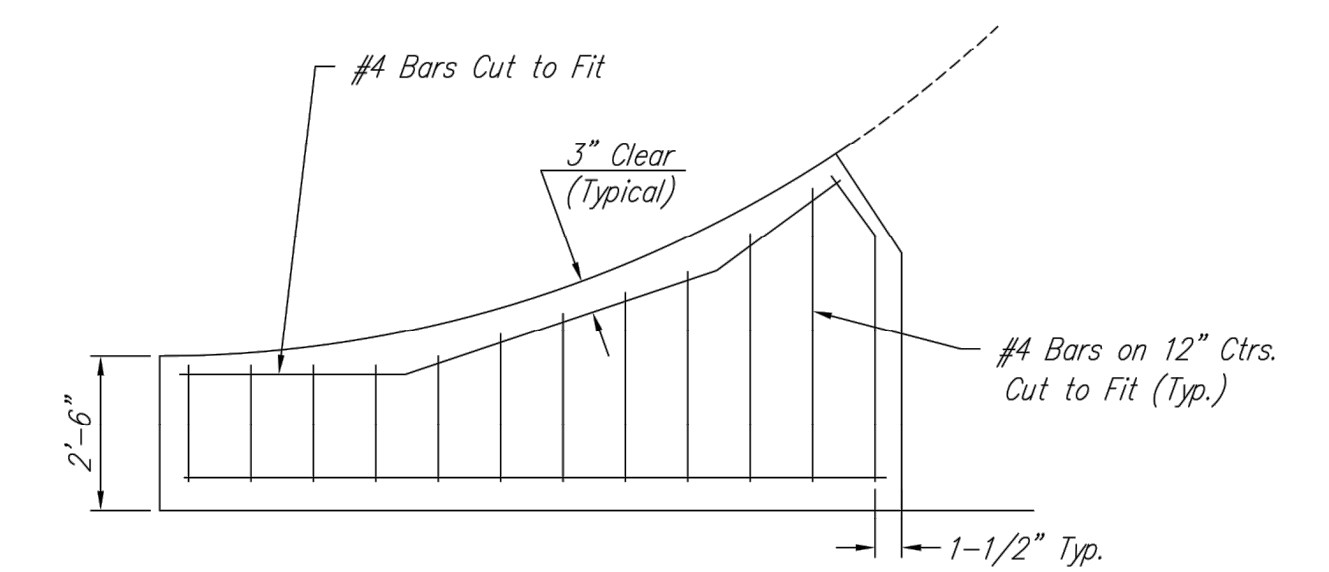
**REINFORCED VALLEY GUTTER DETAIL**



**OPTIONAL CONTRACTION JOINT**



**SAW JOINT DETAIL (DETAIL A)**



**WING REINFORCING DETAIL**

REVISION MAY 2017	SECTION B-B, ROCK EXTENDED ONE FOOT BEYOND PAVEMENT		
<p><b>CITY OF WICHITA</b> PUBLIC WORKS &amp; UTILITIES ENGINEERING DIVISION</p>	<b>VALLEY GUTTER DETAILS</b>		
	CITY ENGINEER <b>GARY JANZEN, P.E.</b>		
PROJECT NUMBER <b>472-84010</b>	OCA NUMBER <b>706913</b>	DATE <b>07/2018</b>	
CITY ENGINEER'S OFFICE CITY HALL - SEVENTH FLOOR 455 NORTH MAIN STREET WICHITA, KANSAS 67202-1620 (316) 268-4501			SHEET <b>25</b>