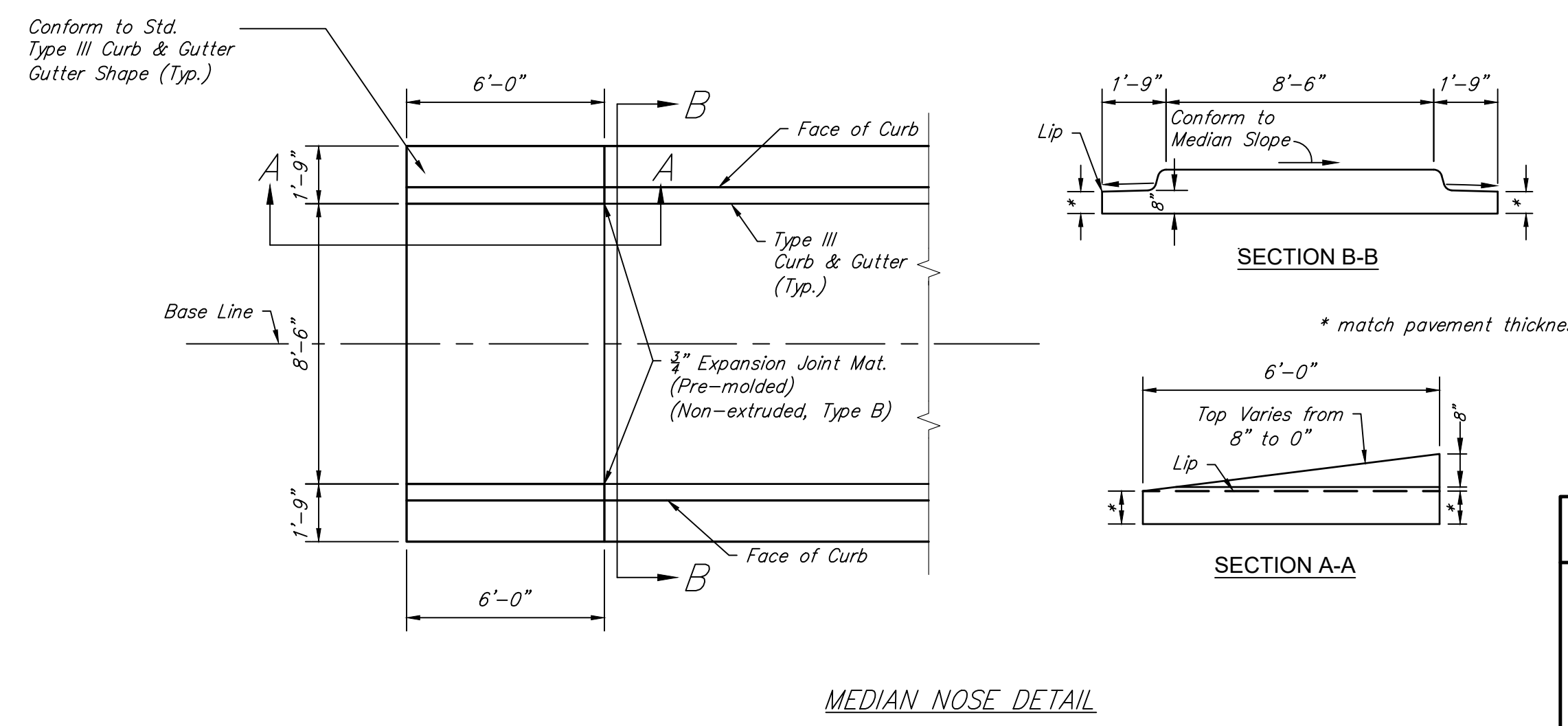


Notes: Concrete Brick Pavers shall be "Holland Stone" (4" x 8" x 3 1/4") color "charcoal-red" by Pavestone, Inc., or equal as approved by the engineer.
 "Brick Pavers" includes 4" crushed rock base, fine sand, paving brick, and all work, materials, etc. to complete the median brick installation.



Drawn By: Schwab-Eaton, P.A.
 Plotted: 5/3/2019 1:39 PM
 File: 15.W01 Typical Sections.dwg

CITY OF WICHITA				
TYPICAL SECTIONS				
DESIGNED	MS	DRAWN	JM	SCALE
CHECKED	MS	DATE	09/18	N.T.S.
				SHEET NO.
				6