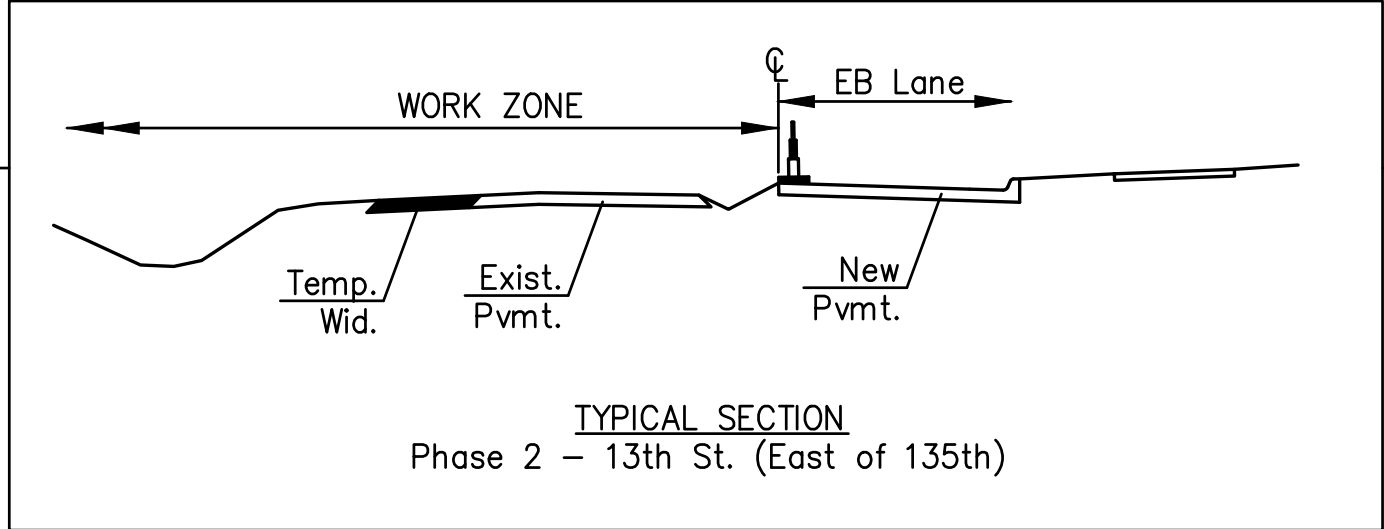
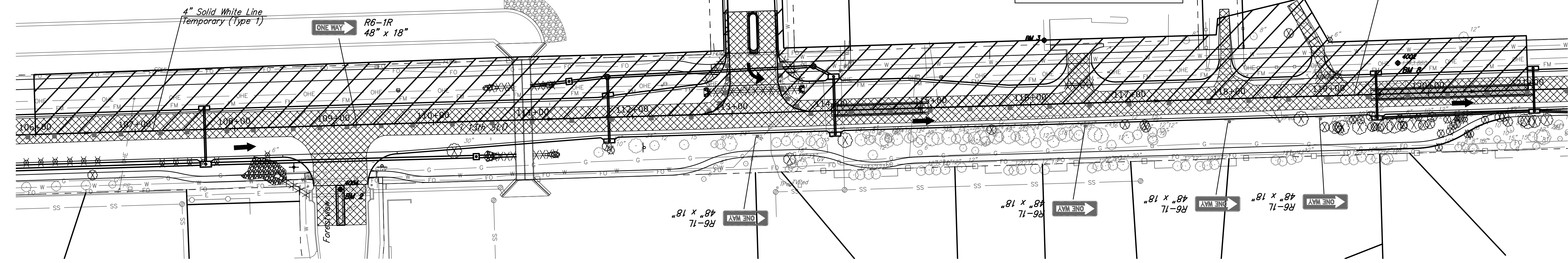




Liberty shall remain open at all times.

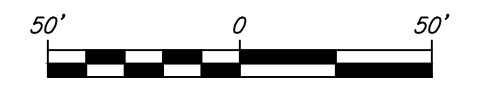
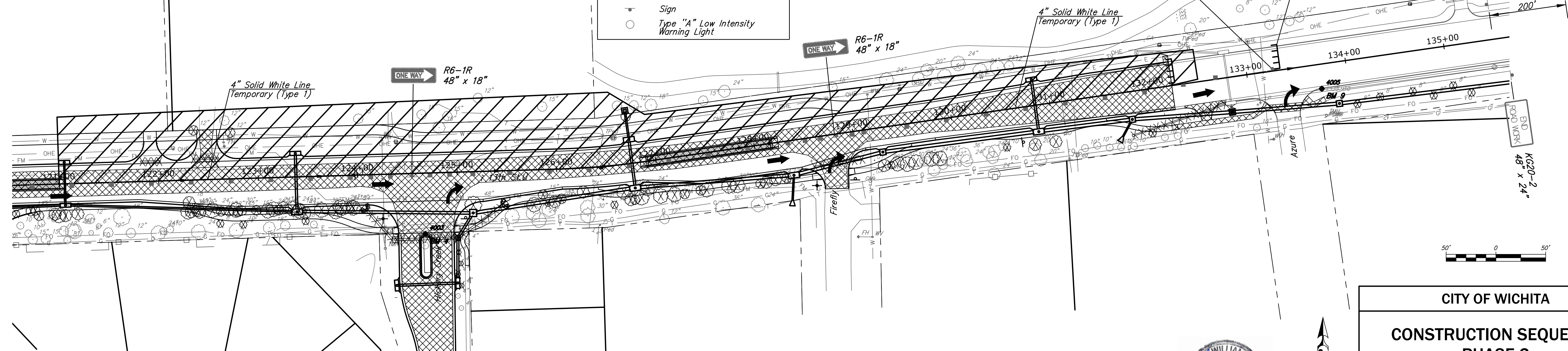
Maintain access to homes at all times.

4" Solid White Line Temporary (Type 1)



LEGEND

- Channelizing Device
- ➔ Traffic Flow
- ▨ Work Zone
- ▧ Temporary Pavement AC Pavement, Temporary 6" (5" Base)
- ▬ Type III Barricades w/Lights (Complete Closure)
- ▬ Type III Barricades (Staggered position)
- ▲ Sign
- Type "A" Low Intensity Warning Light



CITY OF WICHITA

CONSTRUCTION SEQUENCE PHASE 2



DESIGNED	MS	DRAWN	MS	SCALE	No Scale	SHEET NO.	87
CHECKED	MS	DATE	09/18				

Drawn By: Schwab-Eaton, P.A.
 5/13/2019 2:00 PM
 Plotted:
 File: 15.W01 Construction Sequence.dwg