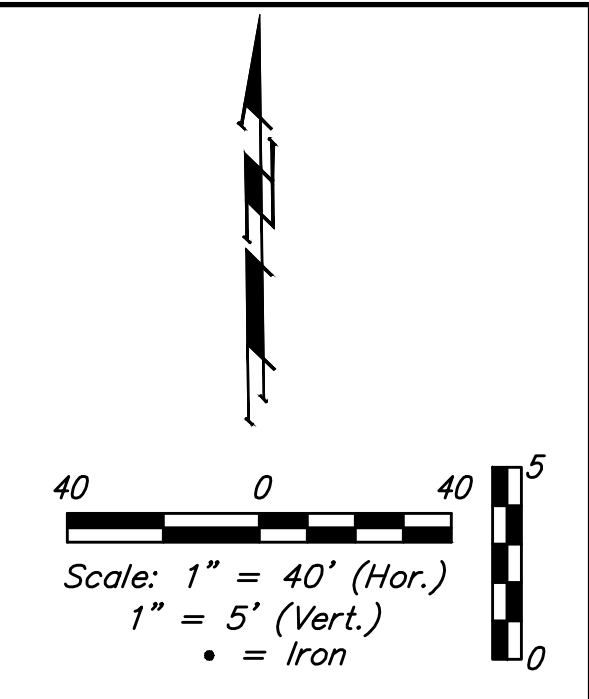
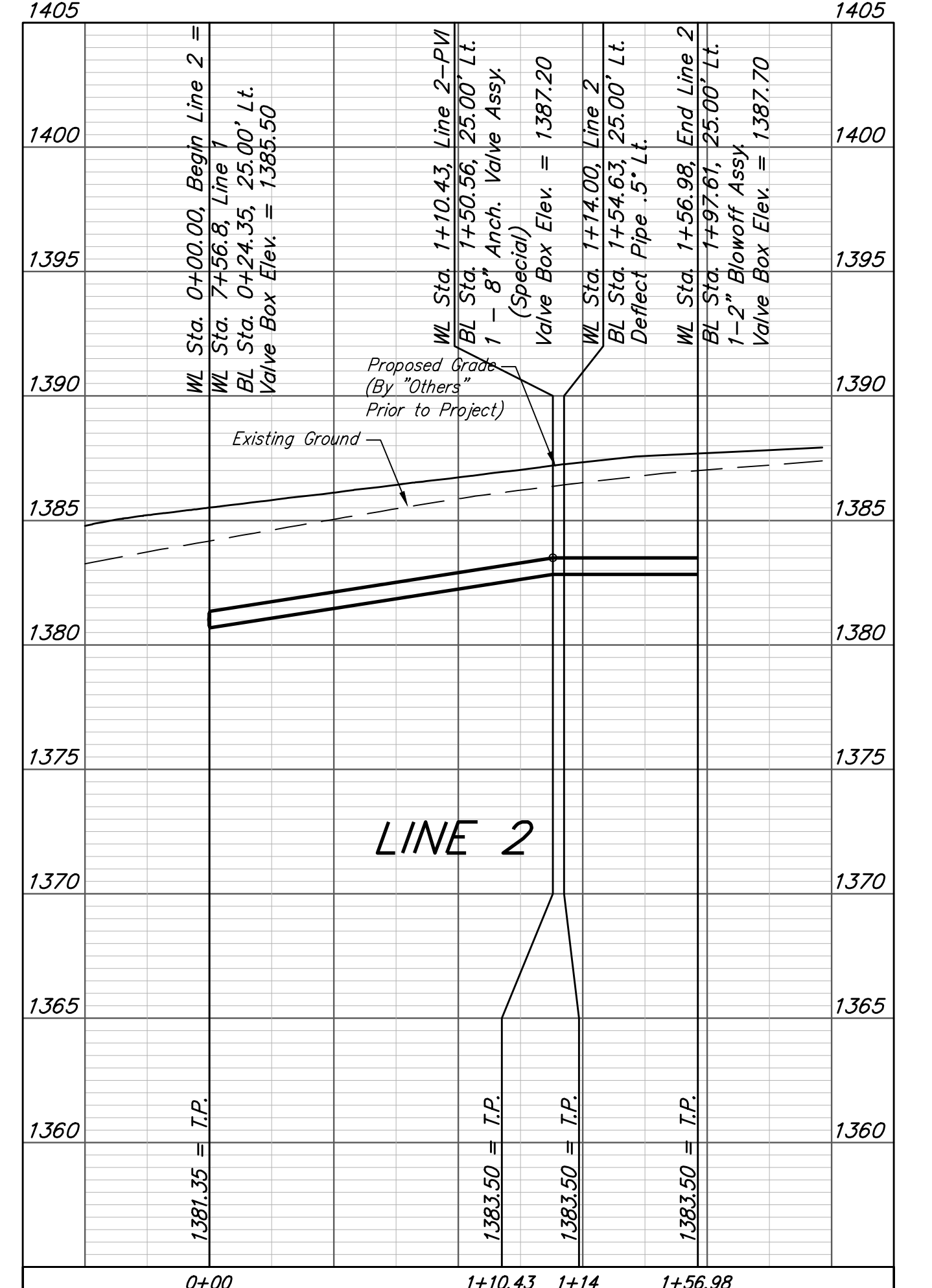
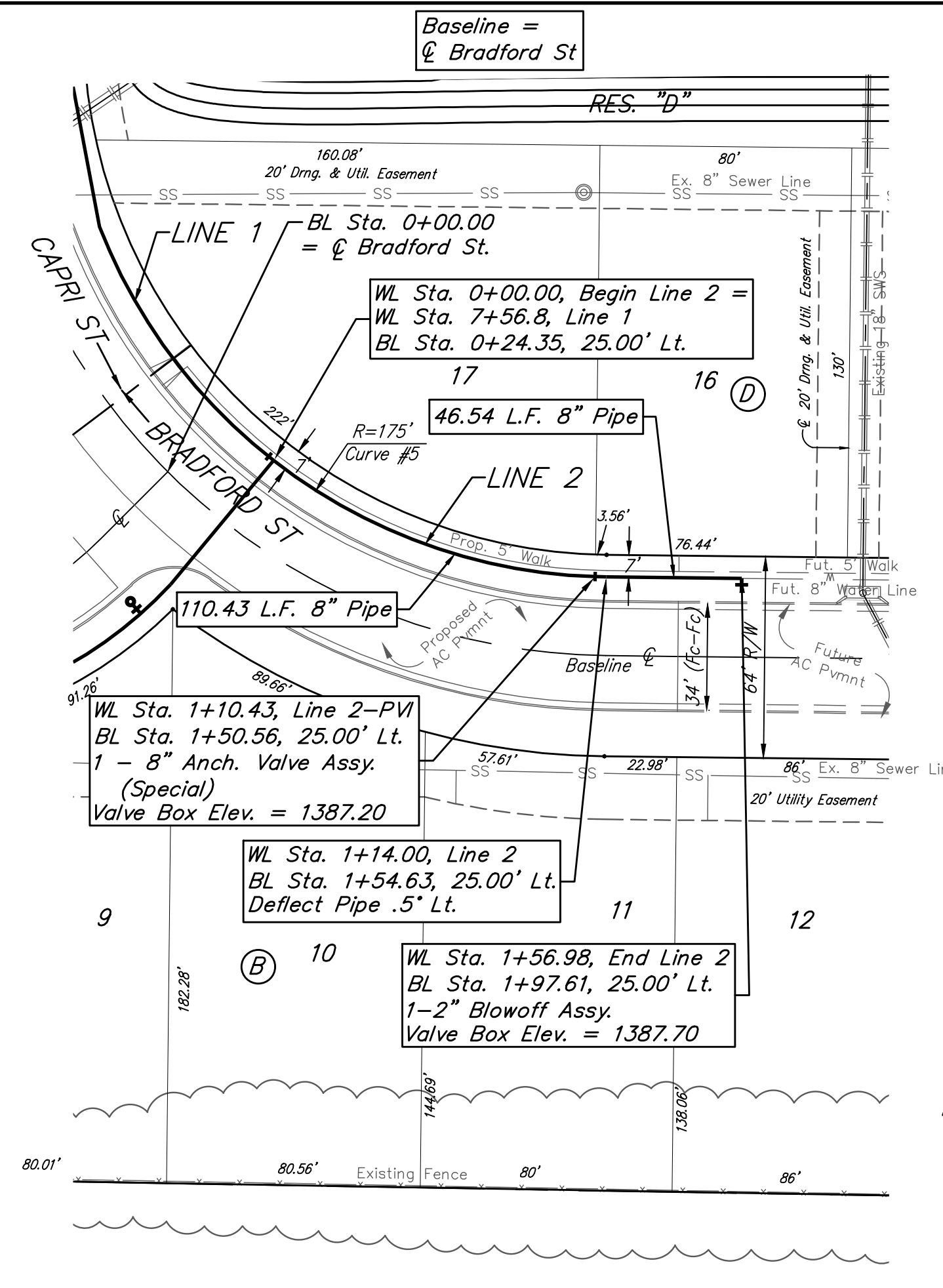
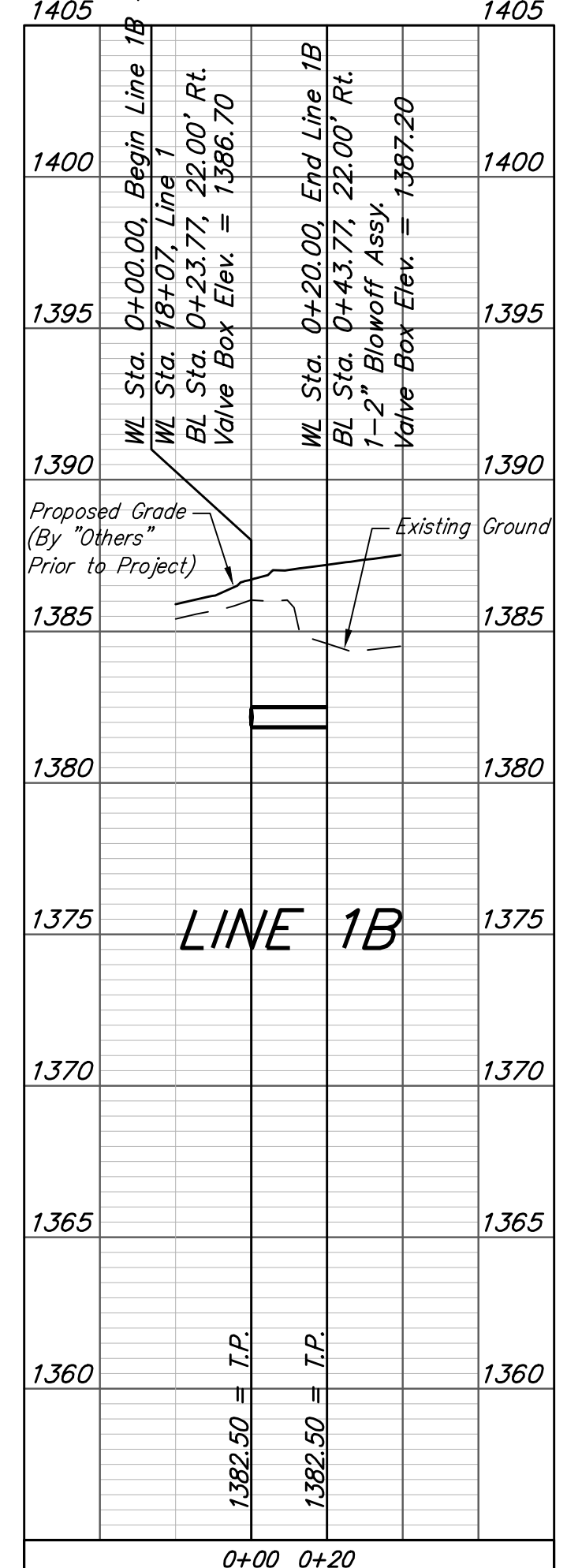
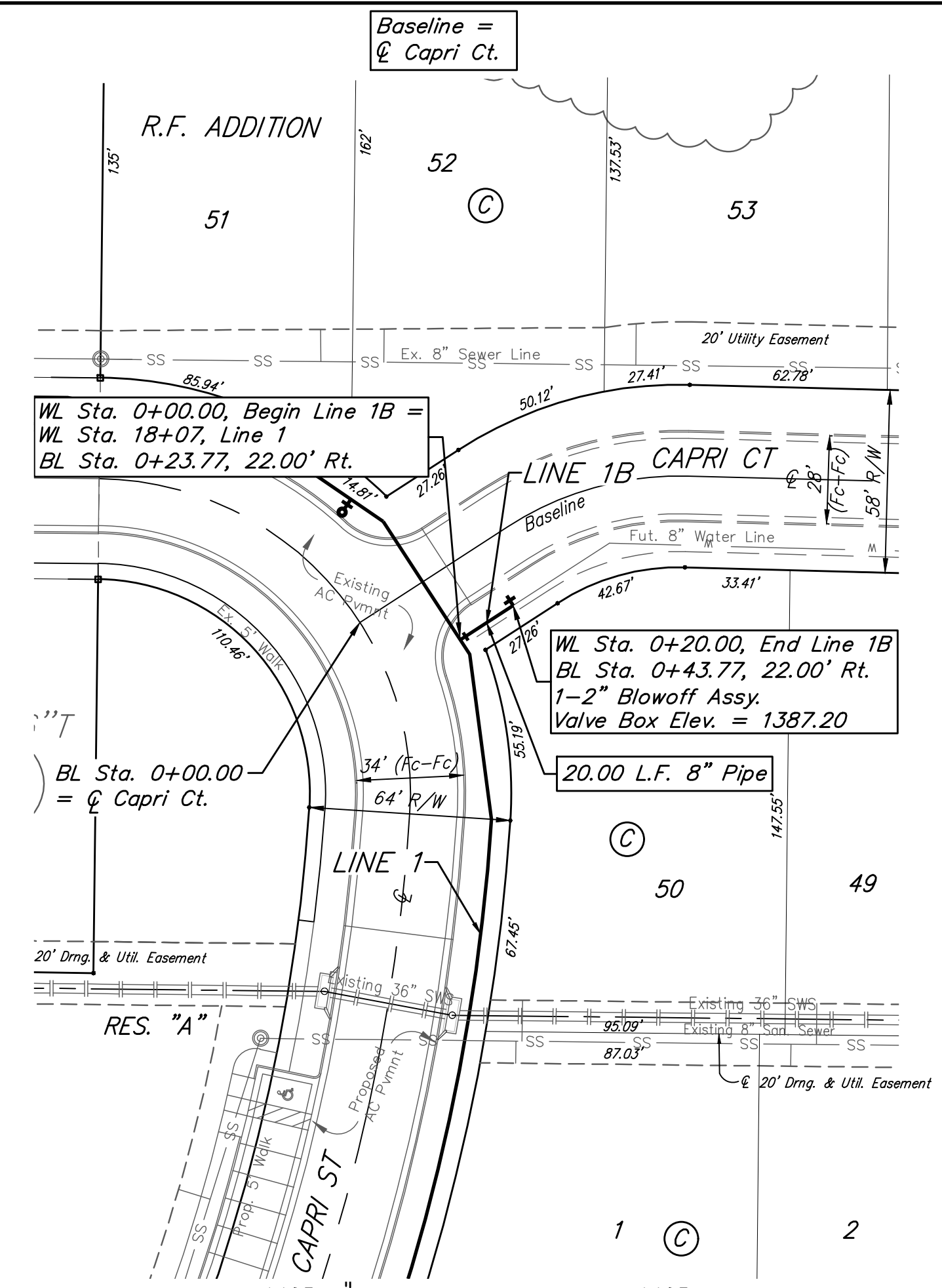
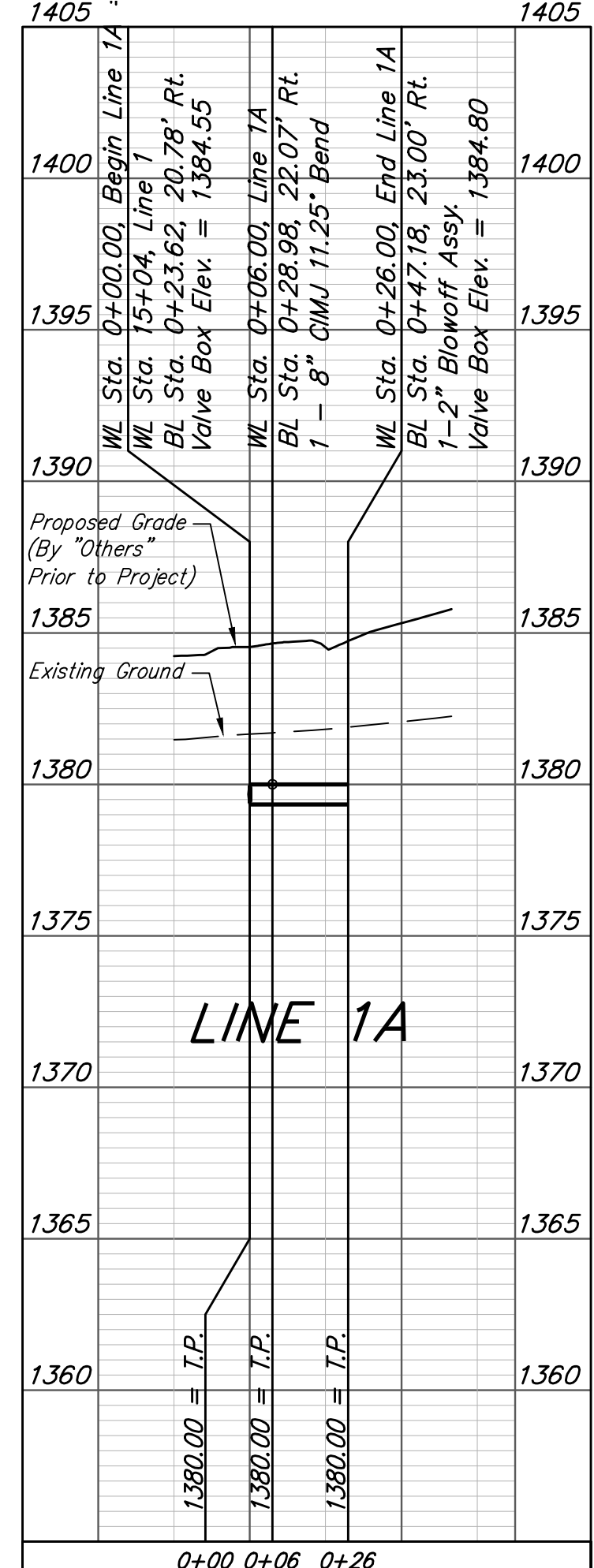
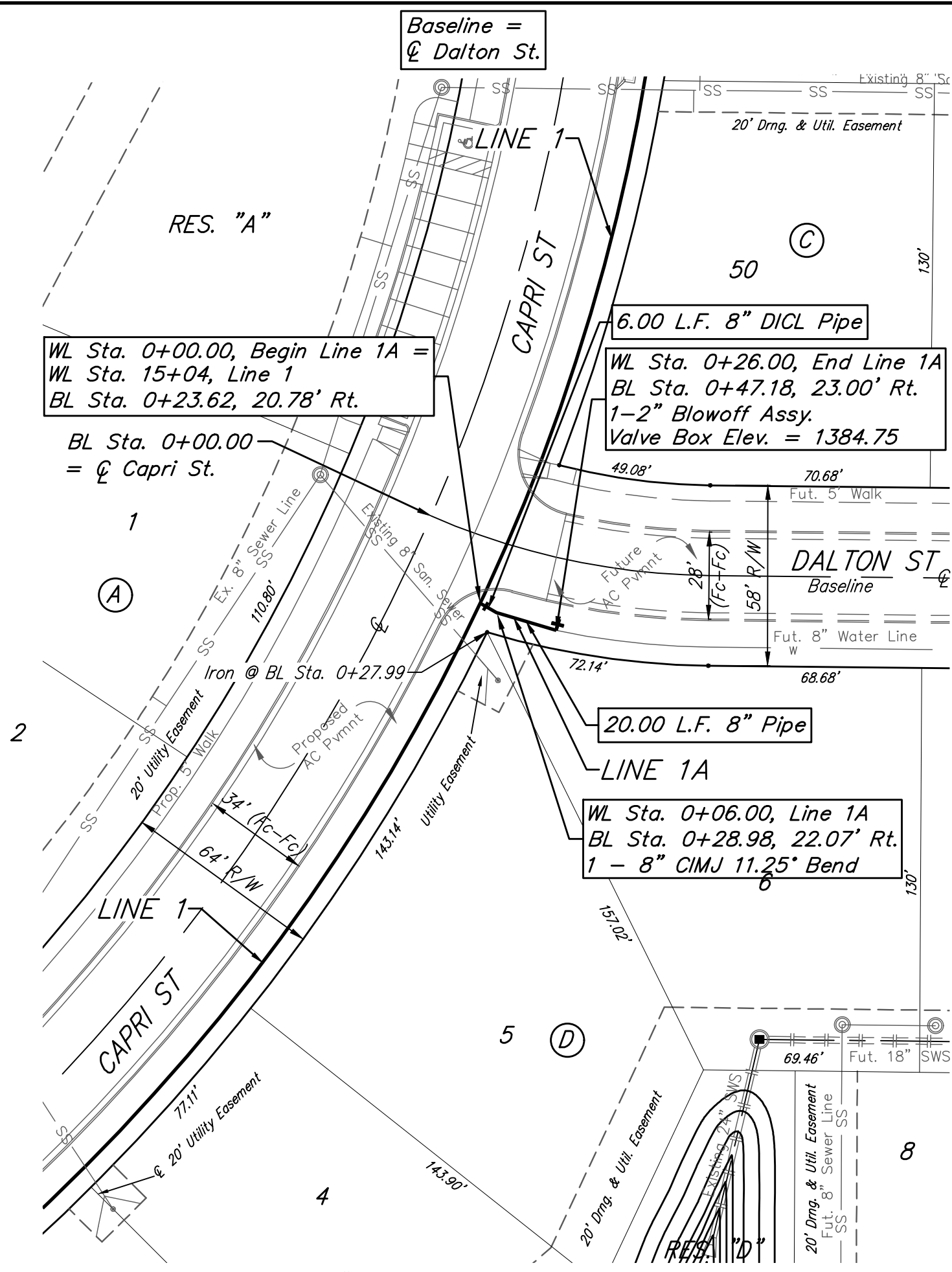


BENCHMARKS:
 #1: "□" CUT CHISELED ON CURB,
 15.2' S. OF SW COR., LOT 6,
 BLOCK A, ROCKY FORD 2ND
 ADDITION.
 ELEV. = 1385.10 NAVD88
 #2: "□" CUT CHISELED ON CURB,
 8.6' N. & 11.7' W. OF SW COR.,
 LOT 14, BLOCK C, ROCKY FORD
 2ND ADDITION.
 ELEV. = 1380.11 NAVD88

Curve #5
 Curve Data Based on Centerline of Pipe
 Rad. = 175' Delta = 36°09'25" Tangent = 57.13'
 Arc = 110.43' L.C. = 108.61' Def./Pt. = 9.82259 Min.

Station	Arc	Chord 8' Left	Defl.	Total Defl.
0+00.00	-	-	0°00'00"	0°00'00"
0+25.00	25.00'	21.84'	4°05'34"	4°05'34"
0+50.00	25.00'	21.84'	4°05'34"	8°11'08"
0+75.00	25.00'	21.84'	4°05'34"	12°16'42"
1+00.00	25.00'	21.84'	4°05'34"	16°22'16"
1+10.43	10.43'	9.12'	1°42'26"	18°04'42"



R.F. ADDITION

Baughman R.F. Addition - Phase I
LINE 1A, 1B, & 2
 Water Distribution System

Baughman Company, P.A. 315 Ellis St. Wichita, KS 67211 P 316-262-7271 F 316-262-0149
 ENGINEERING | SURVEYING | PLANNING | LANDSCAPE ARCHITECTURE

PROJECT NUMBER: 448-2019-005513 DESIGN: AEG DRAWN: HWJ
 APPROVED: DATE: 4/27/20
 REVISIONS: SCALE: Noted SHEET: 7 OF 16

C:\Projects\R.F.Addition_1802-P357\Engineering\Phase 1\WTR\WTR PLANS.dwg

