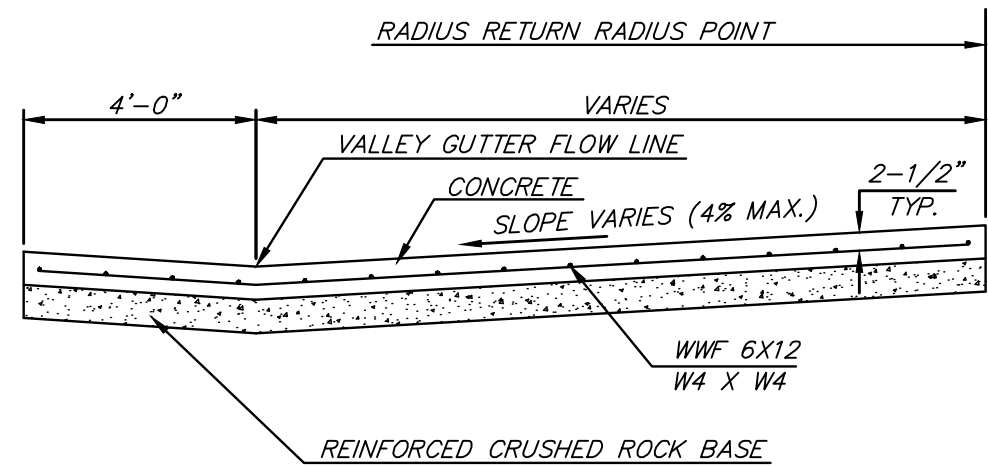
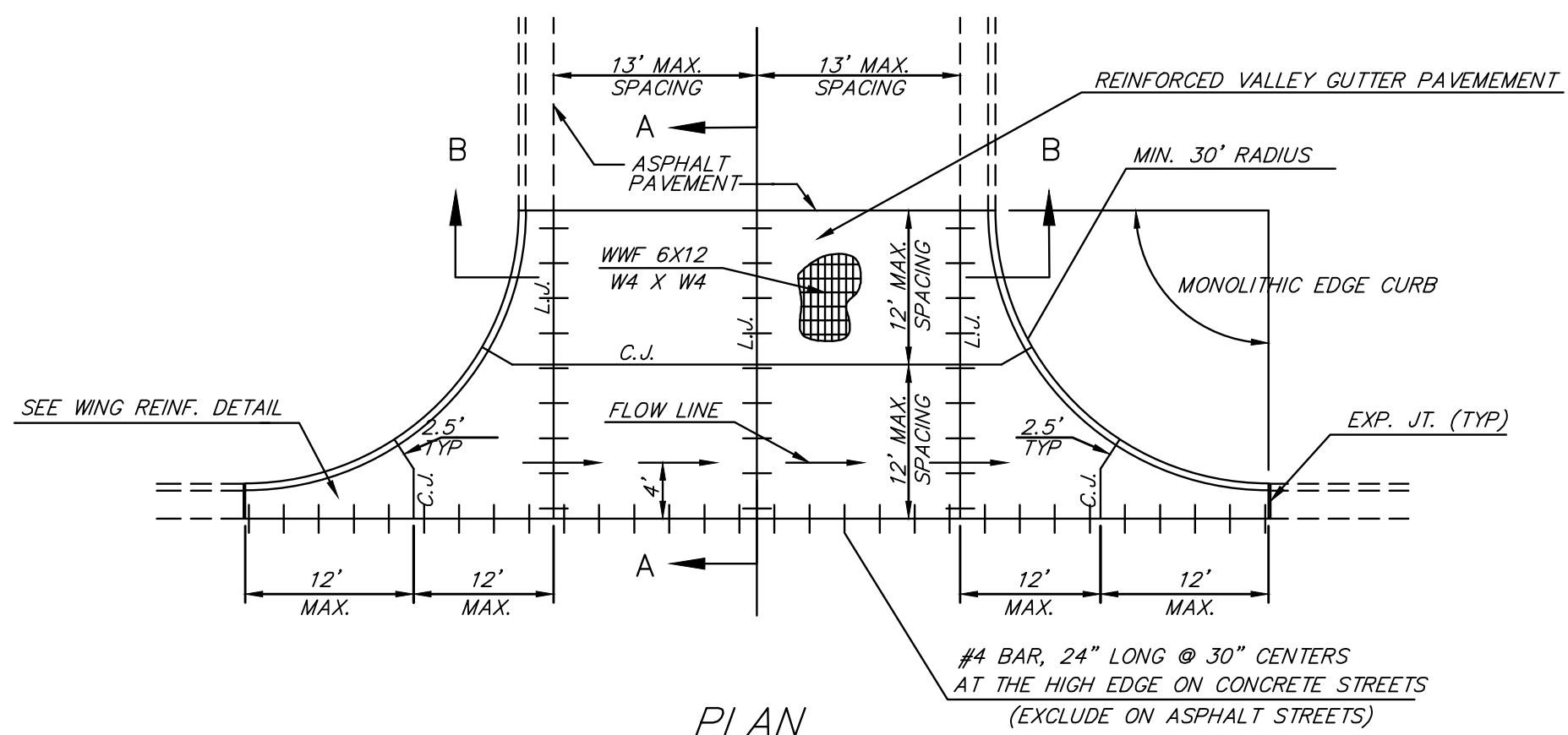


EXPANSION JOINT

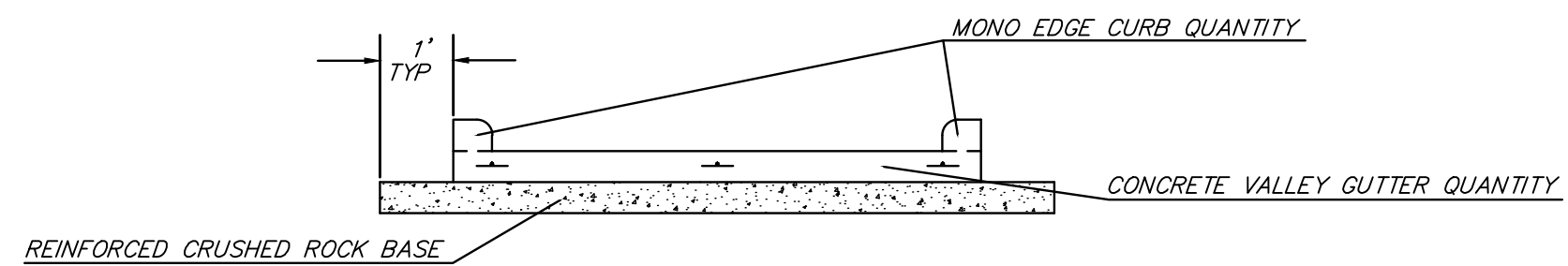
NOTE: Extra Thickness to be Subsidiary to Price of Square Yards Pavement



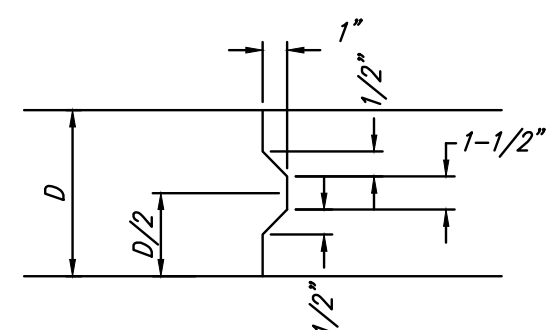
SECTION A-A



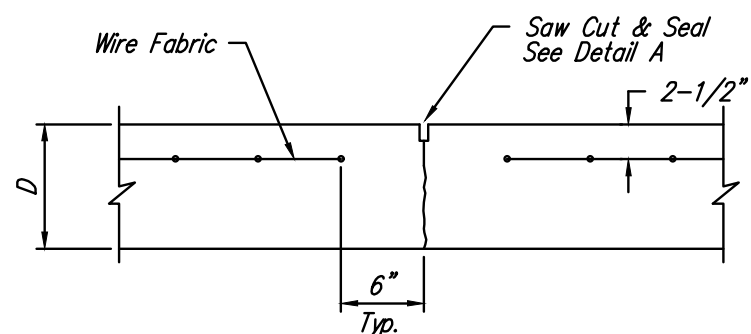
PLAN



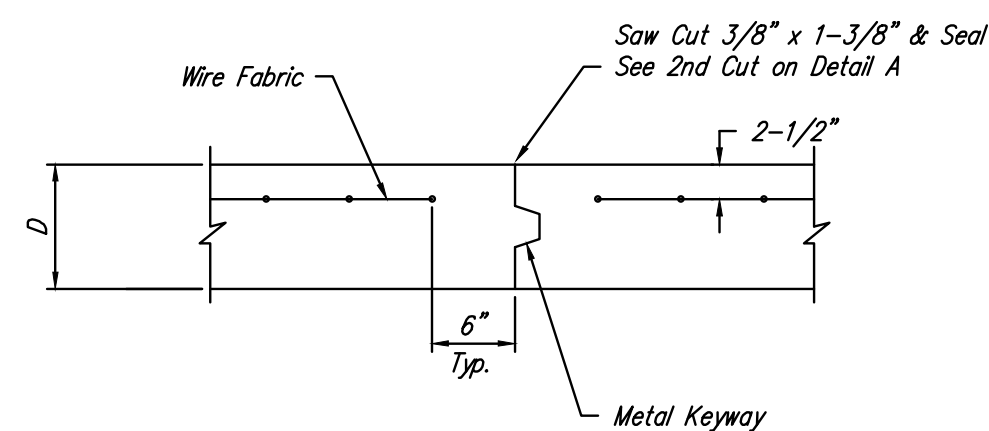
SECTION B-B



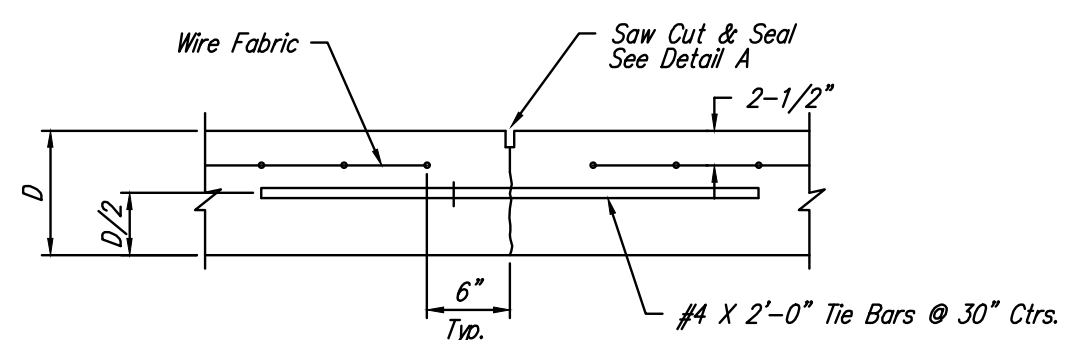
KEYWAY DETAIL



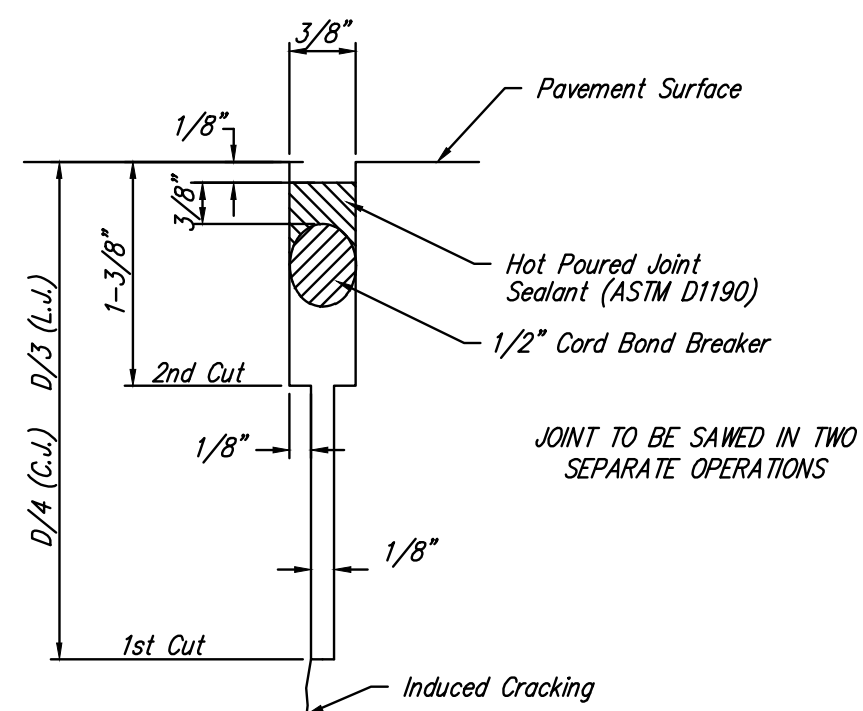
CONTRACTION JOINT DETAIL (C.J.)



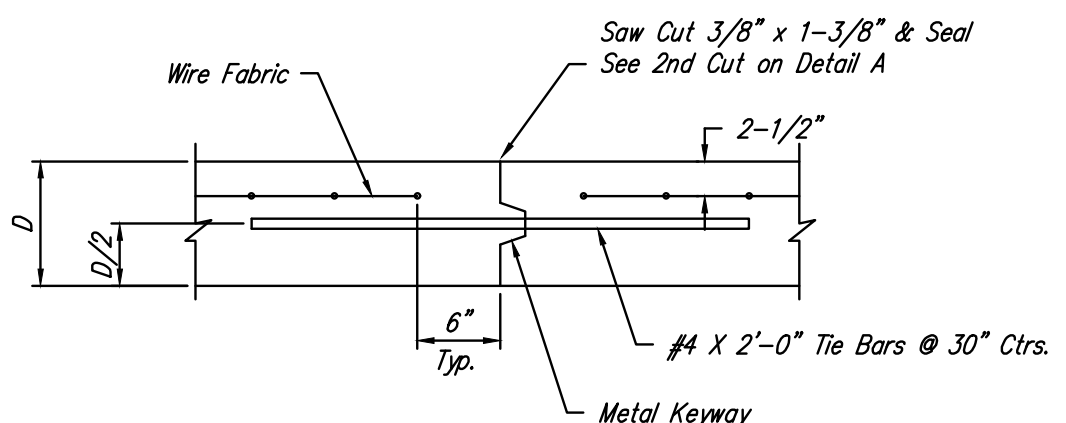
OPTIONAL CONTRACTION JOINT



LONGITUDINAL JOINT DETAIL (L.J.)

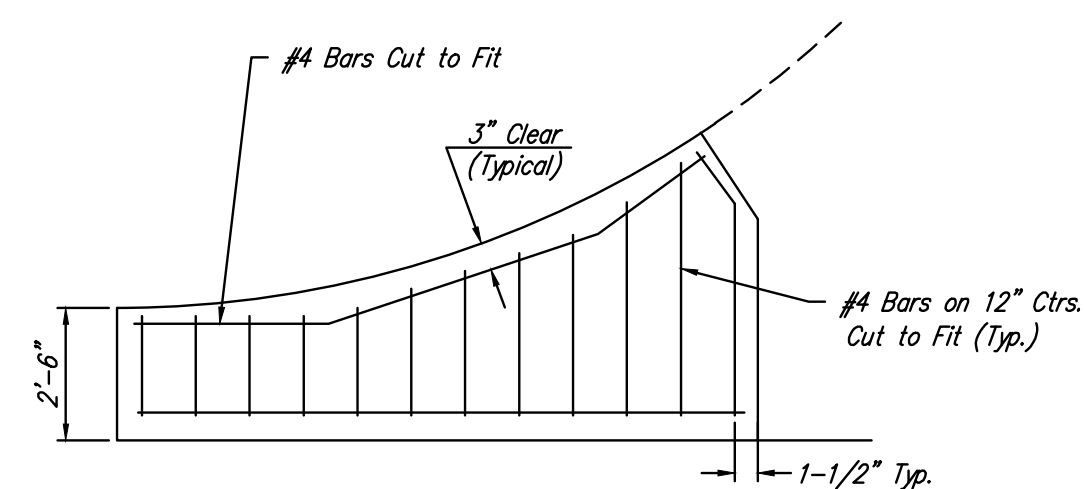


SAW JOINT DETAIL (DETAIL A)



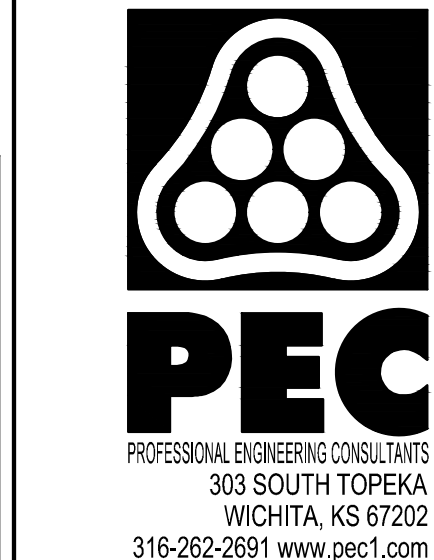
OPTIONAL LONGITUDINAL JOINT DETAIL (L.J.)

REINFORCED VALLEY GUTTER DETAIL



WING REINFORCING DETAIL

REVISION MAY 2017	SECTION B-B, ROCK EXTENDED ONE FOOT BEYOND PAVEMENT
VALLEY GUTTER DETAILS	
CITY ENGINEER GARY JANZEN, P.E.	
PROJECT NUMBER	OCA NUMBER
DATE	
CITY ENGINEER'S OFFICE CITY HALL - SEVENTH FLOOR 455 NORTH MAIN STREET WICHITA, KANSAS 67202-1620 (316) 268-4501	
SHEET	



SANITARY SEWER RELOCATION
TO SERVE
WASTE WATER TREATMENT PLANT 3

GARY JANZEN, P.E. - CITY ENGINEER
CITY OF WICHITA PROJECT NO. 2020-468-004792
OCA NO. S002 ORG CODE 53200020

Issue:	

JOB NO.	35-197043-015-042
DATE	APRIL 2020
PM	RWG
DESIGNED BY	TBK
DRAWN BY	CSL
CHECKED BY	RWG

VALLEY GUTTER DETAILS

CU203

SAVED 4/23/2020 10:34:36 AM BY CSL
PLOTTED 5/6/2020 11:24:01 AM BY KURTIS DEKAT
U:\WICHITA-CIVIL\2019\197043\15\MINI\DRAWINGS\197043-015-CU203.DWG

PV-109