

PLOTTED: Friday, May 01, 2020 @ 09:38AM

J:\PROJECTS\2019\191010423\_VPP\_BRADLEY FAIR 3RD LOT SPLT\_191423 CAD\SHS\06 CIVIL\SAN1\191423-05-2201.DWG

EXISTING SS MH  
MH TOP=1382.50  
FL IN=1360.75(21"N)  
FL OUT=1360.65(21"S)

CAUTION!! EXISTING WTR,  
TV, & LIGHT POLE

21ST STREET NORTH

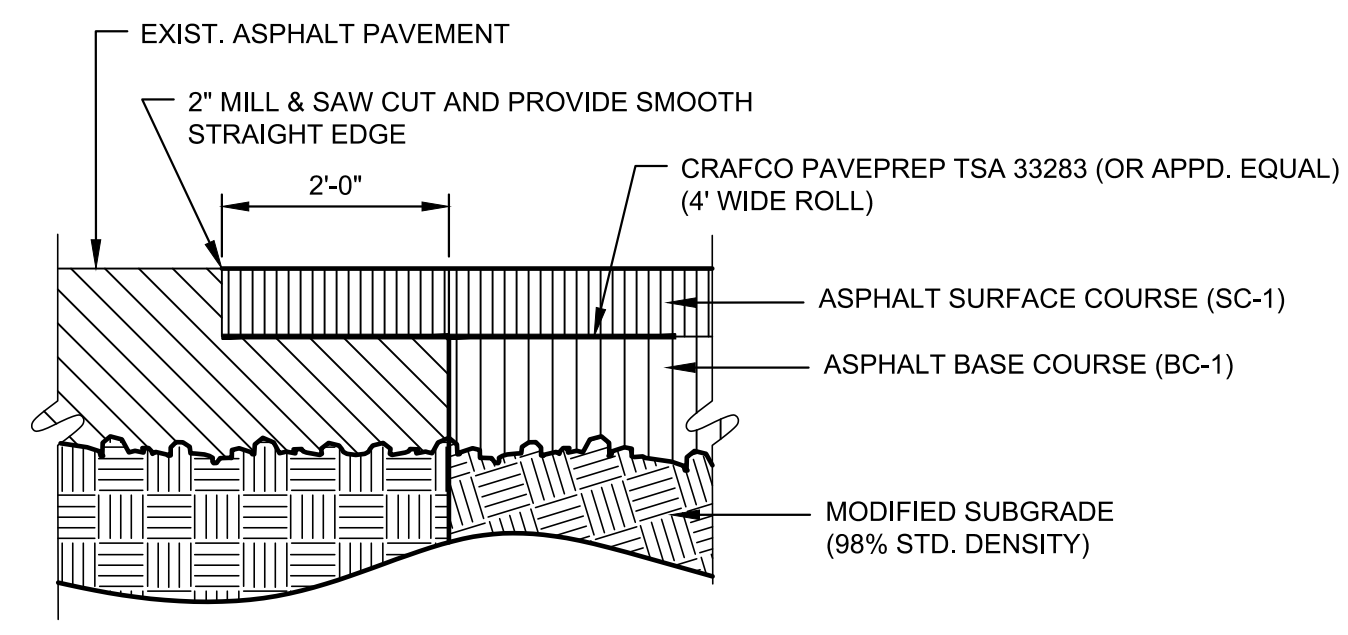
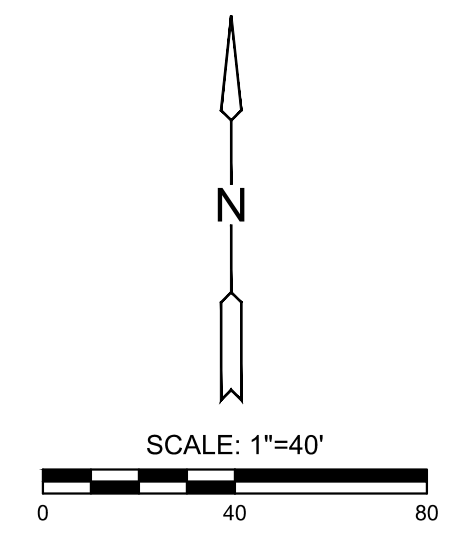
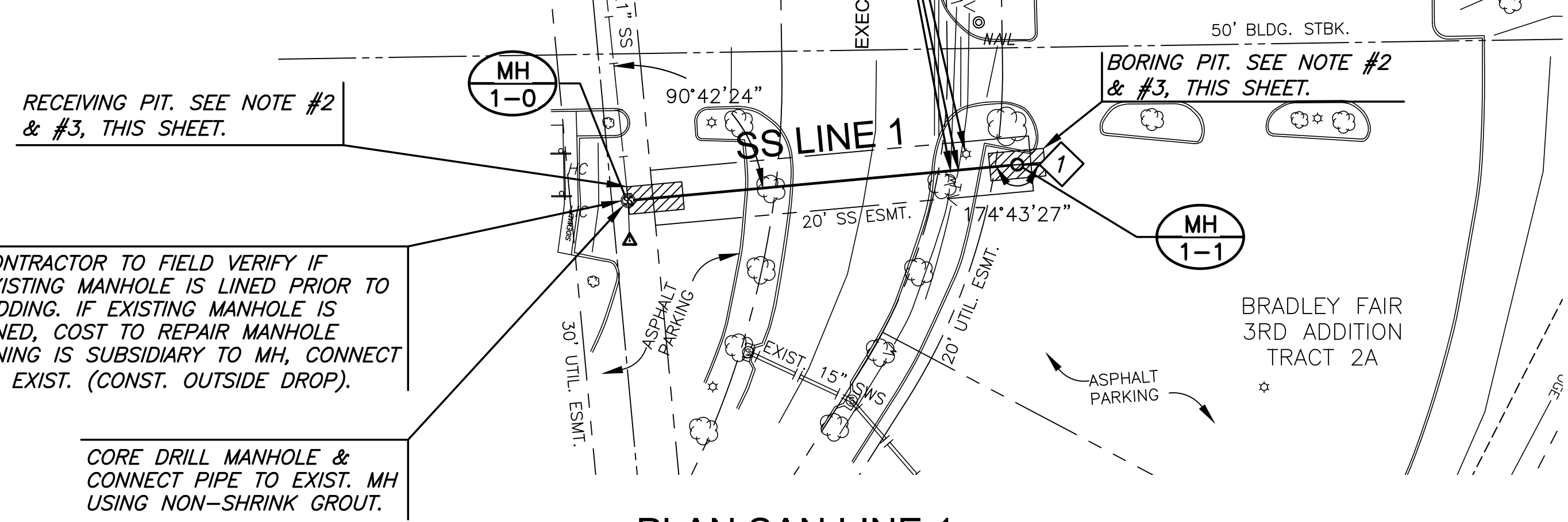
NO.	TYPE	LOCATION			STATION	DIRECTION	FOR INFORMATION ONLY	
		LOT NO.	BLOCK NO.	LINE NO.			APPROXIMATE LENGTH	VERTICAL (FT)
1	6" MH CONNECTION	2	1	1	11+41.7	E	7'	5'

- NOTES:**
- CONTRACTOR TO VERIFY THE DEPTH AND LOCATION OF EXISTING UTILITIES PRIOR TO CONSTRUCTION.
  - PAVEMENT SHALL BE SAW CUT AND REMOVED AS NEEDED AT BORE PIT AND RECEIVING PIT. SUBGRADE AND ASPHALT PAVEMENT SHALL BE REPLACED IN LIKE KIND AFTER SANITARY SEWER IS INSTALLED. PROVIDE ASPHALT CONNECTION AT BOTH BORE AND RECEIVING PITS. SEE DETAIL BELOW. COST SHALL BE SUBSIDIARY TO 'BORE PIT PAVEMENT REMOVED & REPLACED' AND 'RECEIVING PIT PAVEMENT REMOVED & REPLACED', RESPECTIVELY.
  - BORE PIT & RECEIVING PIT SHALL BE BACKFILLED WITH JETTED SAND. COST SHALL BE SUBSIDIARY TO 'MH, STANDARD SS (4') AND 'MH, CONNECT TO EXIST. (CONST. OUTSIDE DROP)', RESPECTIVELY.

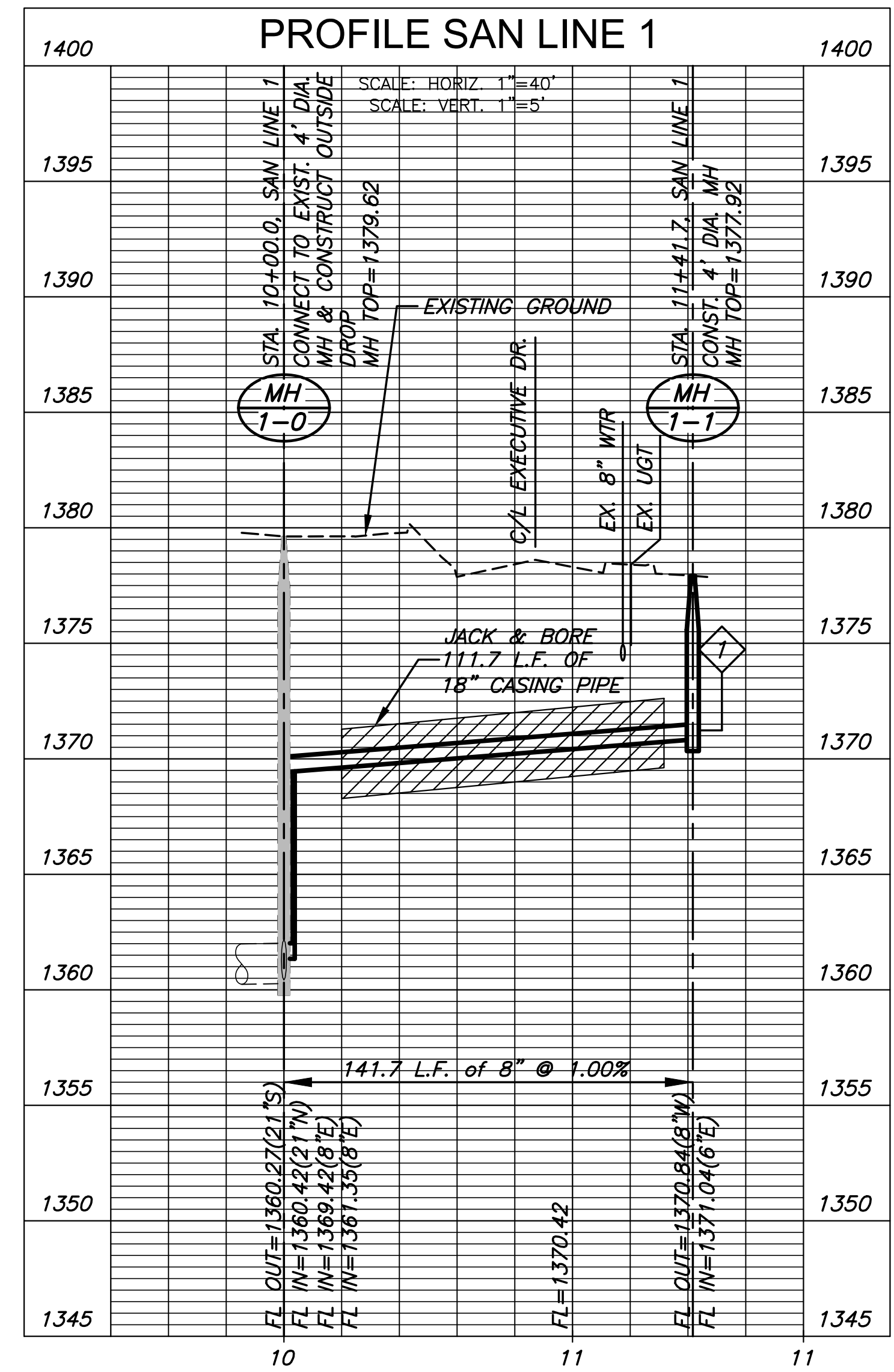
RECEIVING PIT. SEE NOTE #2 & #3, THIS SHEET.

CONTRACTOR TO FIELD VERIFY IF EXISTING MANHOLE IS LINED PRIOR TO BIDDING. IF EXISTING MANHOLE IS LINED, COST TO REPAIR MANHOLE LINING IS SUBSIDIARY TO MH, CONNECT TO EXIST. (CONST. OUTSIDE DROP).

CORE DRILL MANHOLE & CONNECT PIPE TO EXIST. MH USING NON-SHRINK GROUT.



1 TYP. SECTION: A.C. PVMT. CONNECTION  
SCALE: NTS



SANITARY SEWER PLANS FOR  
**BRADLEY FAIR THIRD ADDITION**  
WICHITA, KANSAS

©2020 MKEC Engineering All Rights Reserved  
www.mkec.com  
These drawings and their contents, including, but not limited to, all concepts, designs, & ideas are the exclusive property of MKEC Engineering (MKEC), and may not be used or reproduced in any way without the express consent of MKEC.

SAN LINE 1		
PROJECT NO.	468-2019-010208	
DATE	APRIL 2020	
SCALE	1"=40'	
DESIGNED	DRAWN	
SPE	LM	
CHECKED	SPE	
NO.	REVISION	DATE
SHEET NO.		
05 OF 12		