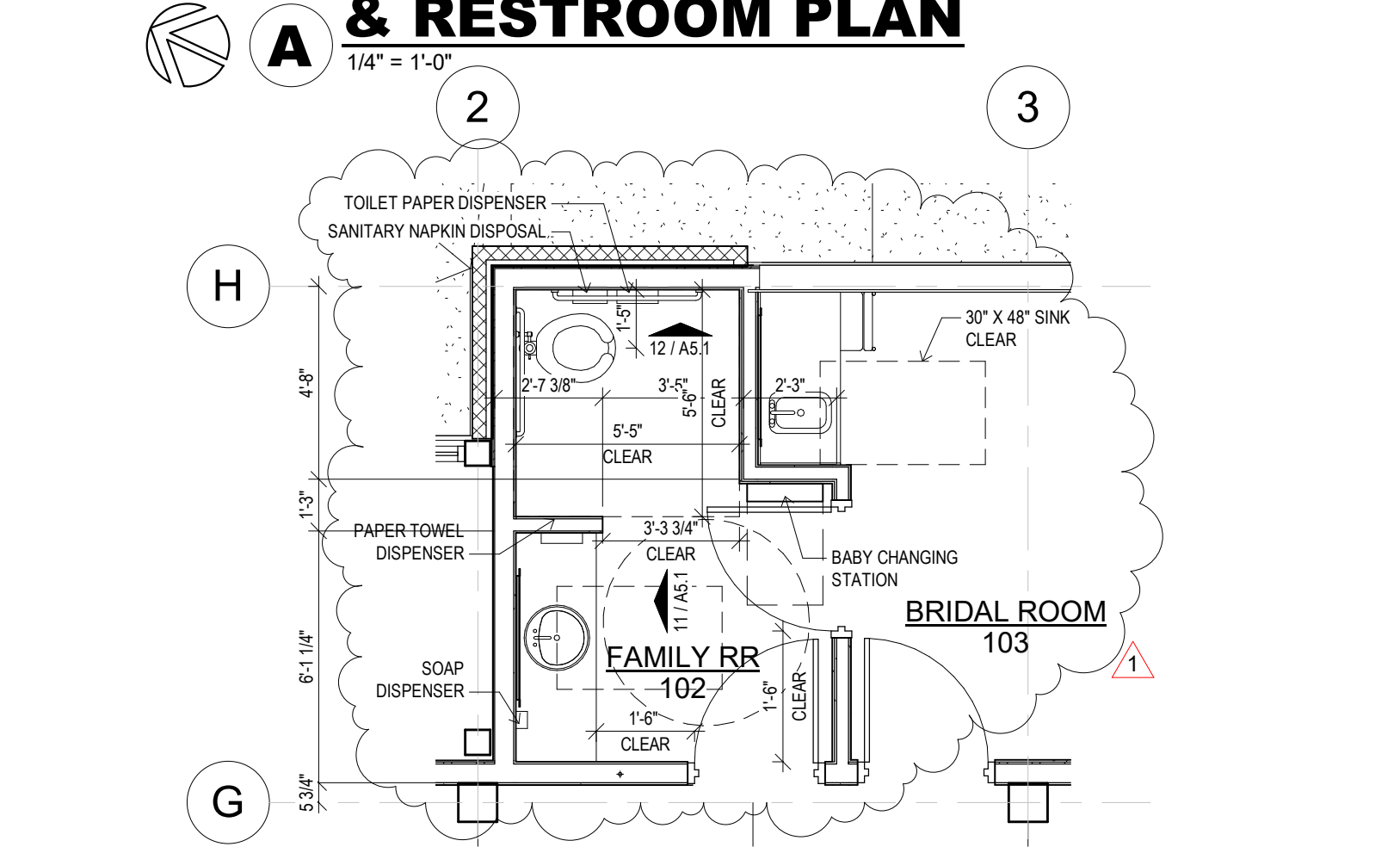
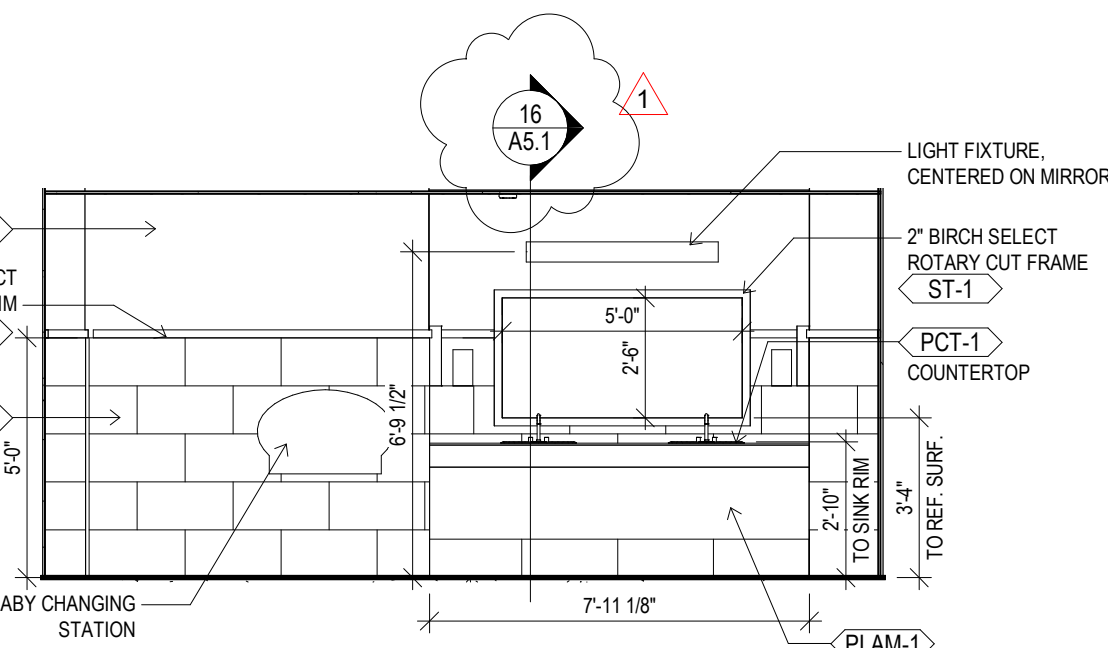


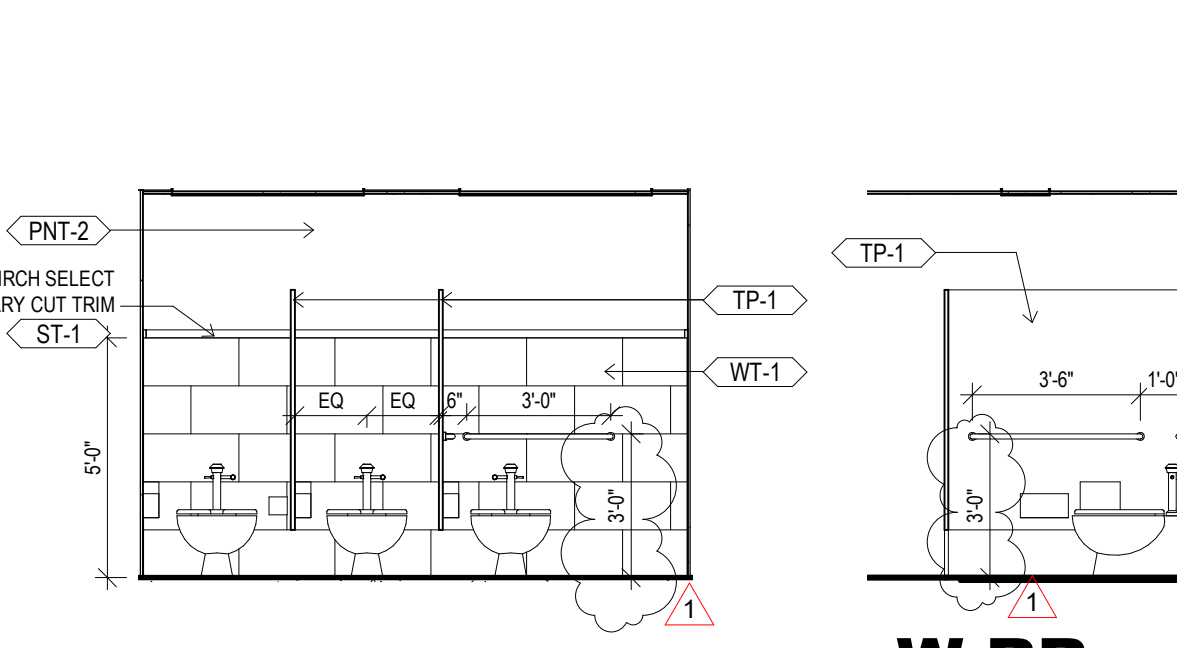
ENLARGED KITCHEN & RESTROOM PLAN
1/4" = 1'-0"



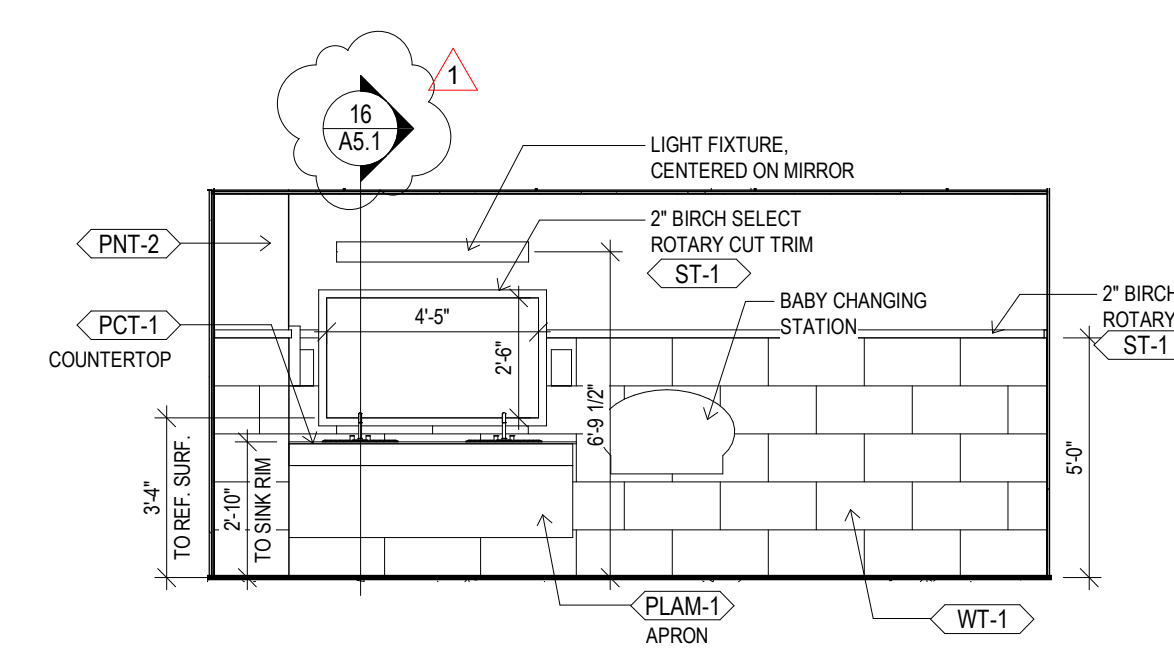
ENLARGED FAMILY RESTROOM PLAN
1/4" = 1'-0"



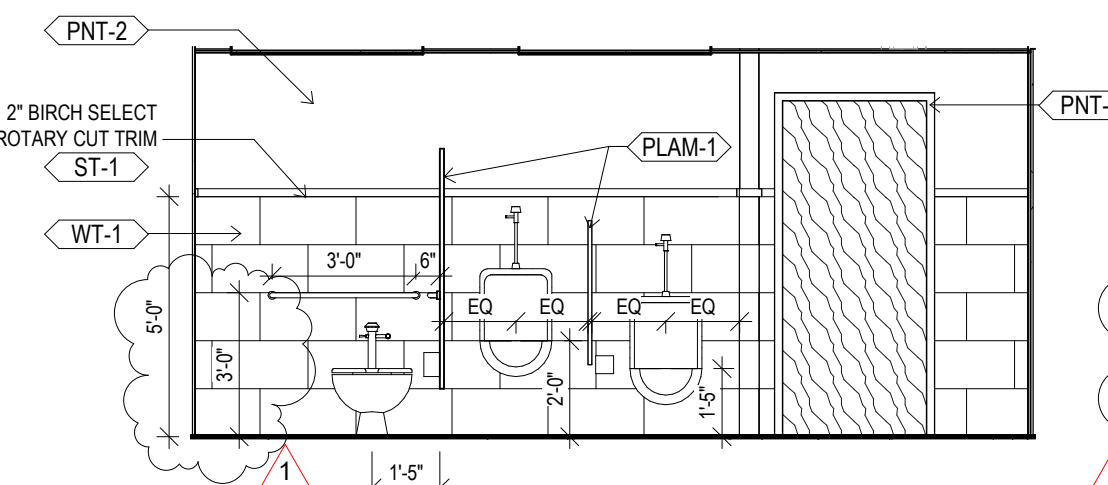
1 W RR VANITY
1/4" = 1'-0"



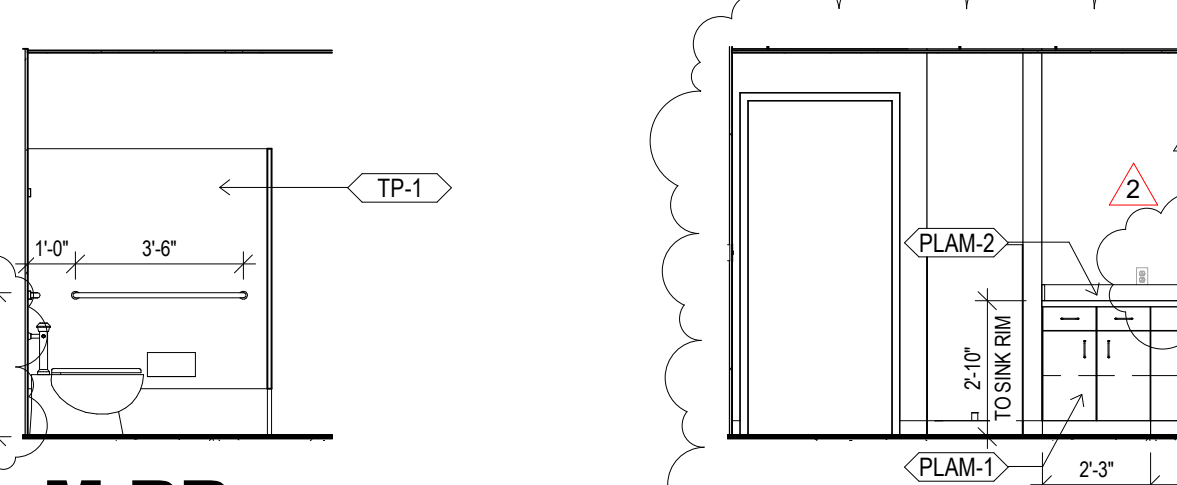
2 W RR WEST
1/4" = 1'-0"



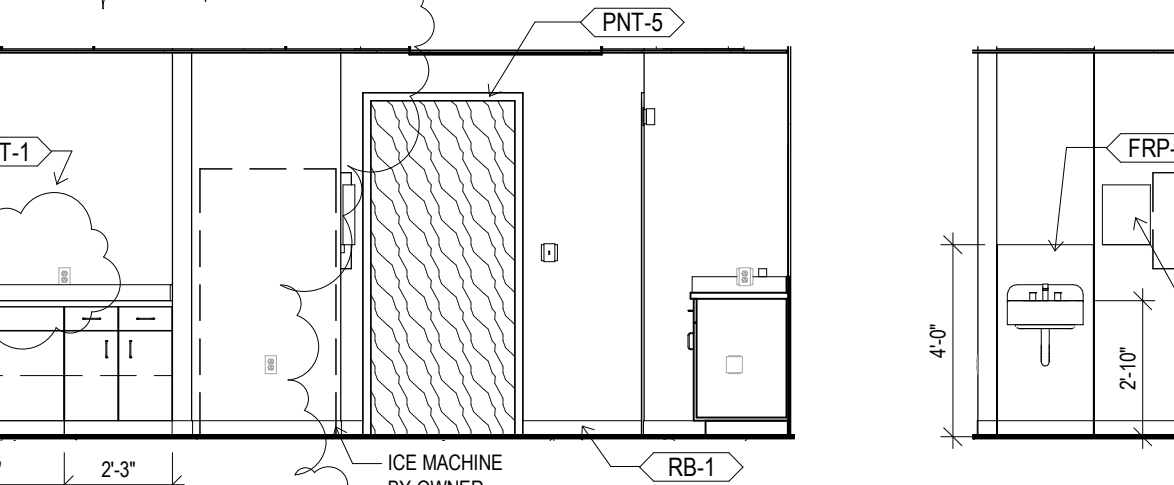
4 M RR VANITY
1/4" = 1'-0"



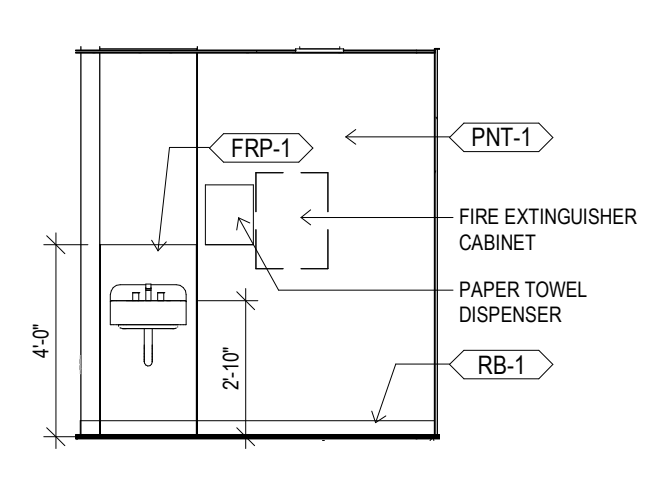
5 M RR EAST
1/4" = 1'-0"



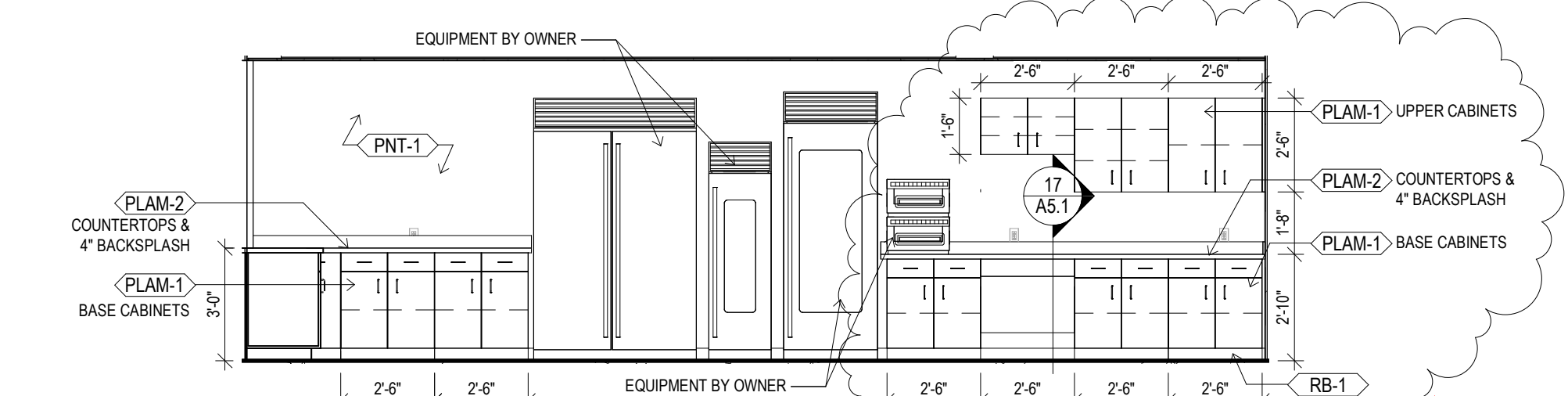
3 ADA STALL
1/4" = 1'-0"



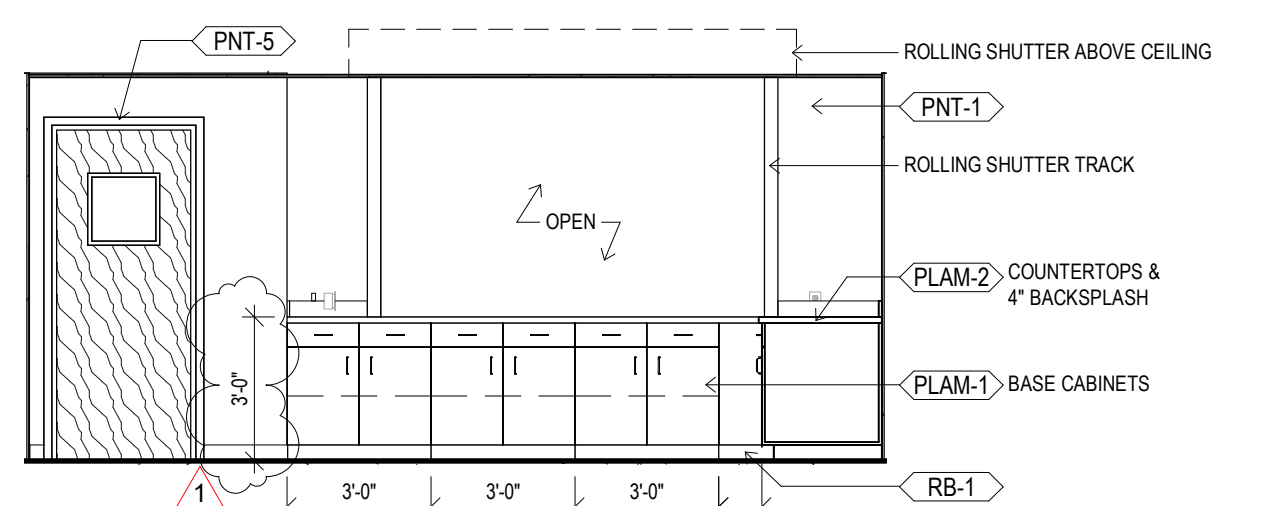
7 KITCHEN EAST
1/4" = 1'-0"



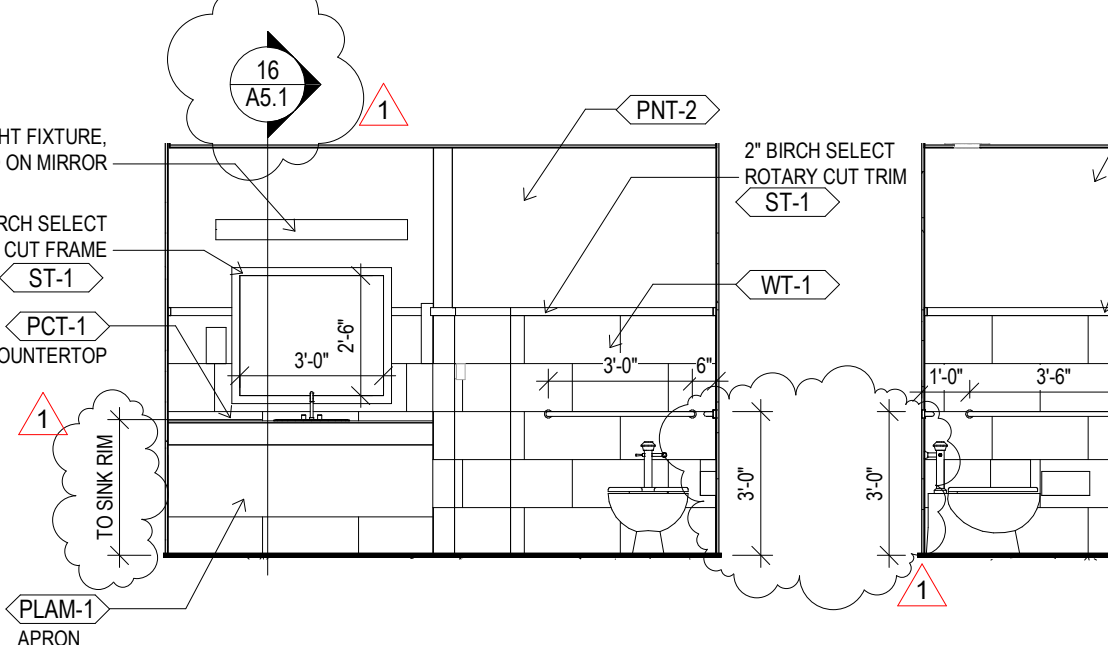
8 HAND SINK
1/4" = 1'-0"



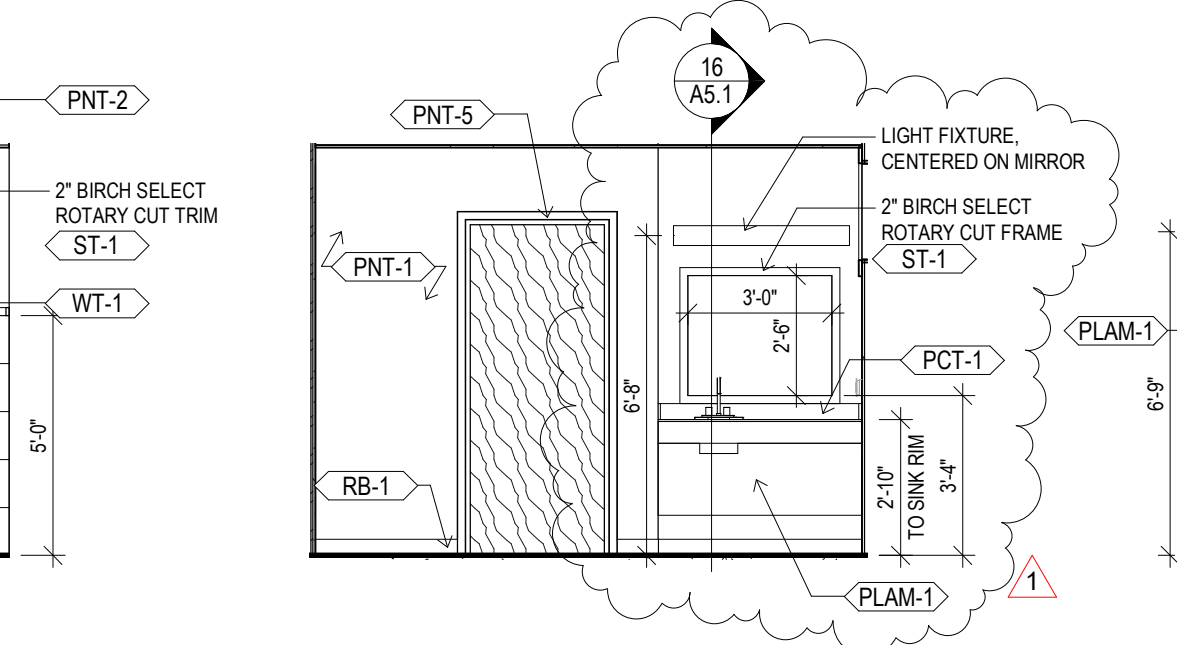
9 KITCHEN WEST
1/4" = 1'-0"



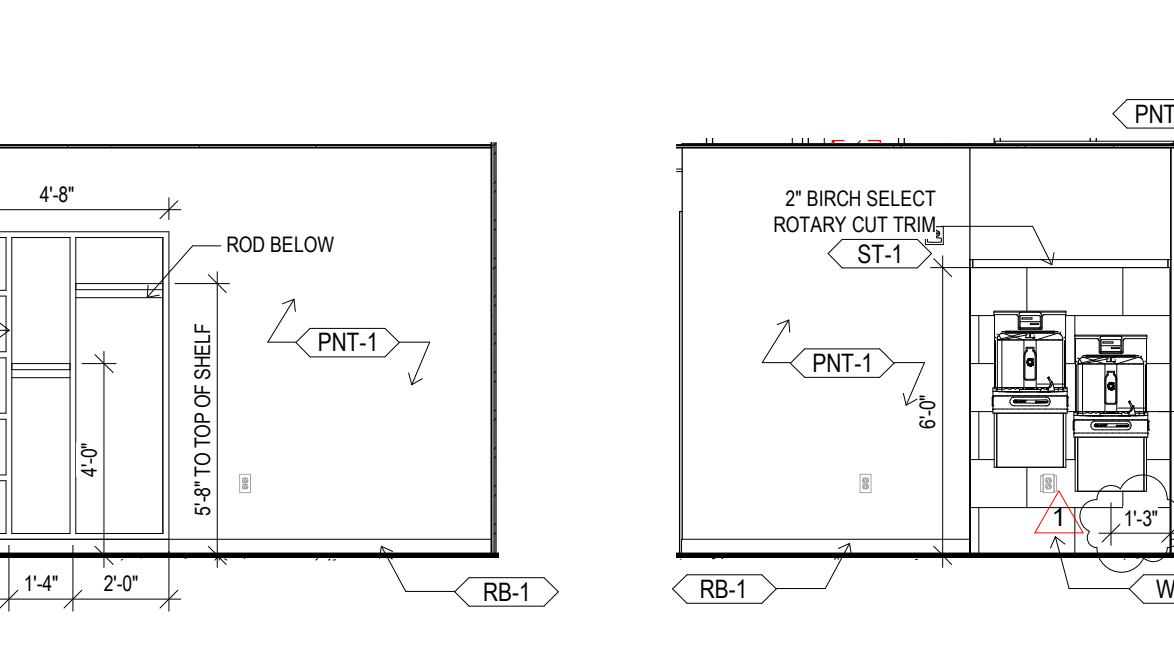
10 KITCHEN SOUTH
1/4" = 1'-0"



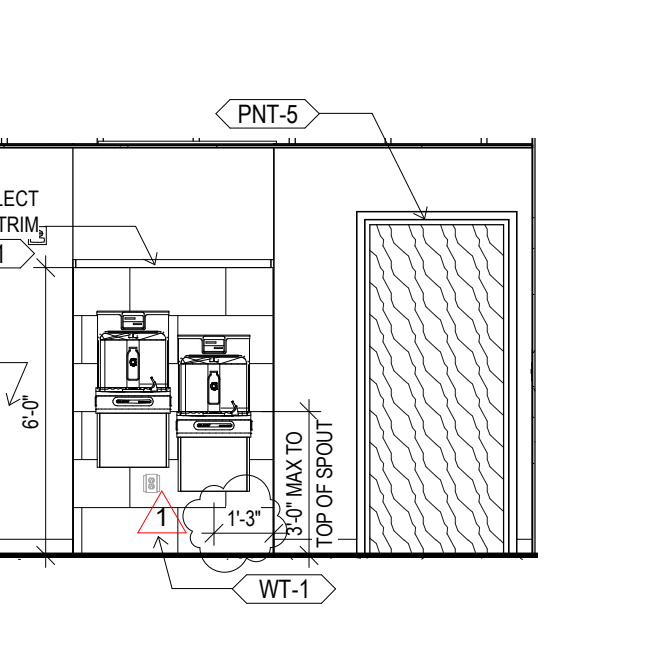
11 FAMILY RR NORTH
1/4" = 1'-0"



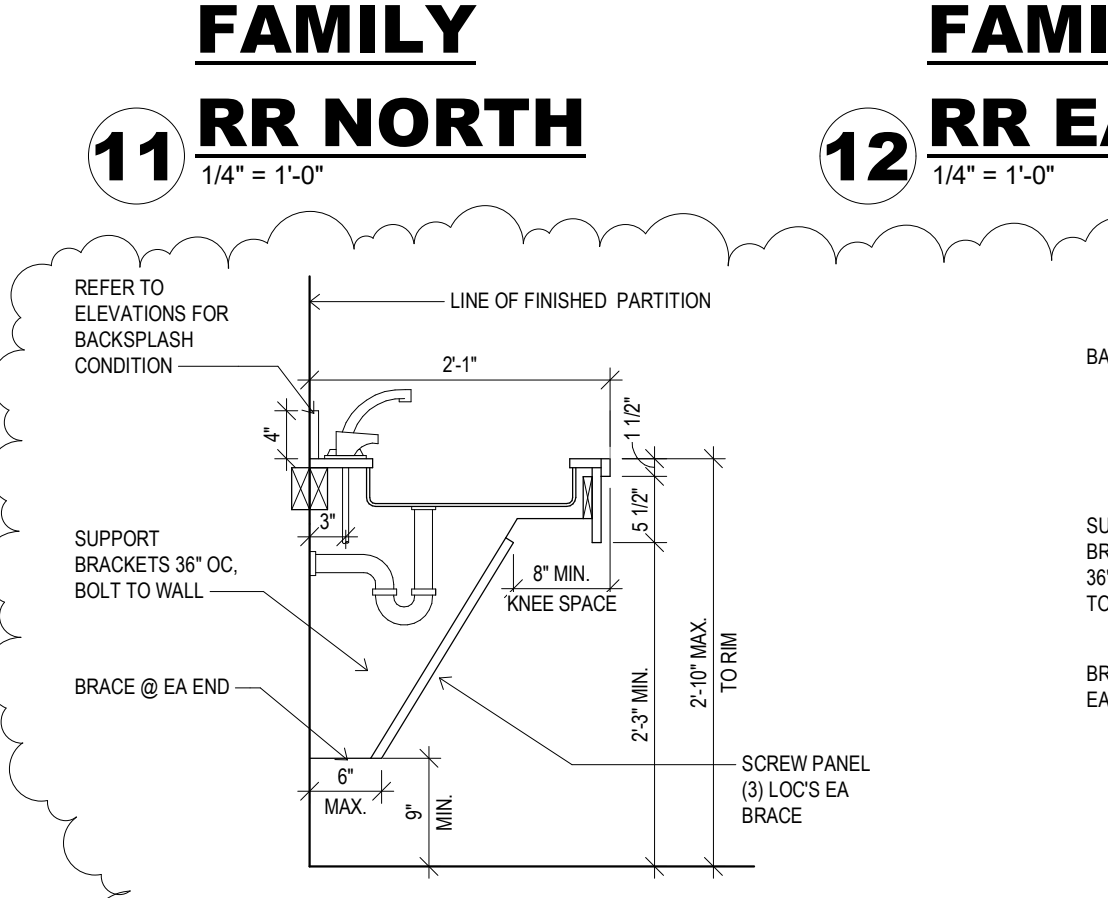
12 FAMILY RR EAST
1/4" = 1'-0"



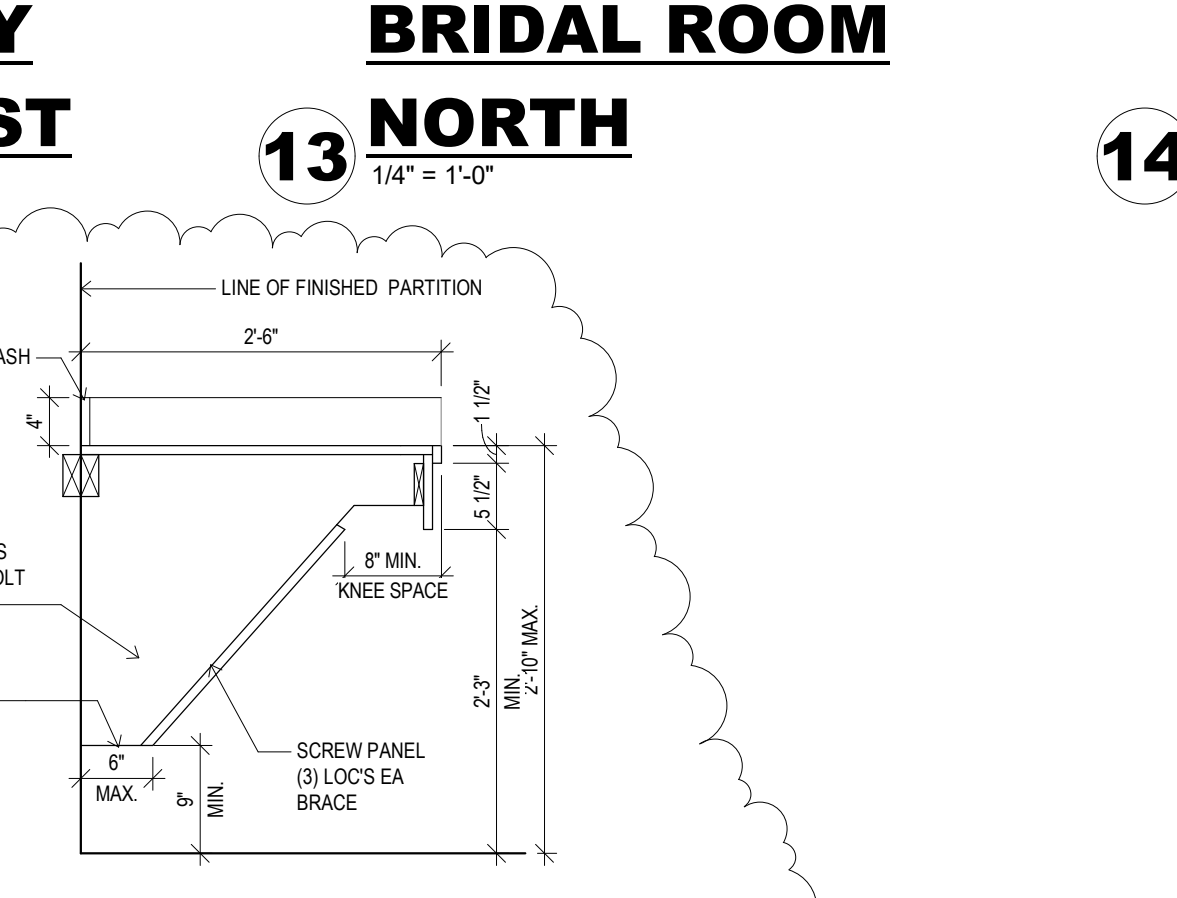
13 BRIDAL ROOM NORTH
1/4" = 1'-0"



14 BRIDAL ROOM SOUTH
1/4" = 1'-0"



16 ADA SINK BASE
3/4" = 1'-0"



17 ADA WORK COUNTER
3/4" = 1'-0"



15 DRINKING FOUNTAINS
1/4" = 1'-0"



**O.J. WATSON PARK
EVENT CENTER**
3022 S MCLEAN BLVD., WICHITA, KS 67217

CITY REVISIONS 2 06 APR 20
CITY REVISIONS 30 MAR 20
PERMIT SET 13 FEB 20
ENLARGED PLANS & ELEVATIONS

A5.1