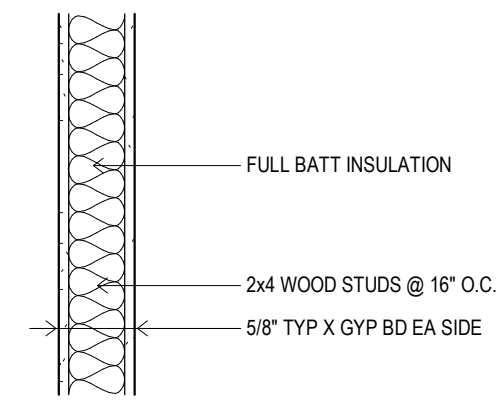


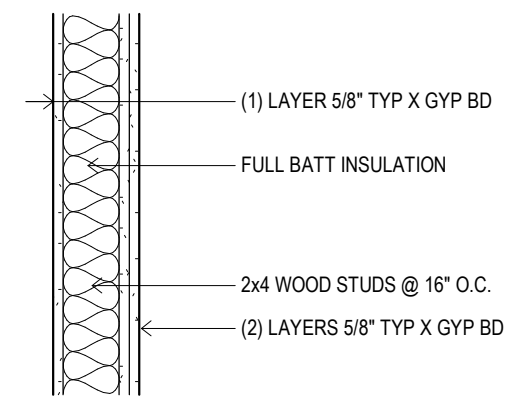
PARTITION TYPES

NOTE: ALL WOOD PLATES SITTING ON CONCRETE TO BE PRESSURE TREATED WOOD.

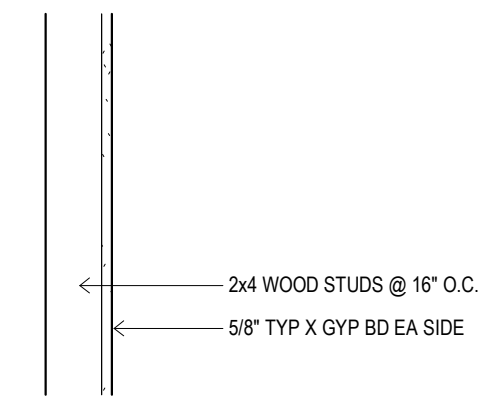


TYPE 1

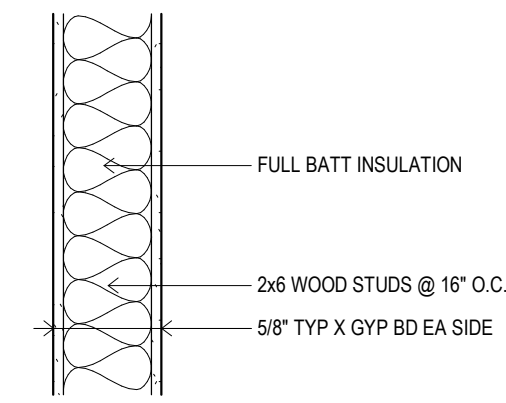
TYPE 1.5 SAME AS TYPE 1 WITHOUT BATT INSUL.



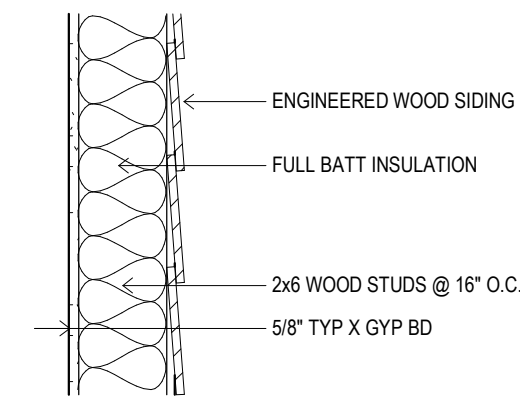
TYPE 2



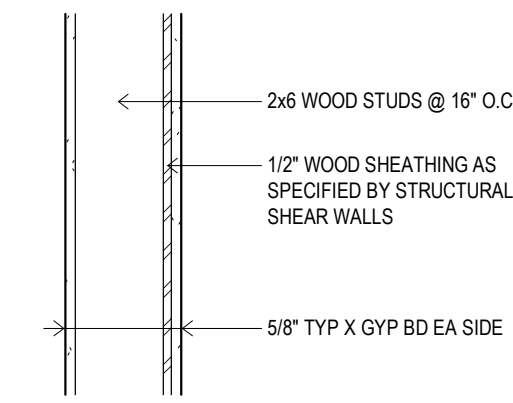
TYPE 3



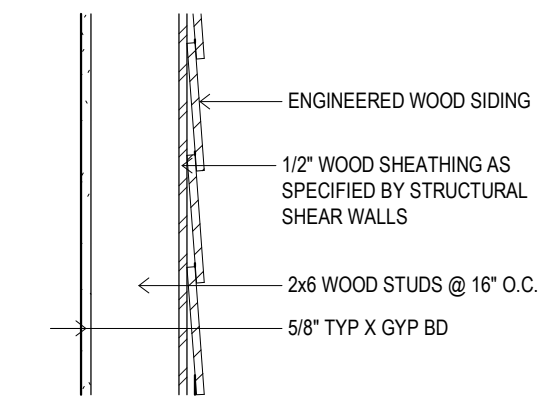
TYPE 4



TYPE 5



TYPE 6



TYPE 7



**O.J. WATSON PARK
EVENT CENTER**
3022 S MCLEAN BLVD, WICHITA, KS 67217