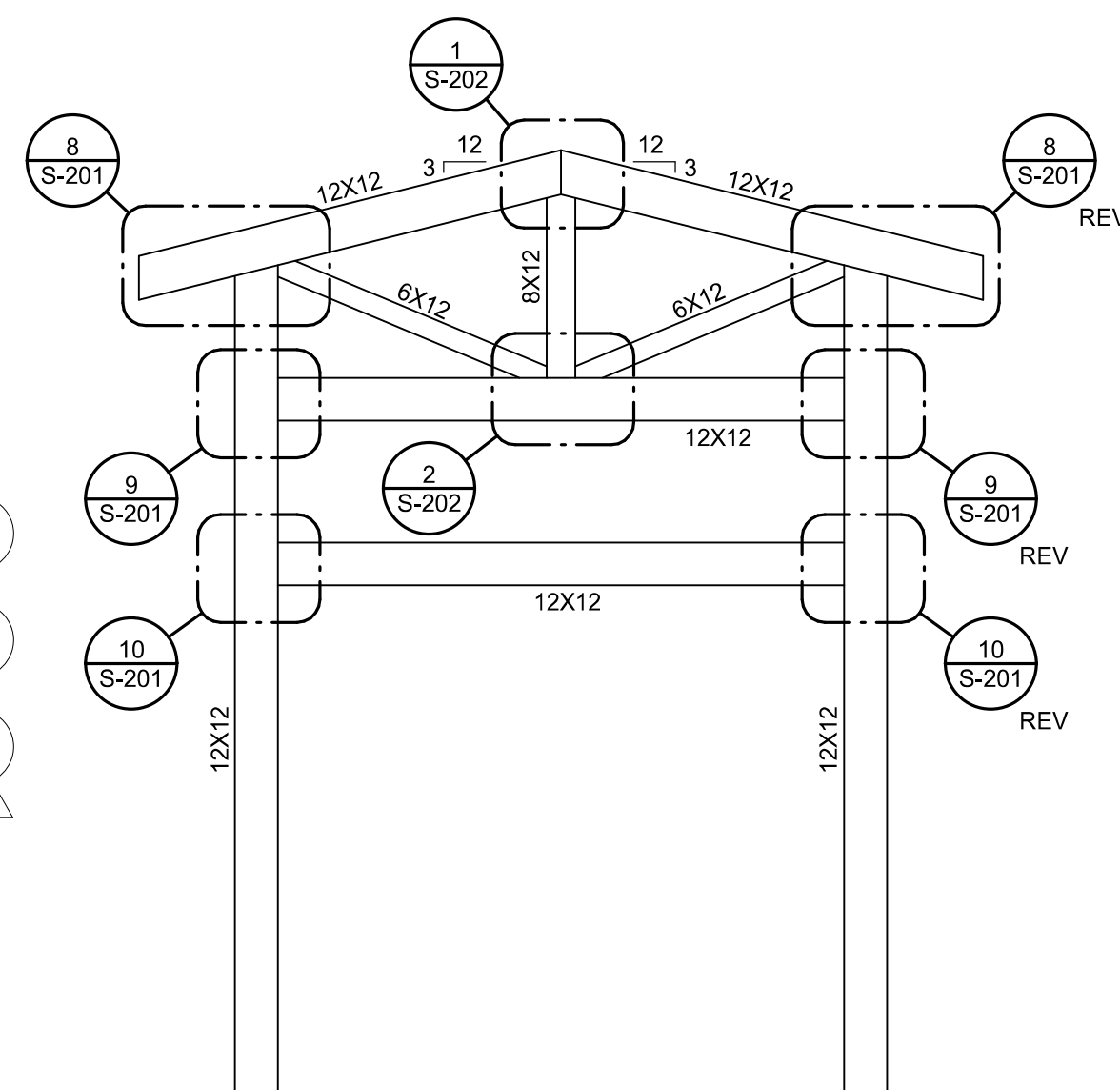
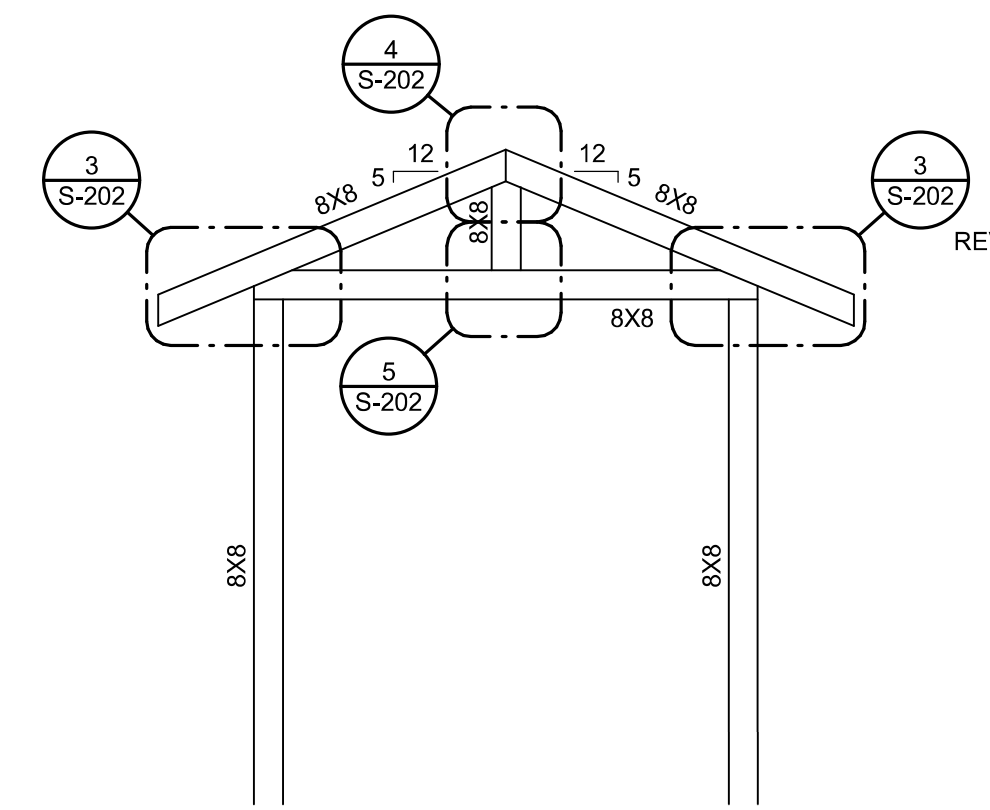


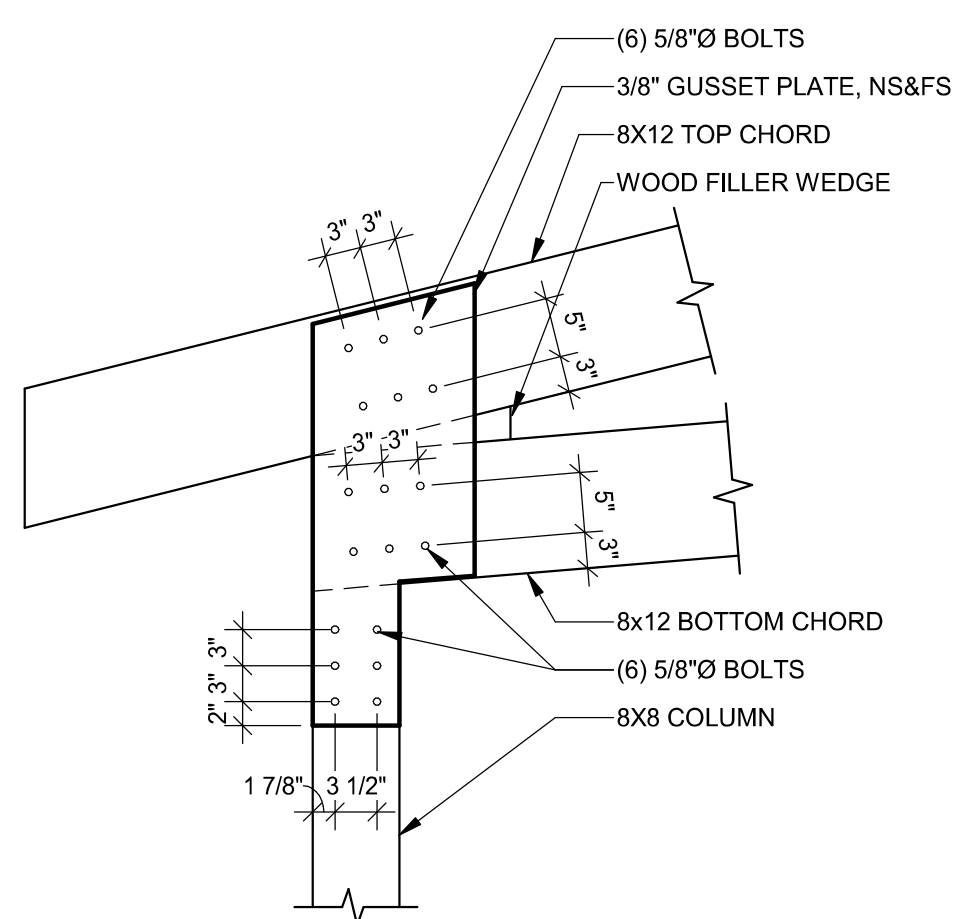
1 **TIMBER TRUSS**
1/4" = 1'-0"



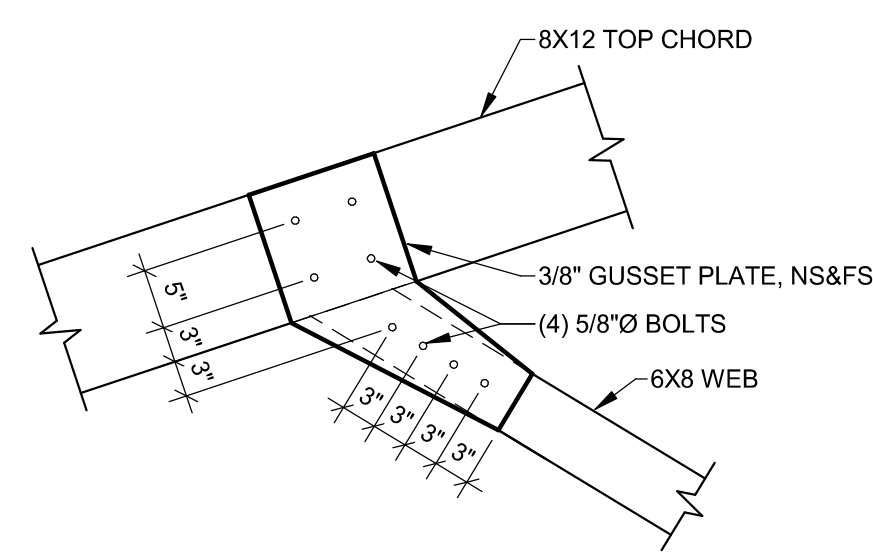
2 **TIMBER TRUSS**
1/4" = 1'-0"



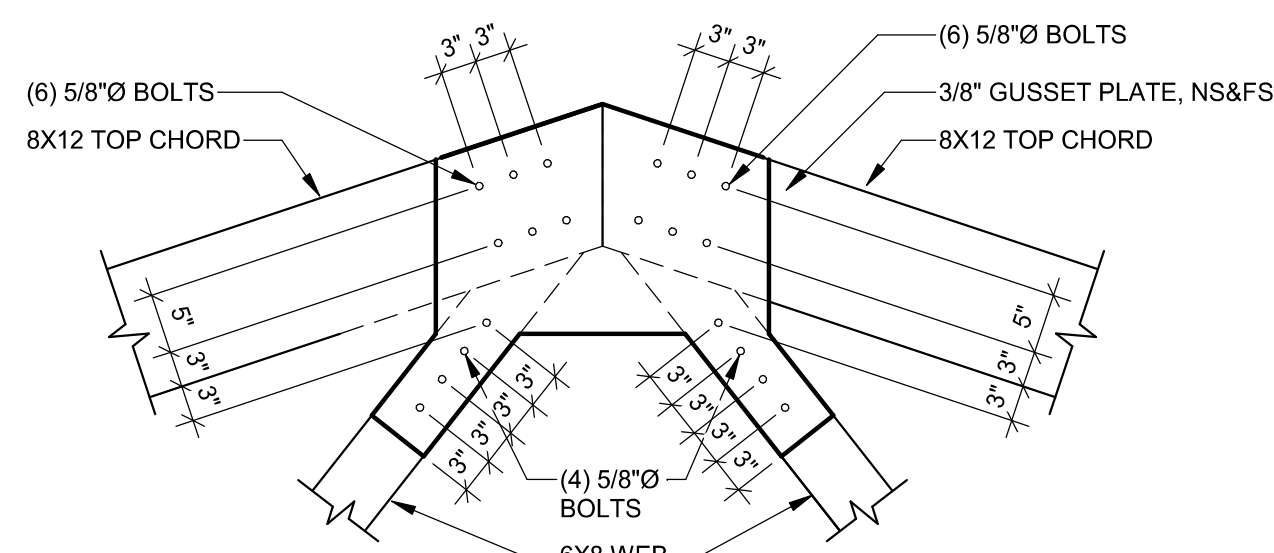
3 **ENTRY CANOPY TRUSS**
1/4" = 1'-0"



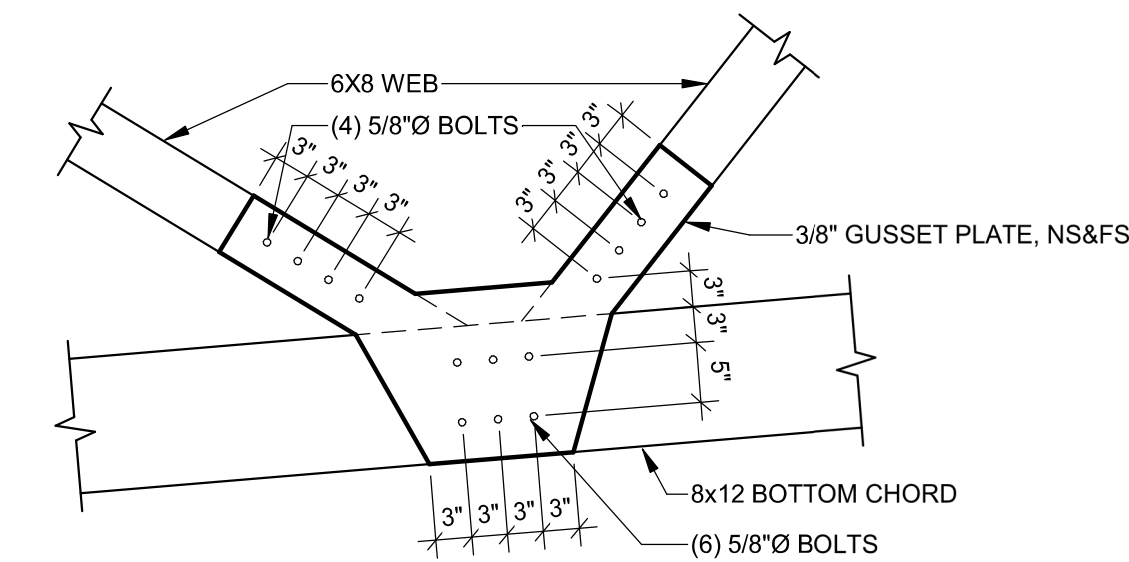
4 **DETAIL**
3/4" = 1'-0"



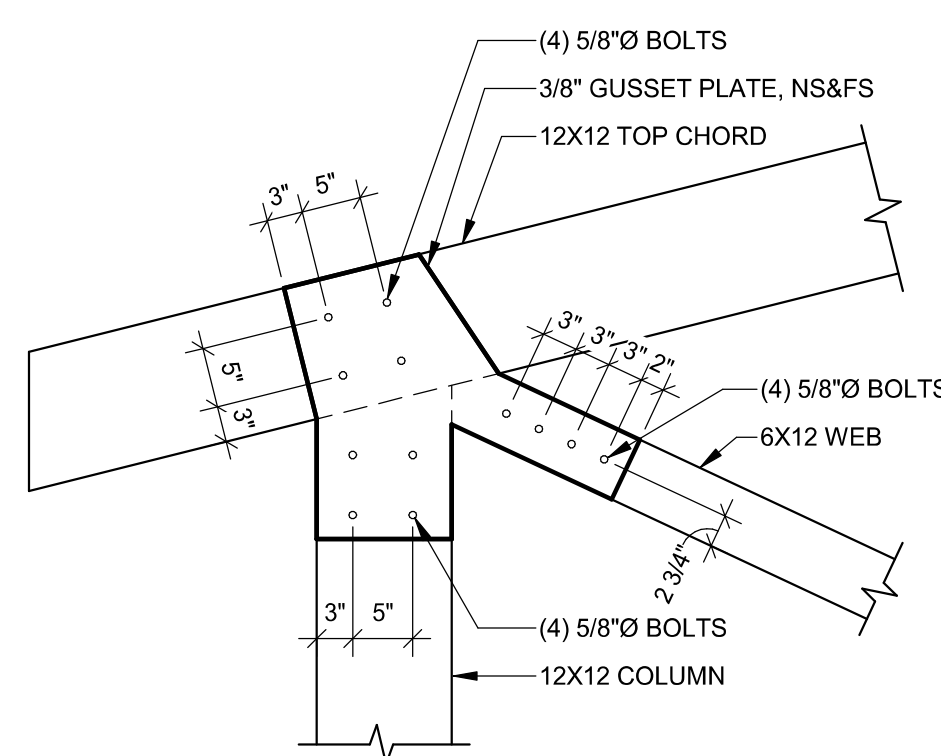
5 **DETAIL**
3/4" = 1'-0"



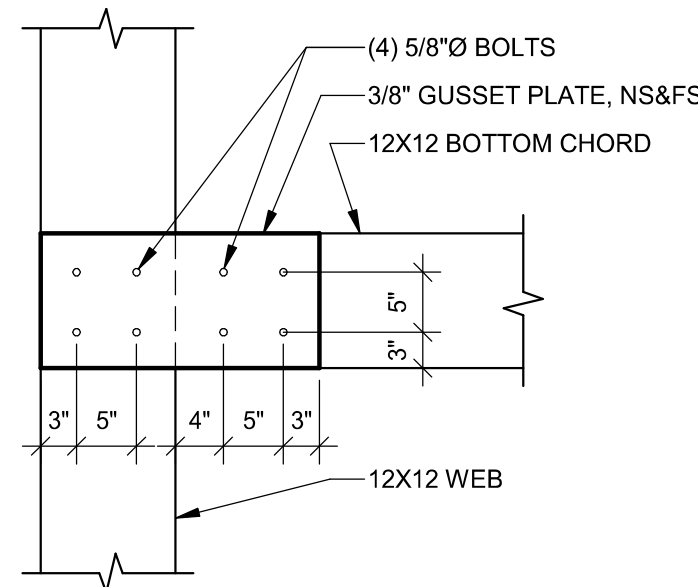
6 **DETAIL**
3/4" = 1'-0"



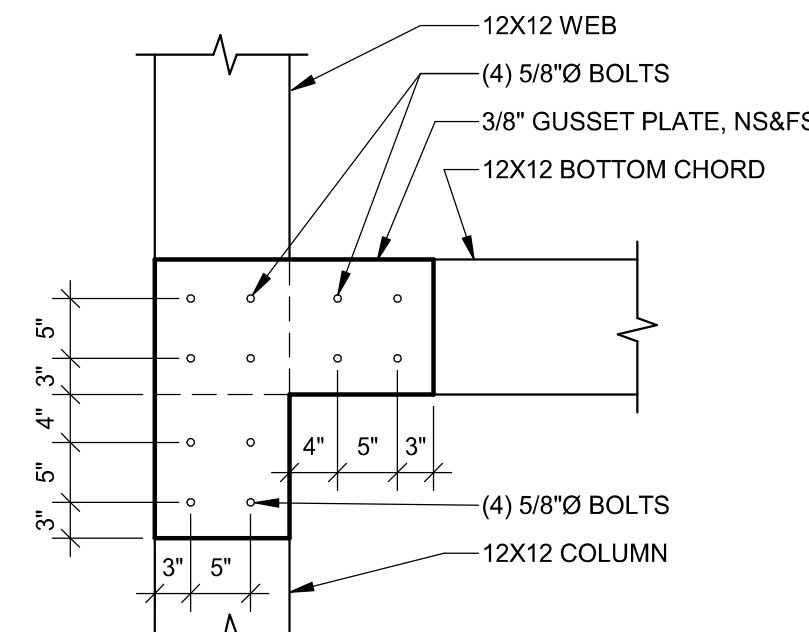
7 **DETAIL**
3/4" = 1'-0"



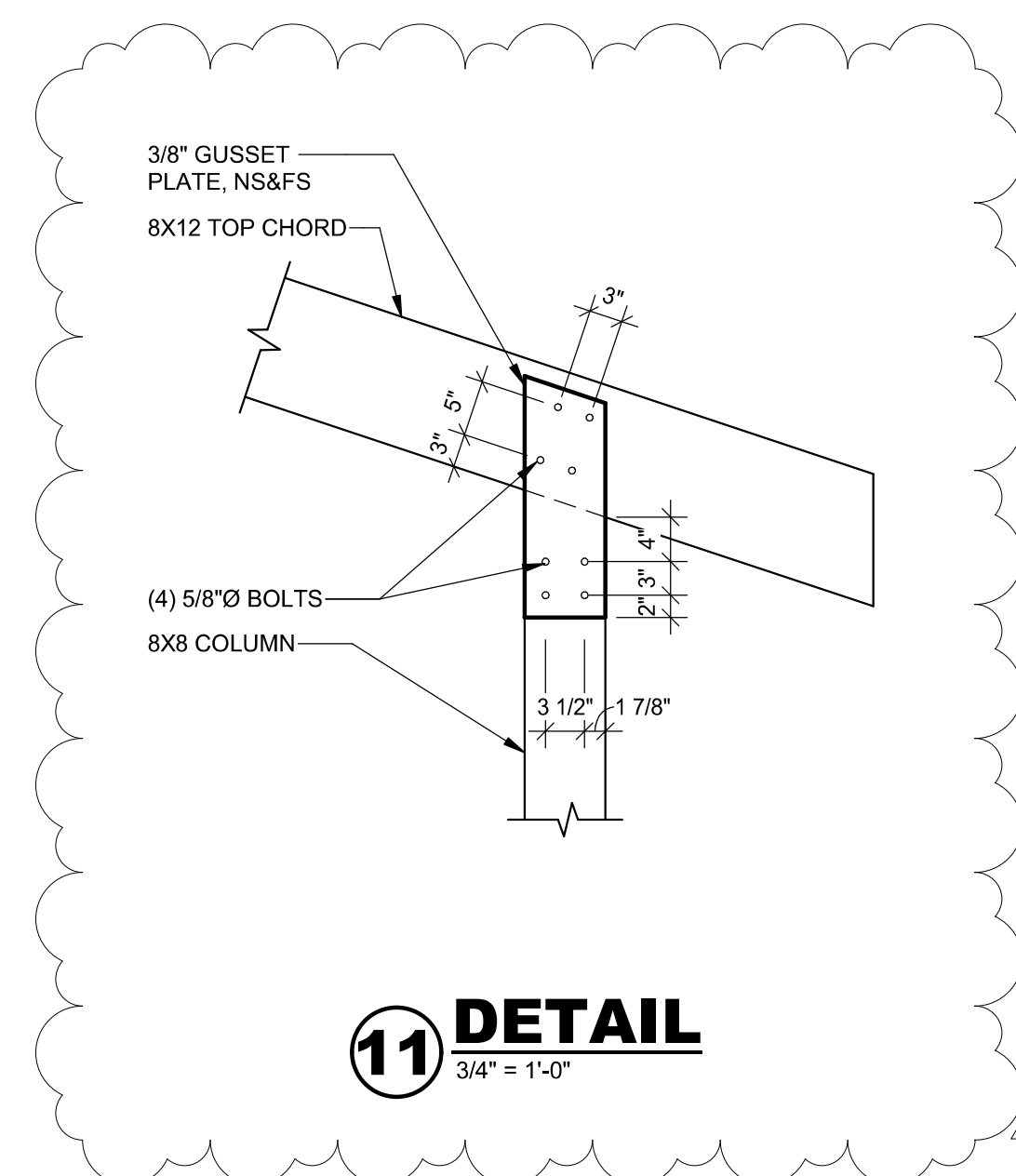
8 **DETAIL**
3/4" = 1'-0"



9 **DETAIL**
3/4" = 1'-0"



10 **DETAIL**
3/4" = 1'-0"



11 **DETAIL**
3/4" = 1'-0"

TIMBER TRUSS NOTES

- G.C. TO COORDINATE GUSSET PLATE DIMENSIONS WITH FINAL TRUSS PROFILES. G.C. TO SUPPLY TRUSS PROFILE AND GUSSET PLATE SHOP DRAWINGS BEFORE INSTALLATION.
- SCHEMATIC PLATE ORIENTATIONS ARE SHOWN ON THE DETAILS.
- MINIMUM EDGE DISTANCES, IF NOT NOTED ON DETAILS, ARE AS FOLLOWS:

A. PLATE EDGE TO BOLT CENTER	1"
B. WOOD EDGE TO BOLT CENTER	2 1/2"
C. WOOD END TO BOLT CENTER	2 1/2"
D. BOLT CENTER TO BOLT CENTER (IN THE SAME ROW)	3 1/2"
E. BOLT ROW CENTERLINE SPACING	3 1/2"

3/27/2020 11:06:49 AM
BIM 360://198014-003 - Watson Park Events Center New Building/198014_MASTER
STRUCT_R19.rvt