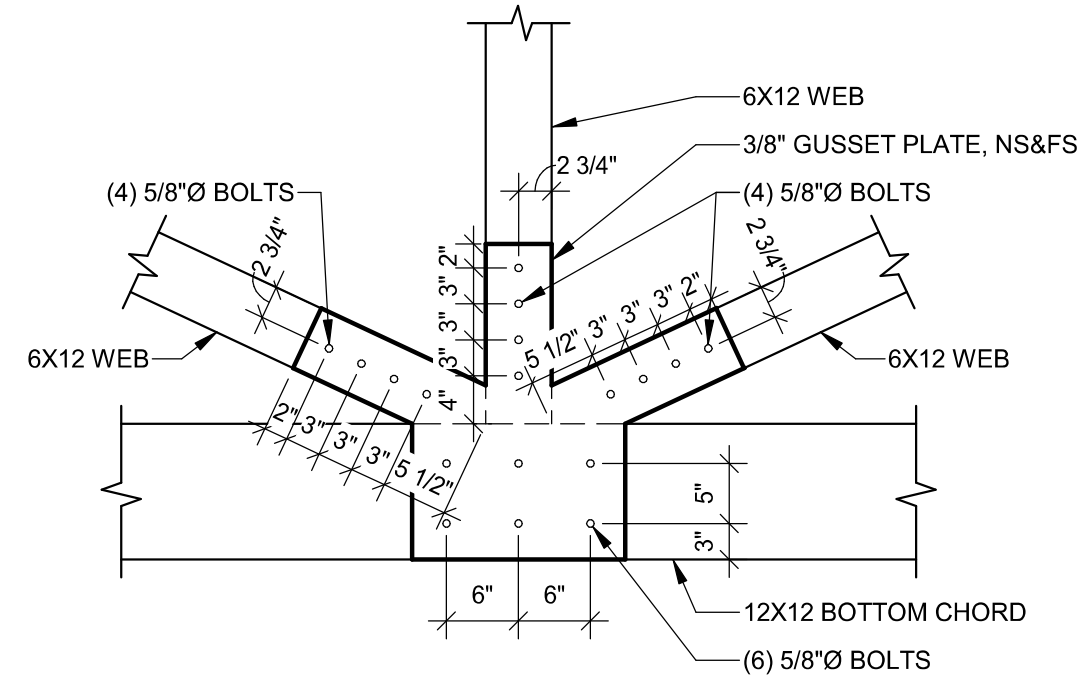
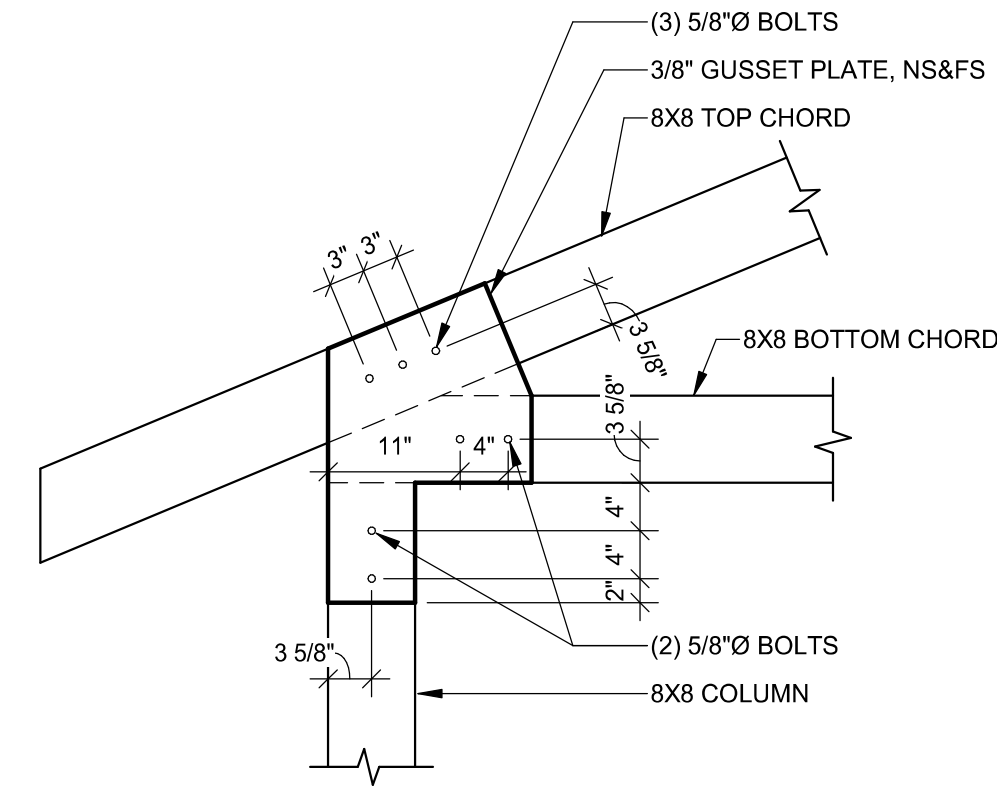


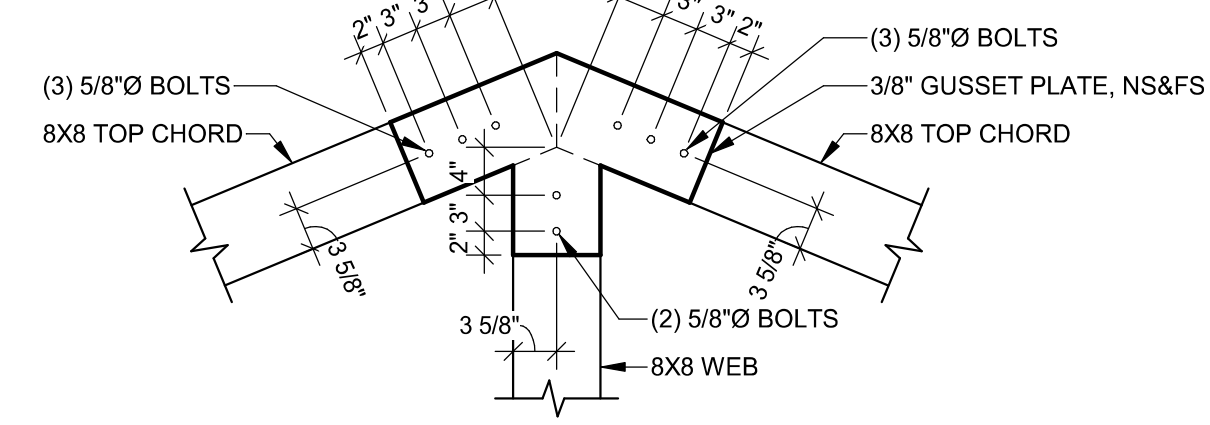
**1** **DETAIL**  
 3/4" = 1'-0"



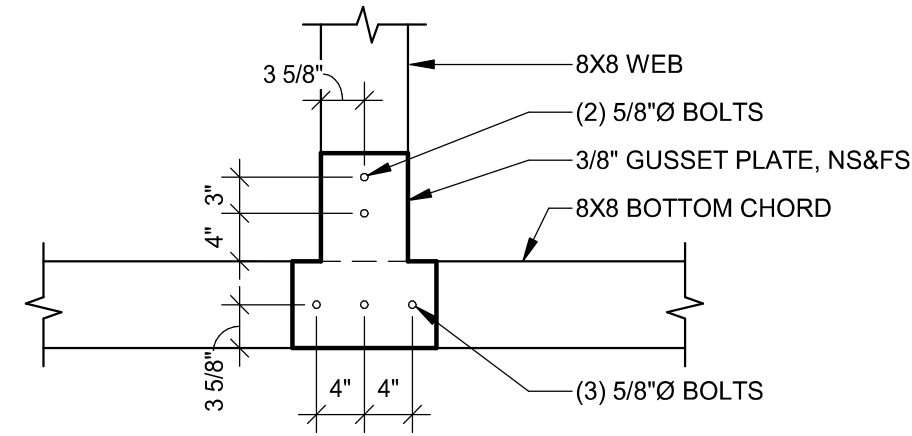
**2** **DETAIL**  
 3/4" = 1'-0"



**3** **DETAIL**  
 3/4" = 1'-0"



**4** **DETAIL**  
 3/4" = 1'-0"



**5** **DETAIL**  
 3/4" = 1'-0"

**TIMBER TRUSS NOTES**

1. G.C. TO COORDINATE GUSSET PLATE DIMENSIONS WITH FINAL TRUSS PROFILES. G.C. TO SUPPLY TRUSS PROFILE AND GUSSET PLATE SHOP DRAWINGS BEFORE INSTALLATION.
2. SCHEMATIC GUSSET PLATE ORIENTATIONS ARE SHOWN ON THE DETAILS.
3. MINIMUM EDGE DISTANCES, IF NOT NOTED ON DETAILS, ARE AS FOLLOWS:
 

A. PLATE EDGE TO BOLT CENTER	1"
B. WOOD EDGE TO BOLT CENTER	2"
C. WOOD END TO BOLT CENTER	2 1/2"
D. BOLT CENTER TO BOLT CENTER (IN THE SAME ROW)	2 1/2"
E. BOLT ROW CENTERLINE SPACING	3 1/2"