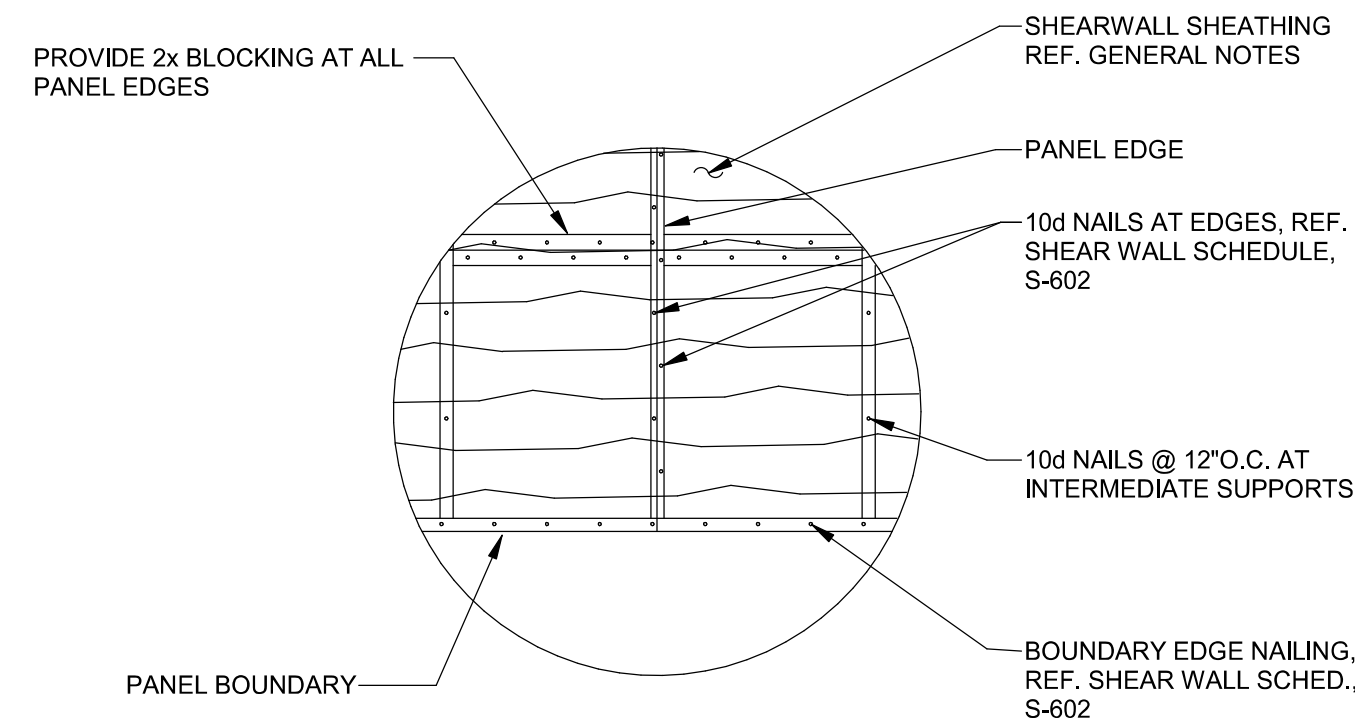
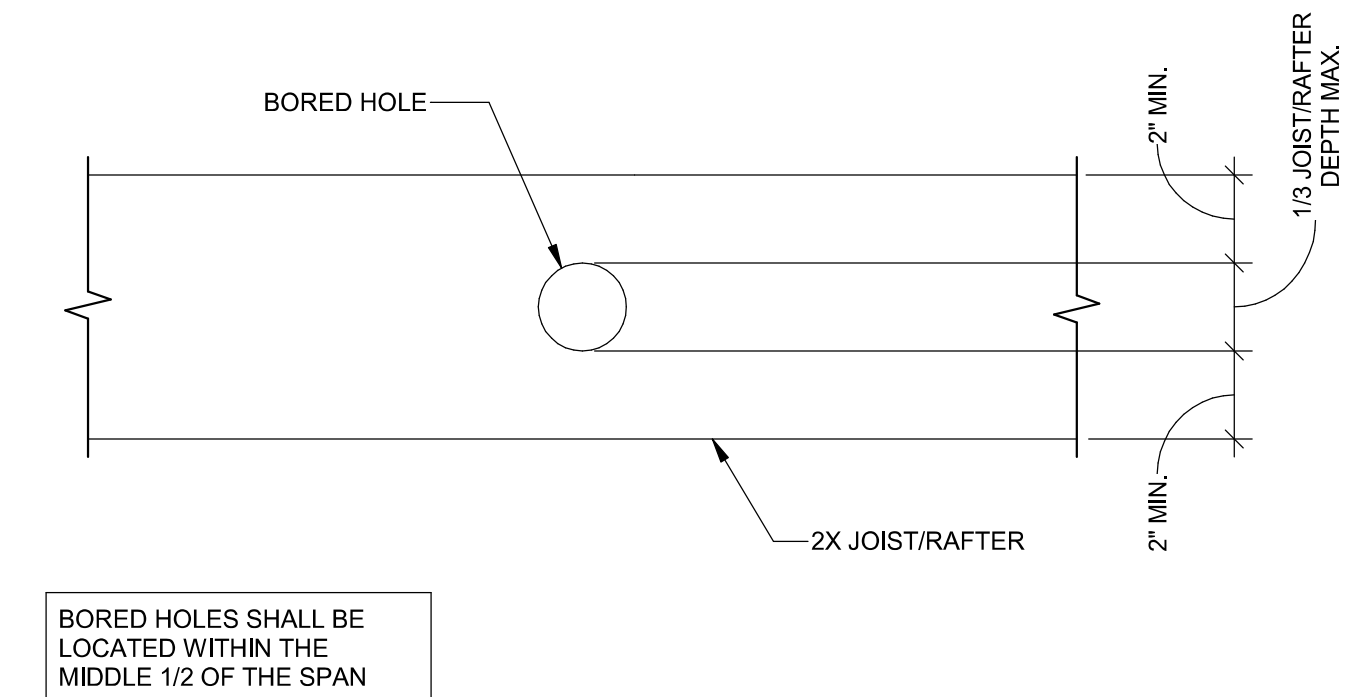


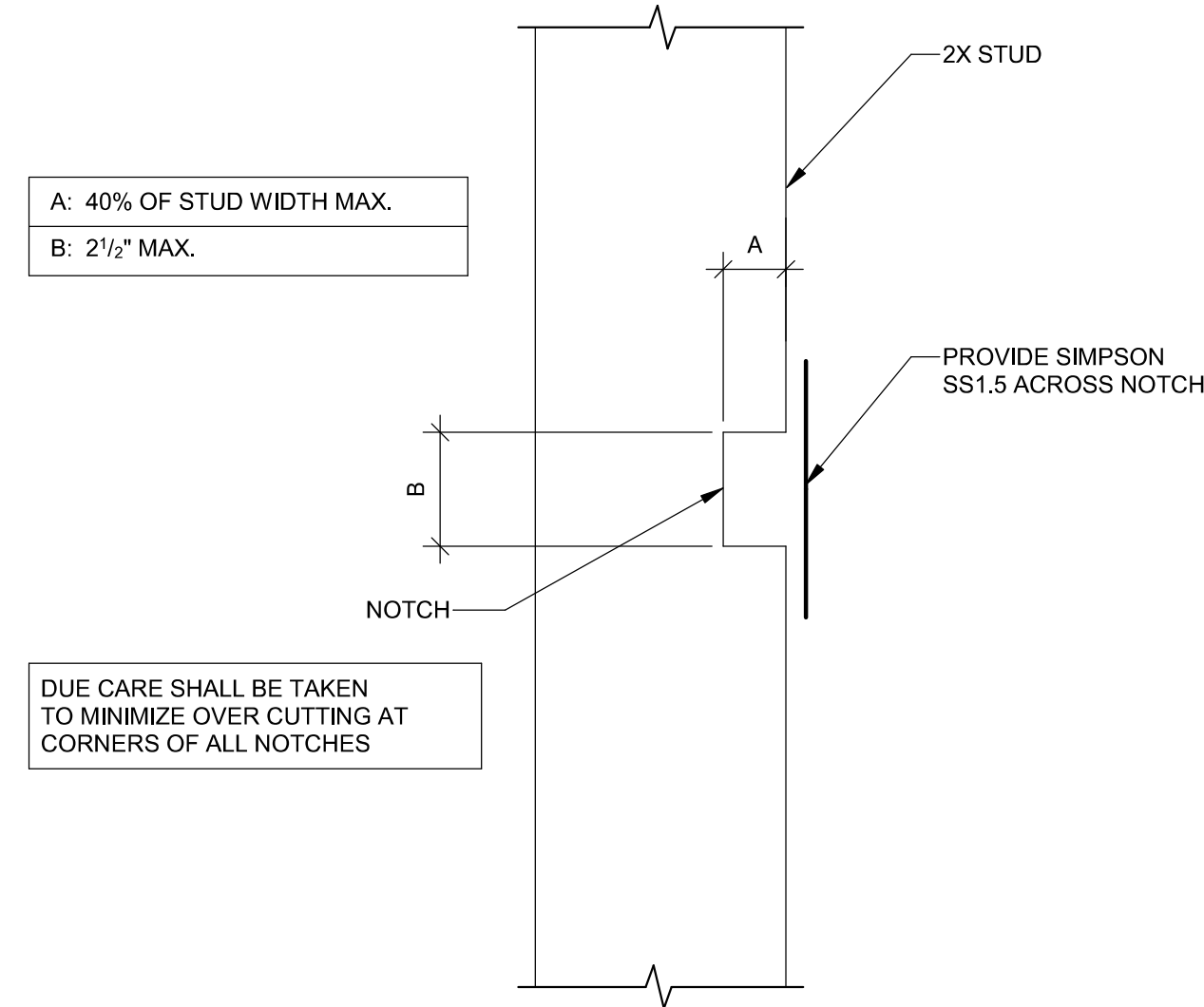
**1 ROOF SHEATHING FASTENING DETAIL**  
NO SCALE



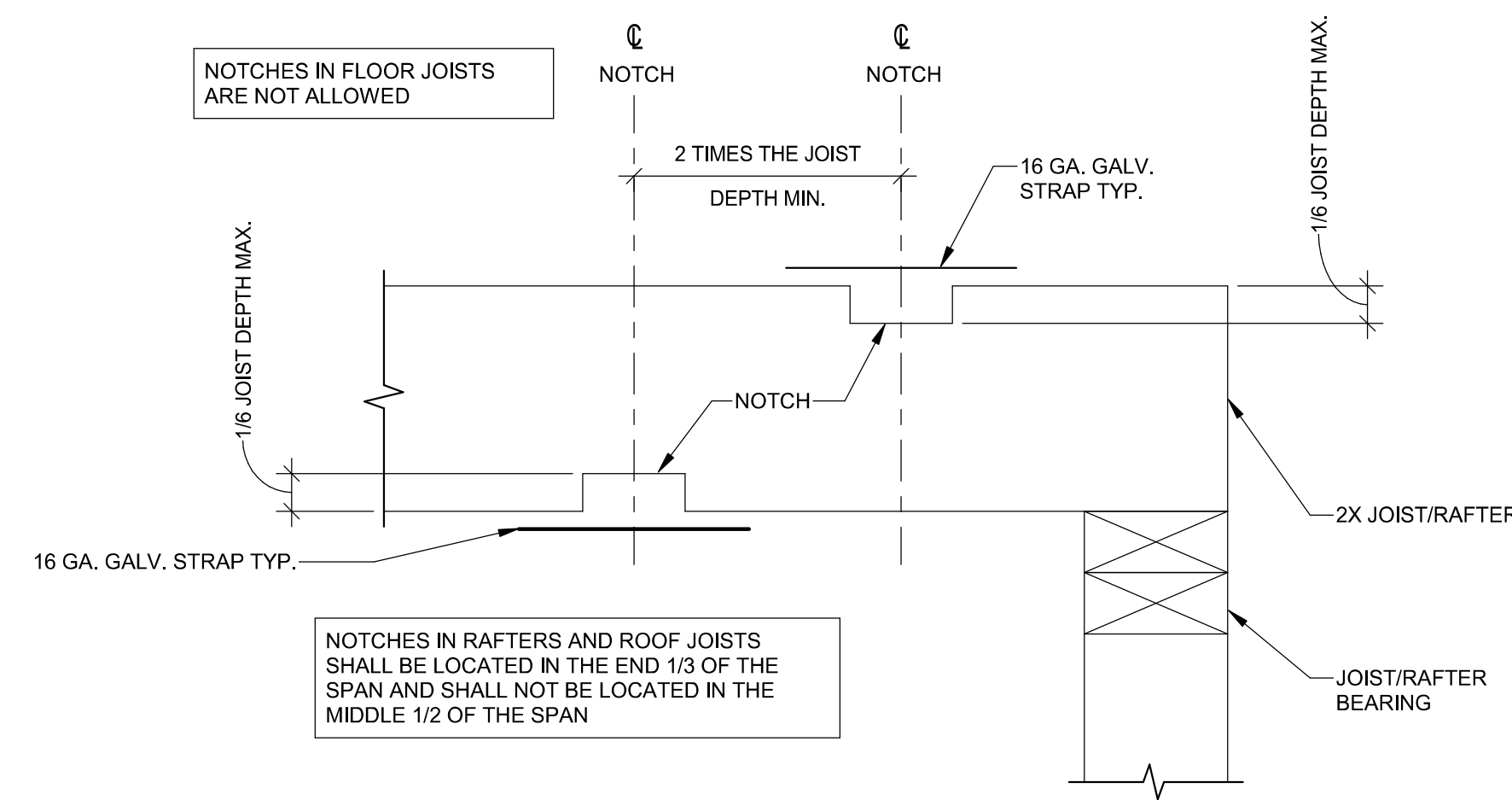
**2 SHEARWALL BLOCKING ATTACHMENT**  
NO SCALE



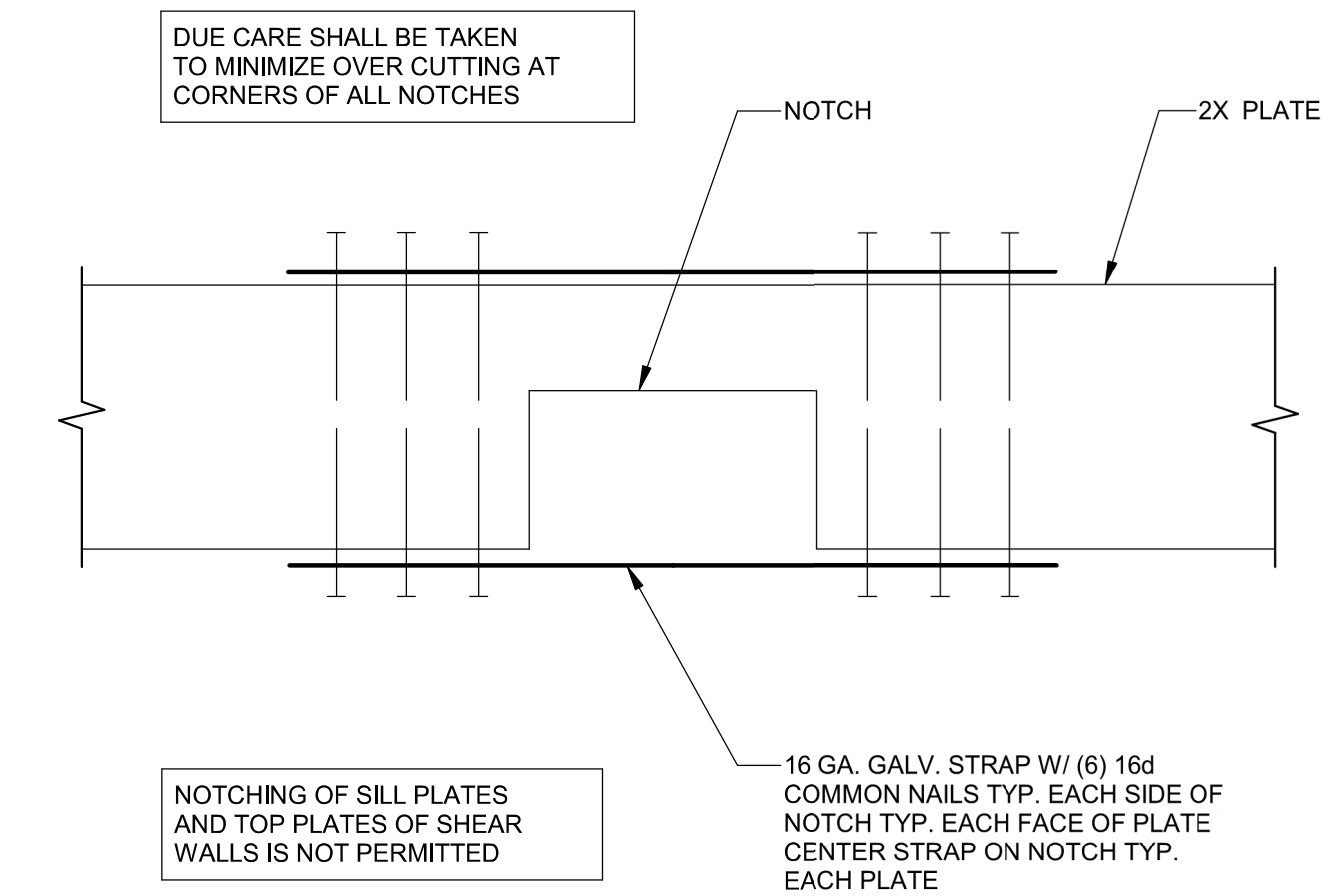
**3 BORED HOLE IN JOIST/RAFTER**  
NO SCALE



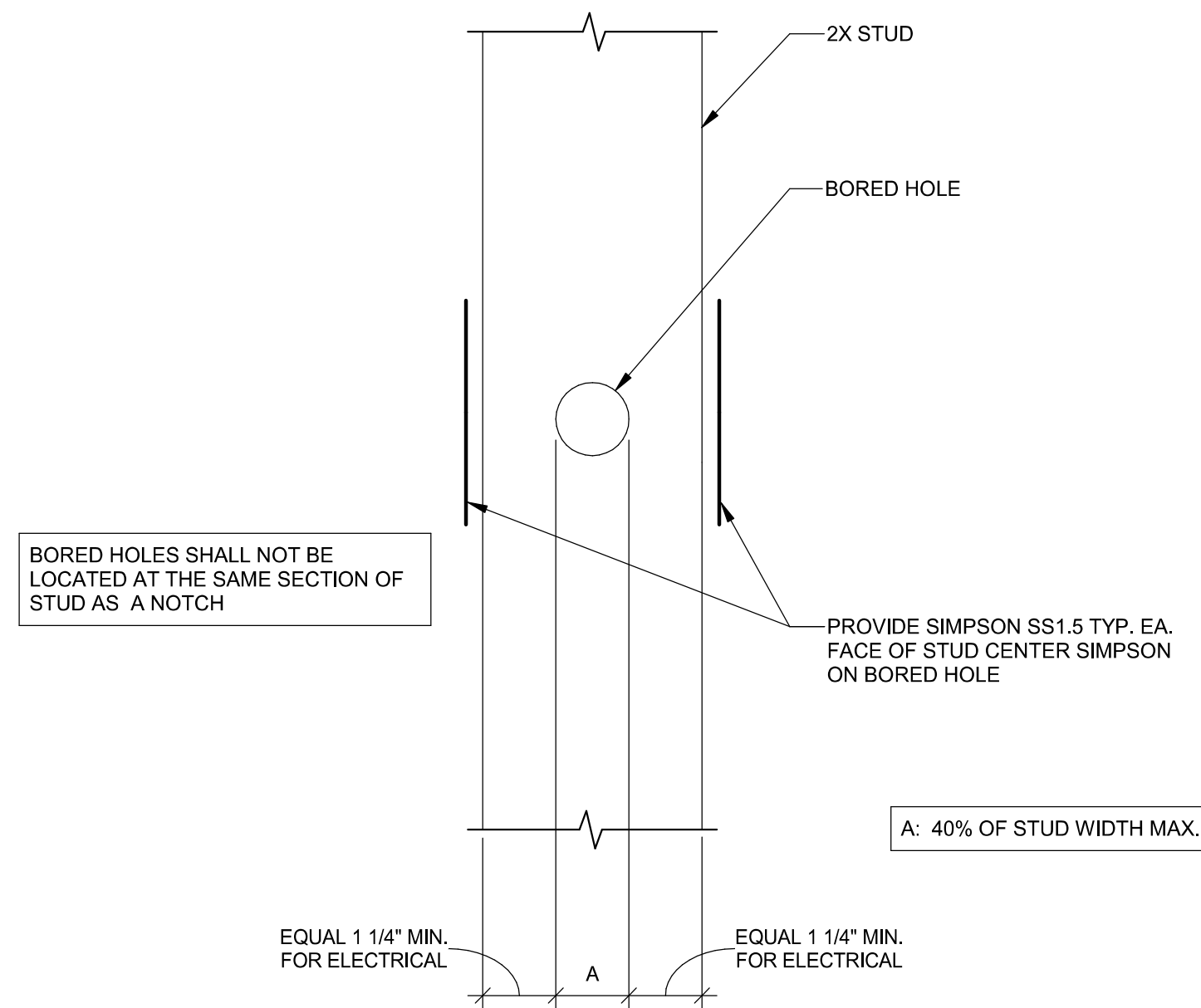
**4 NON-LOAD BEARING WALL STUD**  
NO SCALE



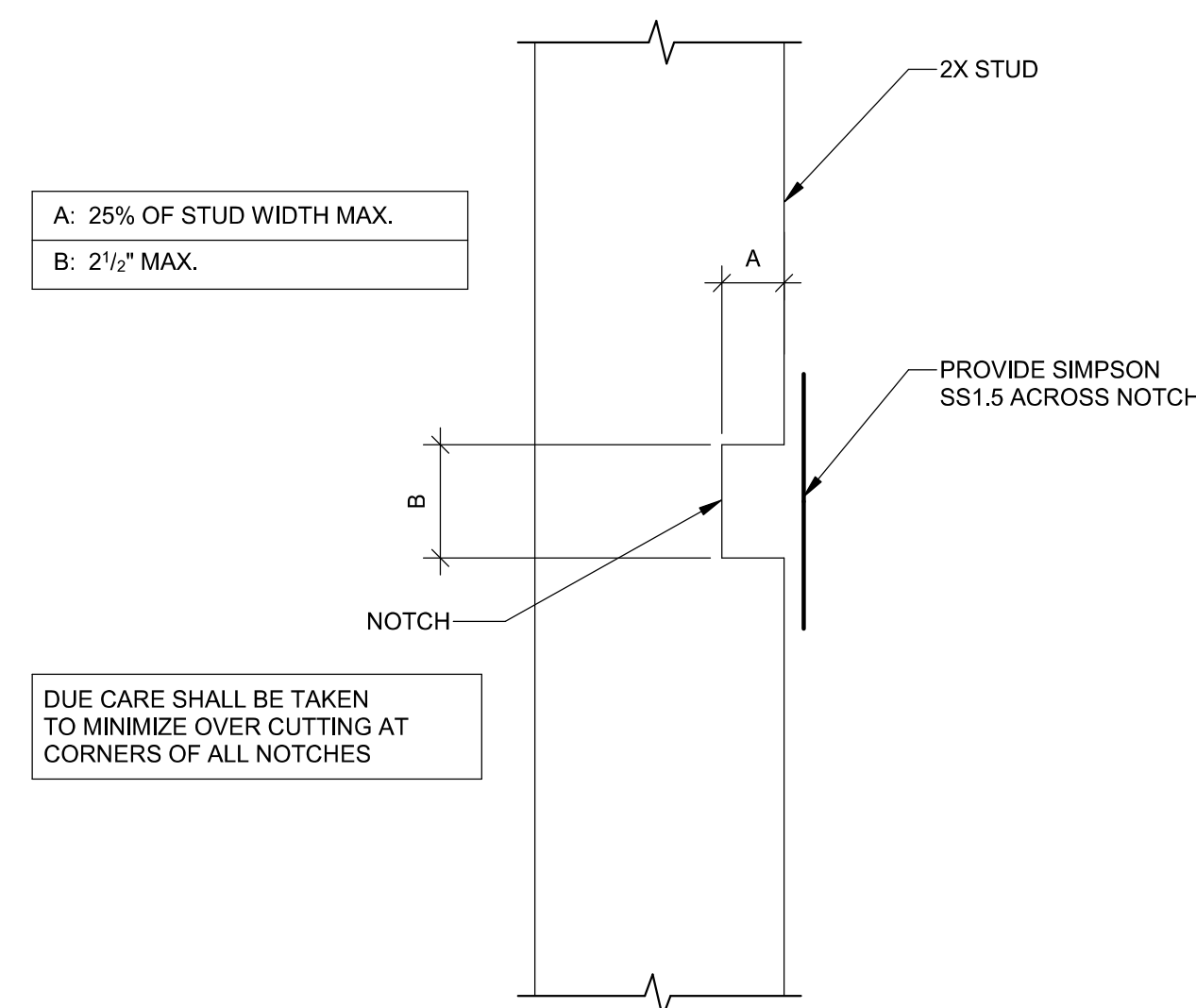
**5 NOTCHES IN THE JOIST/RAFTER**  
NO SCALE



**6 NOTCH IN SILL OR TOP PLATE**  
NO SCALE



**7 BORED HOLES IN ANY STUD**  
NO SCALE



**8 LOAD BEARING WALL STUD**  
NO SCALE

2/14/2020 9:39:15 AM  
BIM 360//198014-003 - Watson Park Events Center New Building/198014\_MASTER  
STRUCT\_R19.rvt