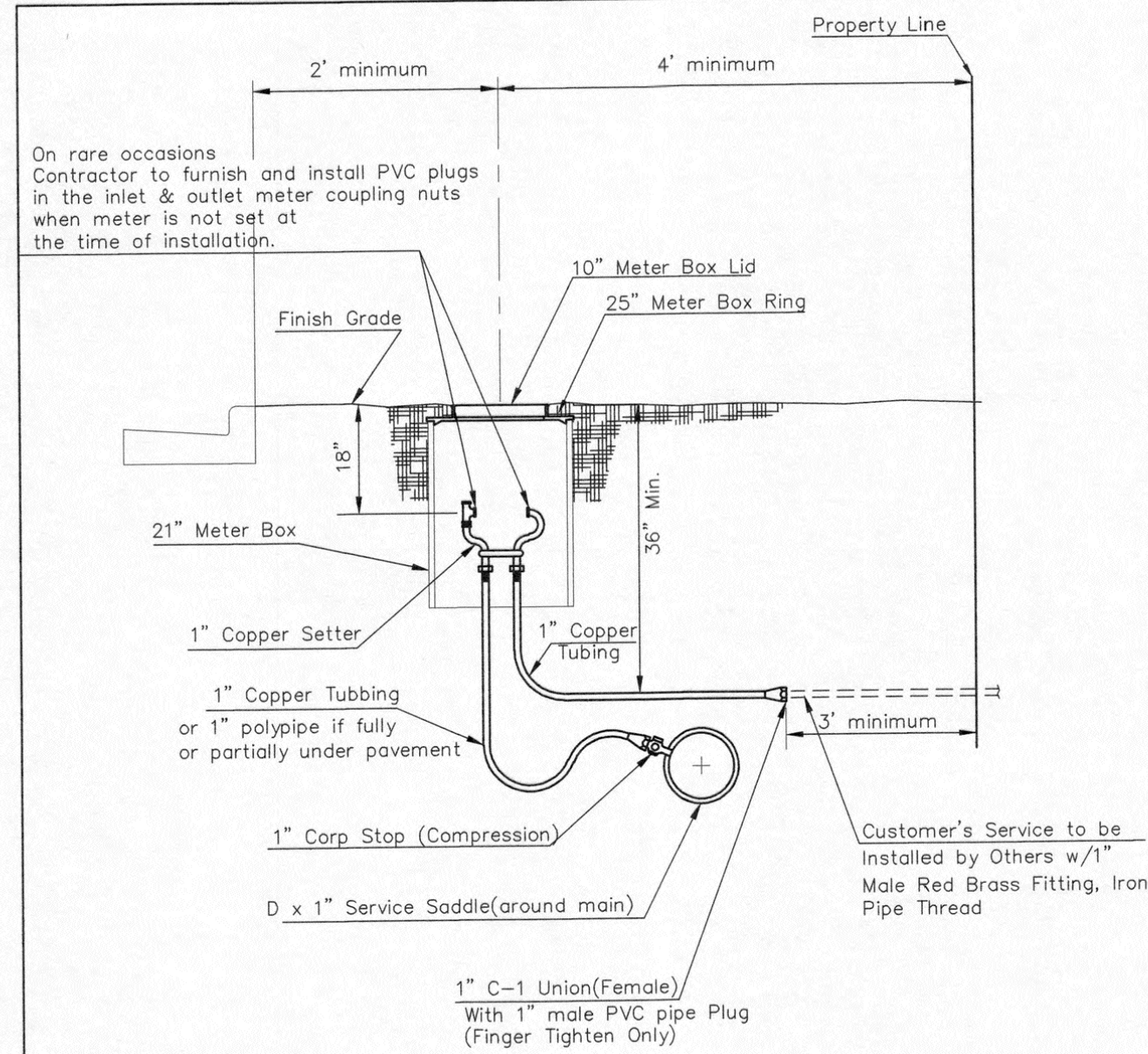
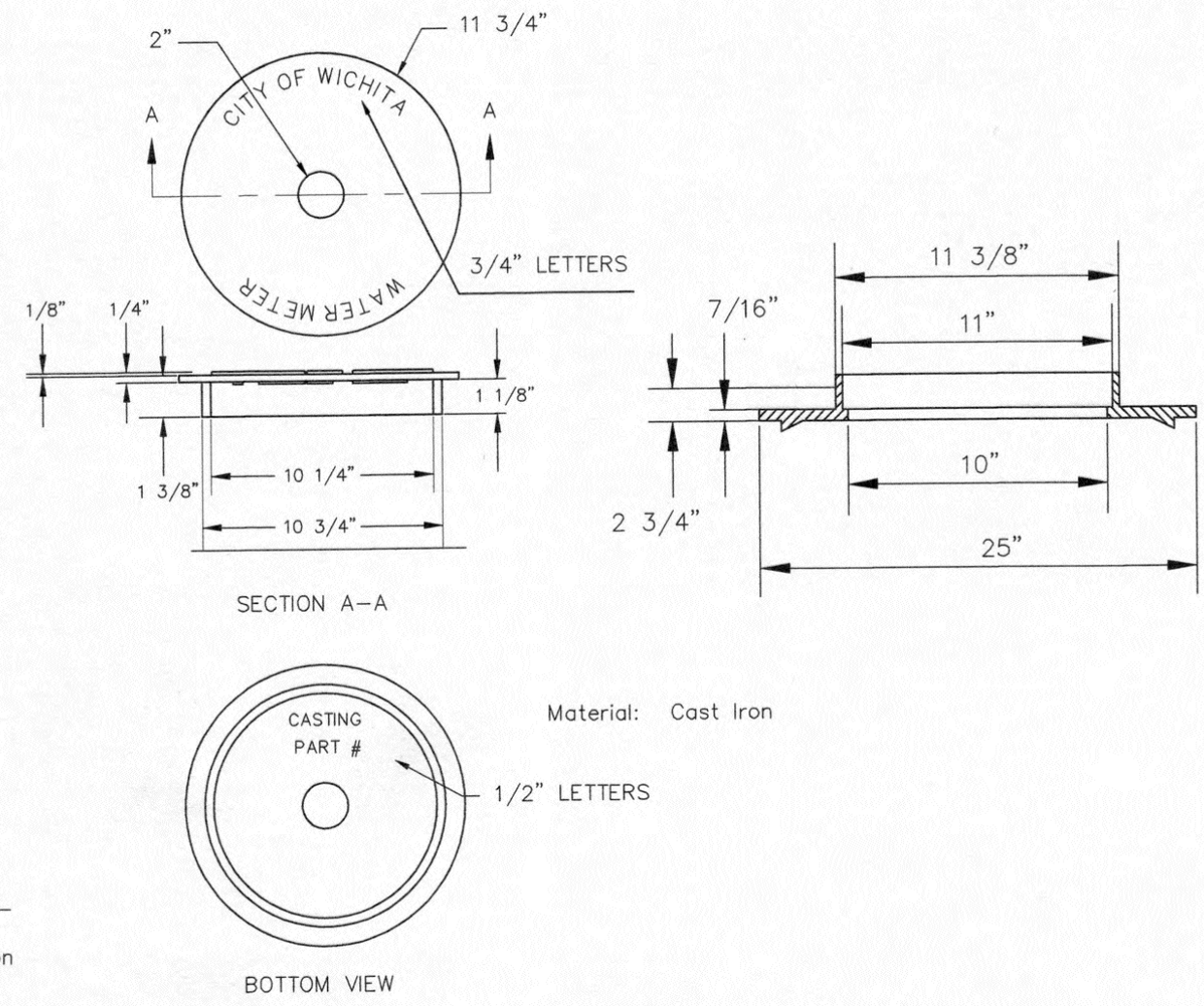


SAVED 4/14/2020 5:08:45 PM BY KURTIS DEKAT
 PLOTTED 5/18/2020 1:13:27 PM BY KURTIS DEKAT
 U:\WICHITA-CIVIL\2019\197042\014\MUMDRAWINGS\197042-014-C503-STANDARD WATER SERVICE DETAIL.DWG



Minimum length of pigtail on consumer side is 36" of copper tubing from meter set.
 Bore hole under paving shall be a maximum of 2" in diameter and a minimum of 36" below top of pavement.
 Service Saddles are required on all mains.
 Meter boxes will be located on each lot to be served, as indicated in the SPECIAL PROVISIONS

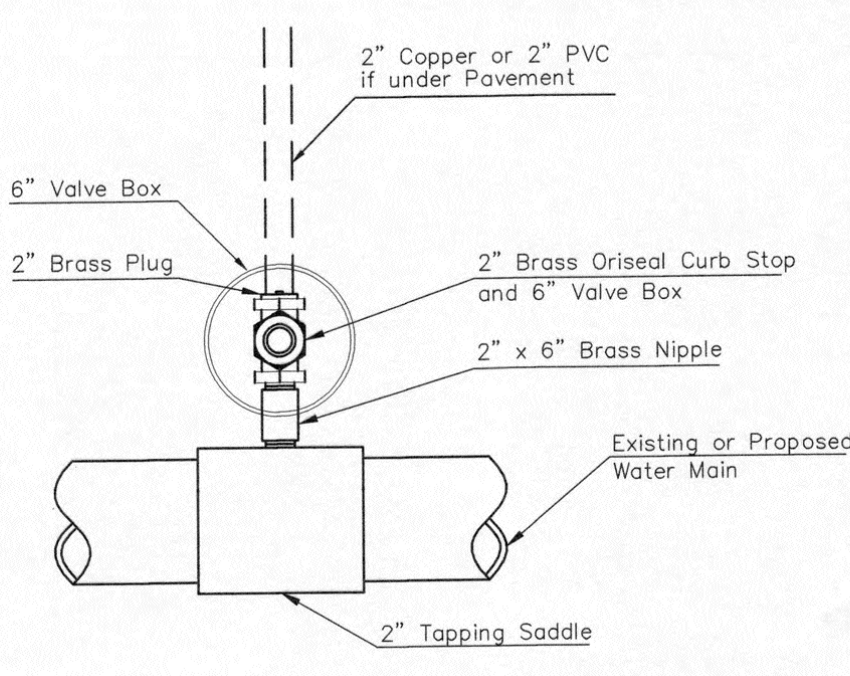
TYPICAL 1" METER SETTING



NOT TRAFFIC RATED RING & LID FOR 1" METER BOX

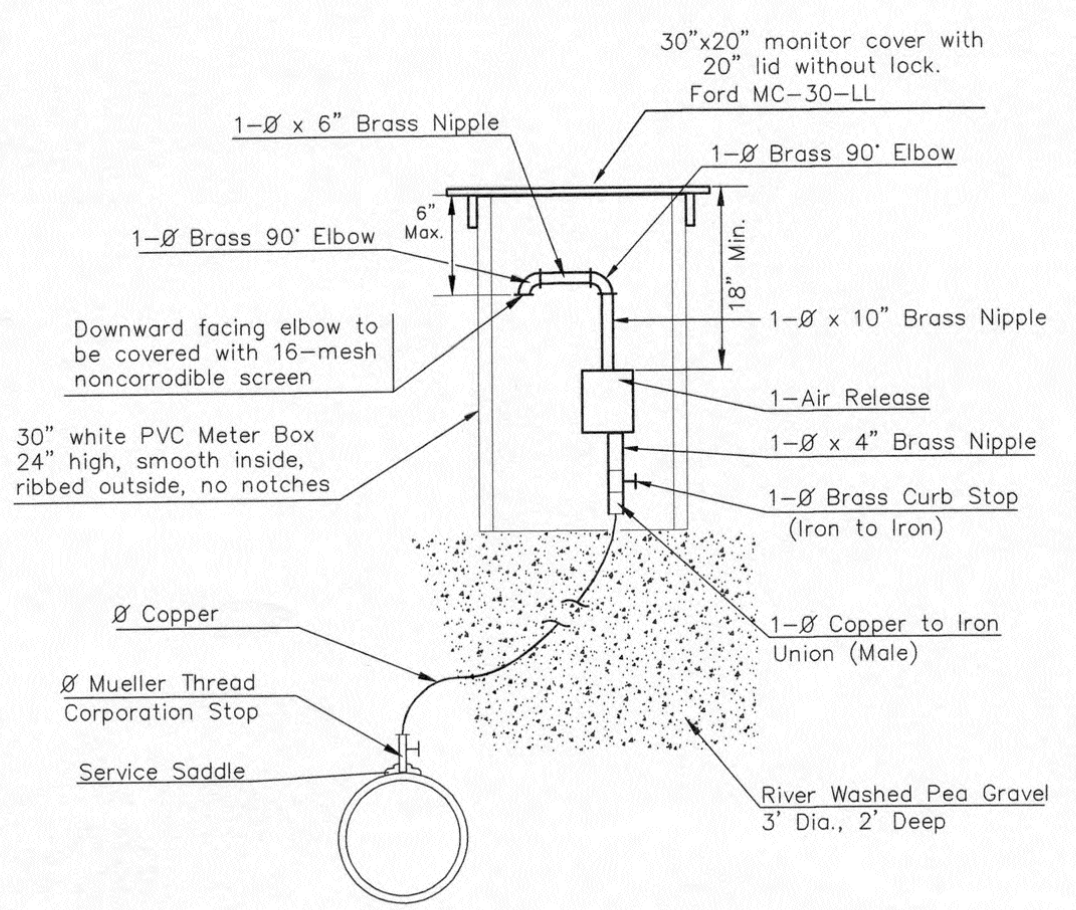
- 1 - Ø Mueller Thread Corporation Stop
 - Ø Type "K" Copper Tubing
 - 1 - Ø Copper to Iron Union (Male)
 - 1 - Ø Brass Curb Stop (Iron to Iron)
 - 2 - Ø4" Brass Nipple
- Air Release
- 2 - Ø Brass Elbows (90°)
 - 1 - 1"x6" Brass Nipple
 - 1 - 30" Monitor Cover
 - 1 - 20" Meter Lid

NOTE:
 THE 1 1/2" AIR RELEASE ASSEMBLY WILL TYPICALLY BE USED ON WATER MAINS 24" AND SMALLER, AS SPECIFICALLY DESIGNATED IN THE PLANS. COMBINATION AIR RELEASE ASSEMBLIES WILL BE SPECIFICALLY DESIGNED FOR PROJECTS WITH LARGER MAINS, AND WILL BE INCLUDED IN THE PLANS.

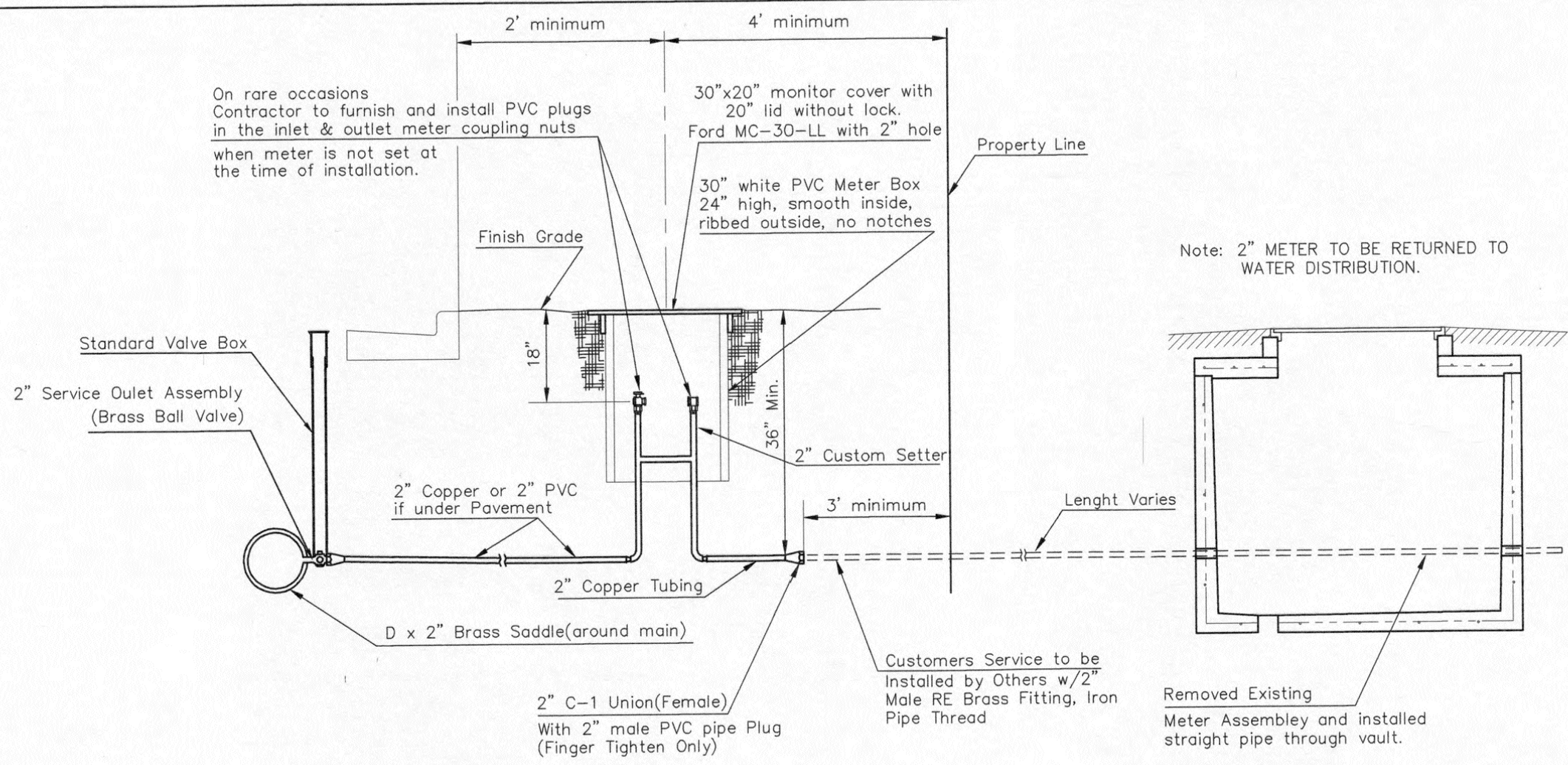


Note: Where the 2" Service Outlet Assembly is to be used to connect a 2" main to another main, the 2" valve shall be a 2" IPT Gate Valve. 2" ball or globe valves shall not be approved for this use.

2" SERVICE OUTLET ASSEMBLY TOP VIEW



MATERIALS FOR 1" or 2" AIR RELEASE ASSEMBLY Ø = 1" or 2"

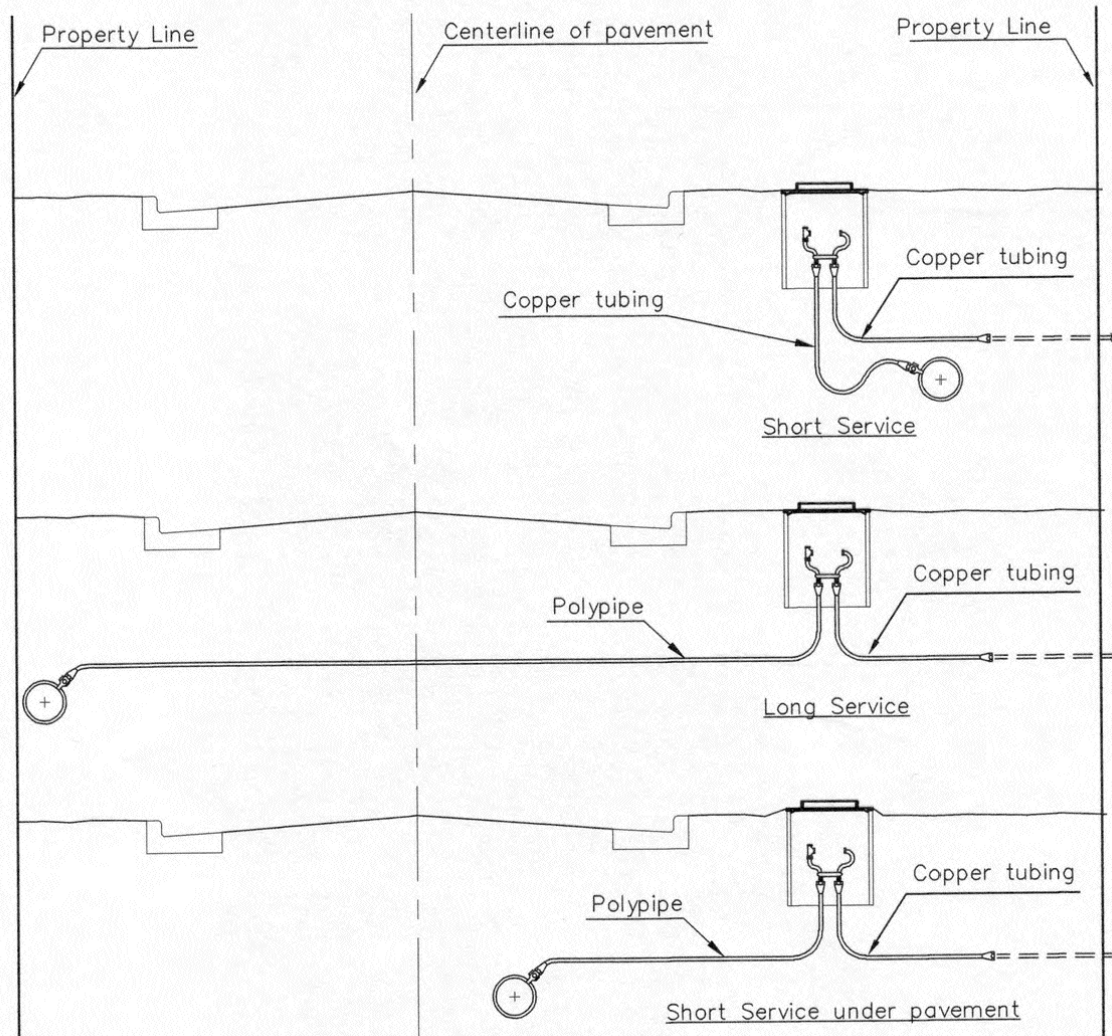


TYPICAL 2" METER SETTING

Note: ONE VALVE STEM EXTENSION FOR EACH VALVE BURIED GREATER THAN 5'.

TYPICAL 2" METER SETTING INVOLVING EXISTING 2" METER VAULT

Note: ONE VALVE STEM EXTENSION FOR EACH VALVE BURIED GREATER THAN 5'.



SERVICE TYPES

REVISED: DECEMBER 2018 TM		BRASS NIPPLE LENGTH TO 10" ON THE 1" OR 2" AIR RELEASE ASSEMBLY	
 STANDARD WATER SERVICE DETAIL CITY ENGINEER GARY JANZEN, P.E.			
PROJECT NUMBER	OCA NUMBER	DATE	
CITY ENGINEER'S OFFICE		SHEET	
CITY HALL - SEVENTH FLOOR 455 NORTH MAIN STREET WICHITA, KANSAS 67202-1620 (316) 268-4501			



WATERLINE IMPROVEMENTS TO SERVE

WILLIAM STREET FROM BROADWAY TO TOPEKA

GARY JANZEN, P.E. - CITY ENGINEER
 CITY OF WICHITA PROJECT NO. 448-2020-00092

Issue:	
JOB NO.	35-197042-014-0042
DATE	MAY 2020
PM	RWG
DESIGNED BY	TBK
DRAWN BY	KTD
CHECKED BY	RWG

STANDARD WATER SERVICE DETAIL

C503

WL-102