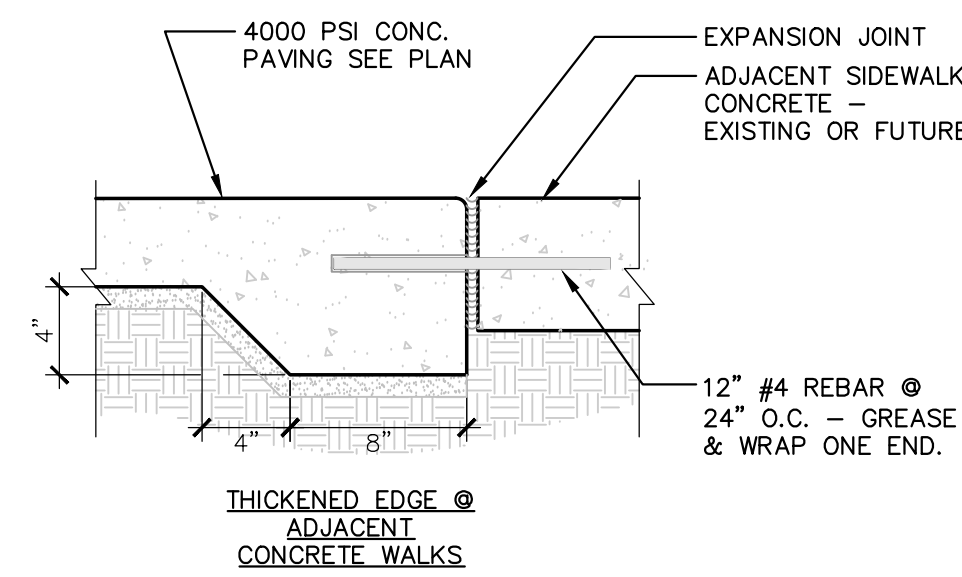


## 2 SIDEWALK JOINTING

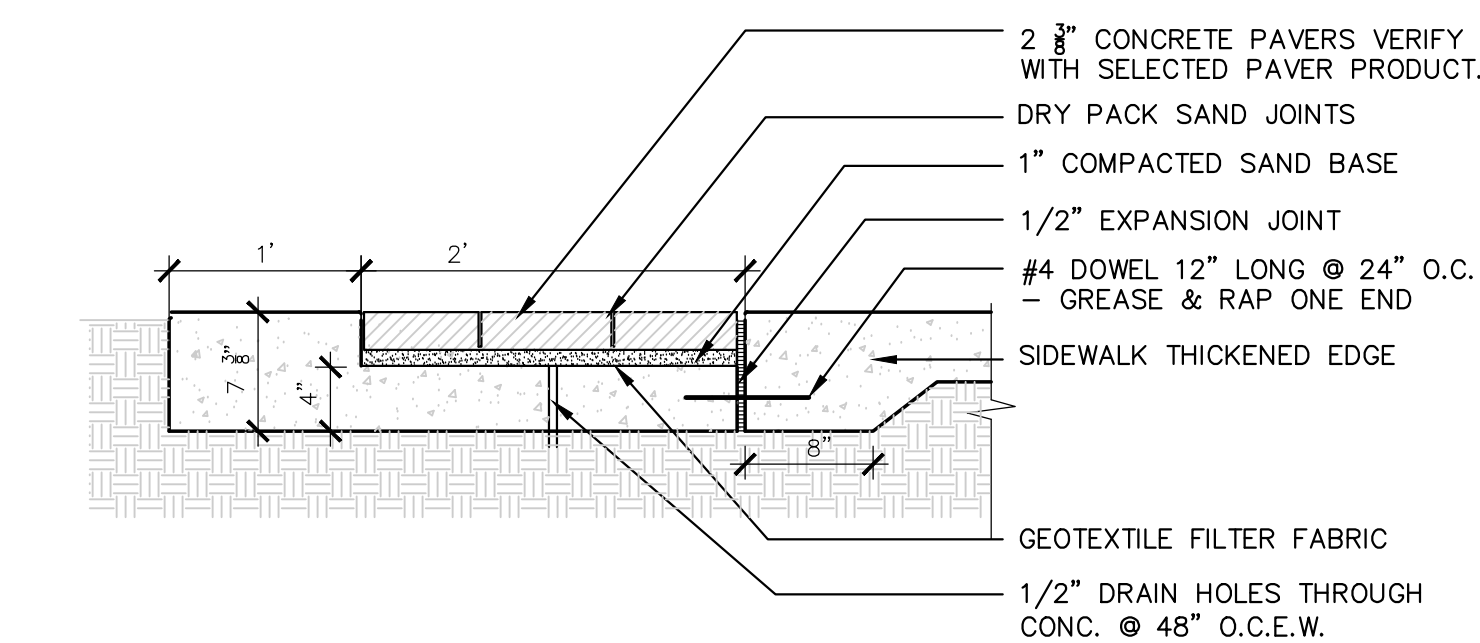
- 1/2" EXPANSION JOINT FOR CONCRETE WALK SHALL BE "SONOLASTIC EXPANSION JOINT FILLER" (GRAY): SONNEBORN, CHEMREX INC. OR APPROVED EQUIVALENT.
- SEALANT SHALL BE MULTI-PART POURABLE URETHANE SEALANT: "POURTHANE"; W.R. MEADOWS, INC. OR APPROVED EQUIVALENT.
- ALL LABOR AND MATERIALS FOR EXPANSION AND CONTRACTION JOINTS SHALL BE SUBSIDIARY TO CONCRETE SIDEWALK.

1 1/2" = 1'-0"

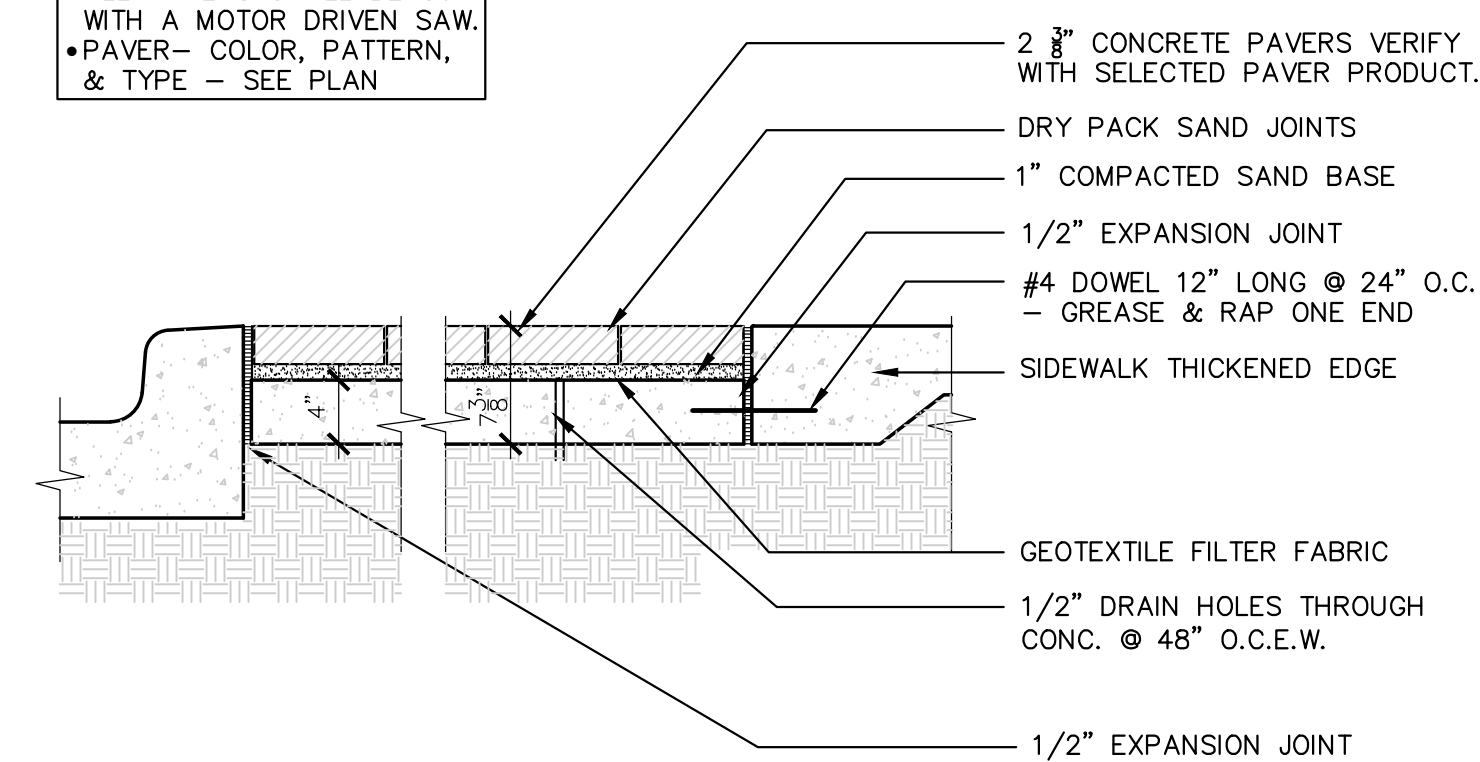


## 3 SIDEWALK THICKENED EDGE

1 1/2" = 1'-0"



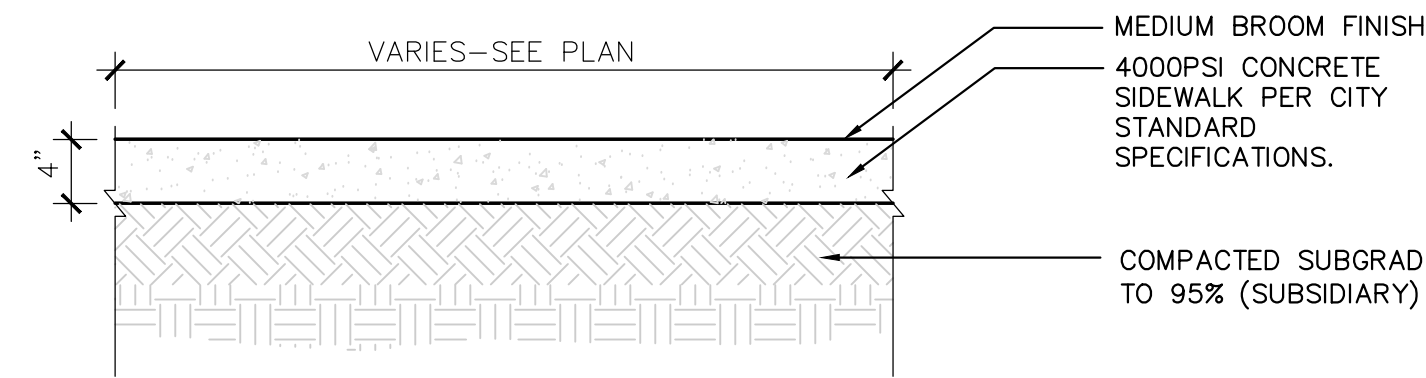
NOTE:  
 • ALL PAVERS SHALL BE CUT WITH A MOTOR DRIVEN SAW.  
 • PAVER - COLOR, PATTERN, & TYPE - SEE PLAN



## 4 CONCRETE PAVERS DETAIL-SIDEWALK

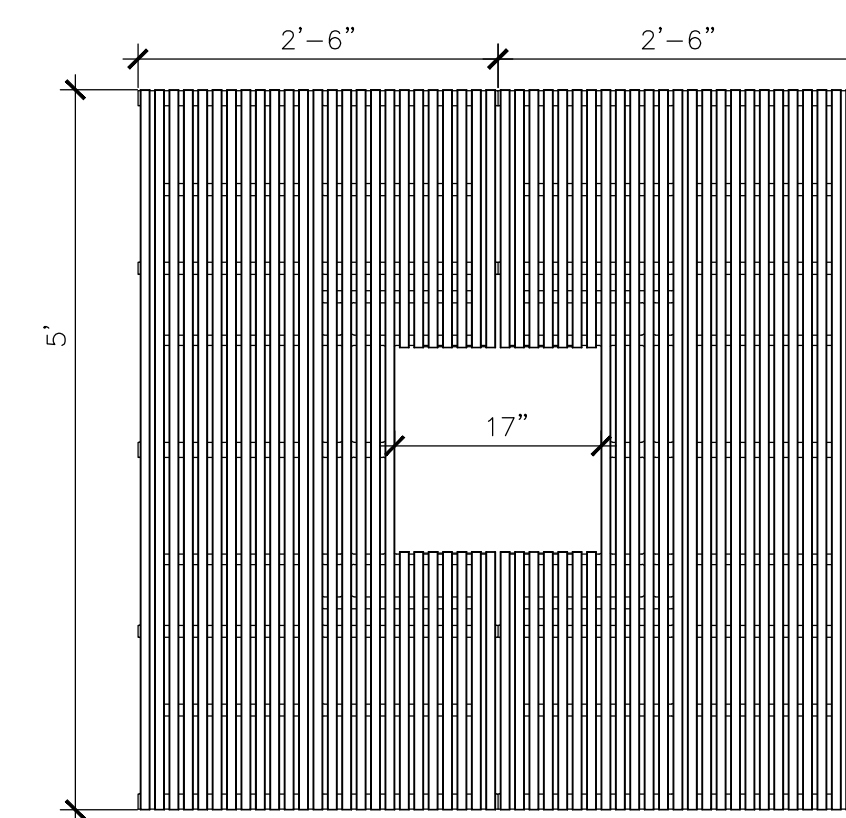
CONCRETE BASE - TYPICAL INSTALLATION

1" = 1'-0"



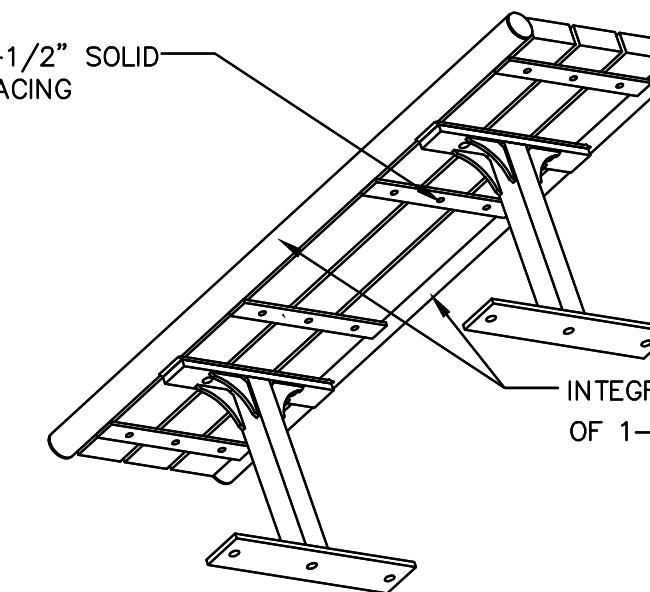
## 1 CONCRETE SIDEWALKS-PLAIN

1" = 1'-0"

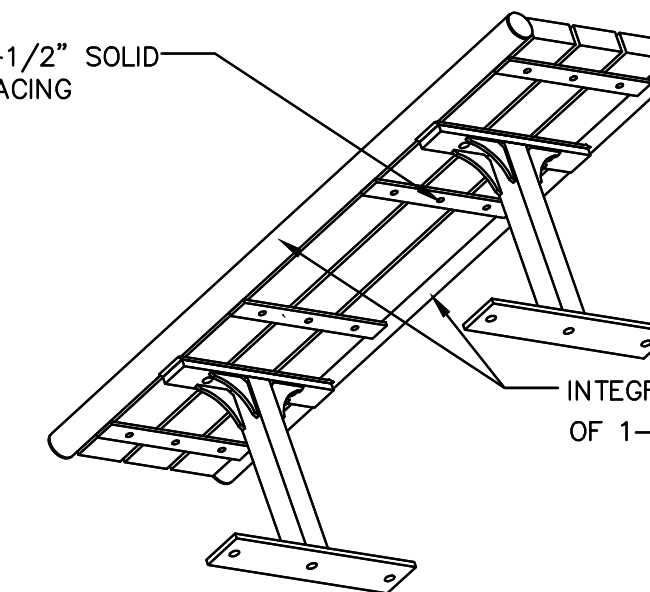


TREE GRATES  
 MANUFACTURER: IRONSMITH  
 MODEL: #M6072  
 STYLE: METRO  
 SIZE: 60"x60"  
 OPENING SIZE: 17"  
 FRAME: 6000F  
 FINISH: UNFINISHED, RAW

1/4" x 1-1/2" SOLID STEEL BRACING



INTEGRAL WELDED CROSS-MEMBERS OF 1-7/8" TUBULAR STEEL



NOTES:  
 ALL FABRICATED METAL COMPONENTS ARE STEEL SHOTBLASTED, ETCHED, PHOSPHATIZED, PREHEATED, AND ELECTROSTATICALLY POWDER-COATED WITH T.G.I.C. POLYESTER POWDER COATINGS. PRODUCTS ARE FULLY CLEANED AND PRETREATED, PREHEATED AND COATED WHILE HOT TO FILL CREVICES AND BUILD COATING FILM. COATED PARTS ARE THEN FULLY CURED TO COATING MANUFACTURER'S SPECIFICATIONS. THE THICKNESS OF THE RESULTING FINISH AVERAGES 8-10 MILS (200-250 MICRONS).

IT IS NOT RECOMMENDED TO LOCATE ANCHOR BOLTS UNTIL BENCH IS IN PLACE. THIS VICTOR STANLEY, INC. PRODUCT MUST BE PERMANENTLY AFFIXED TO THE GROUND. CONSULT YOUR LOCAL CODES FOR REGULATIONS.

ANCHOR BOLTS NOT PROVIDED BY VICTOR STANLEY, INC.

FOR HIGH SALT ABUSIVE CLIMATES, HOT DIP GALVANIZING BEFORE POWDER COATING IS AVAILABLE. SEE WRITTEN SPECIFICATIONS FOR DETAILS.

ALL SPECIFICATIONS ARE SUBJECT TO CHANGE. CONTACT MANUFACTURER FOR DETAILS.

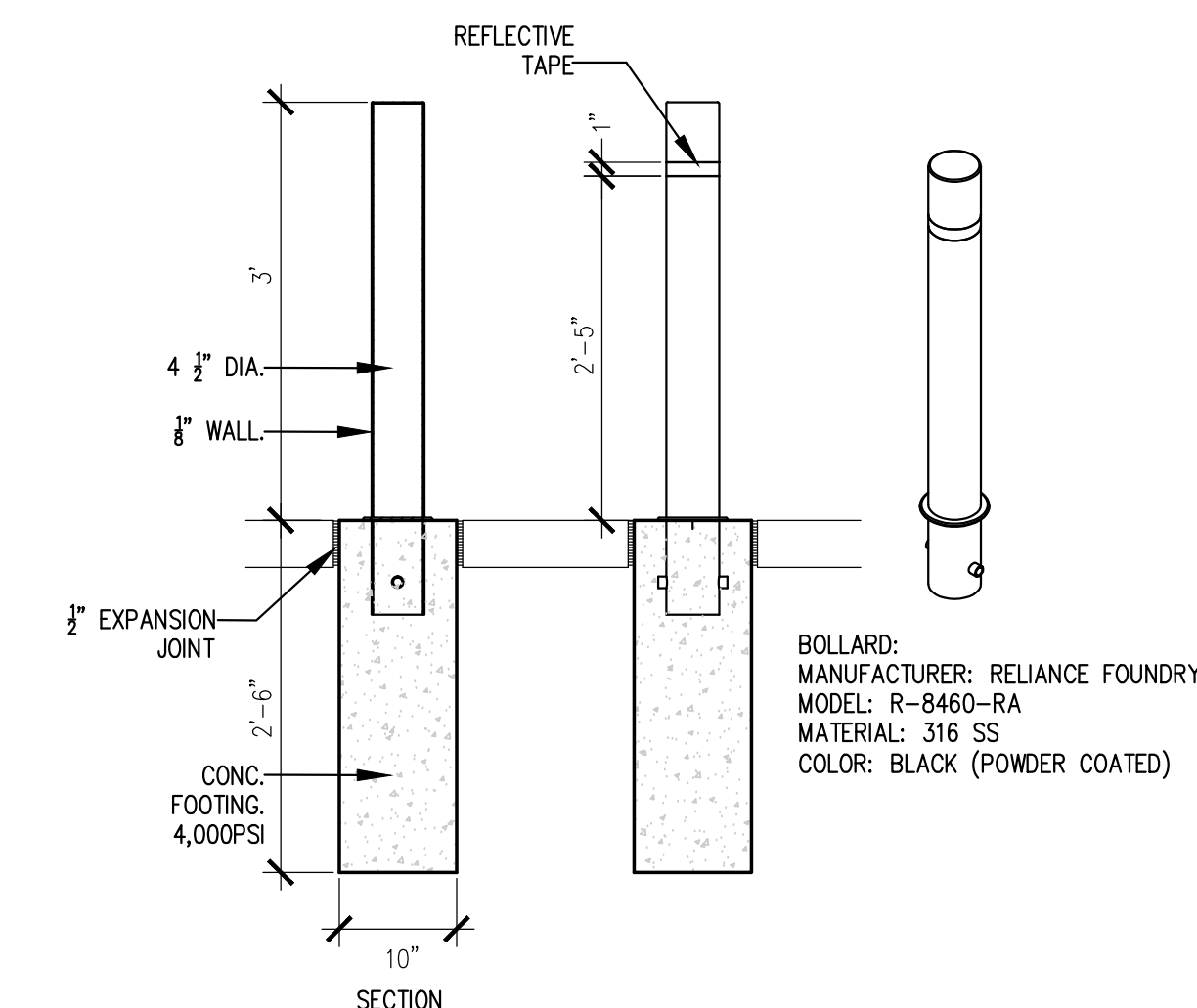
THIS PRODUCT IS SHIPPED FULLY ASSEMBLED.

## 7 BENCH F-53

1" = 1'-0"

STREETSTIES SERIES -  
 COPYRIGHT 2013 VICTOR STANLEY, INC.®  
 P.O. DRAWER 330 - DUNKIRK, MD 20754 USA  
 TOLL FREE: (800) 368-2573 (USA & CANADA)  
 TEL (301) 855-8300 - FAX (410) 257-7579  
 WEB SITE: HTTP://WWW.VICTORSTANLEY.COM

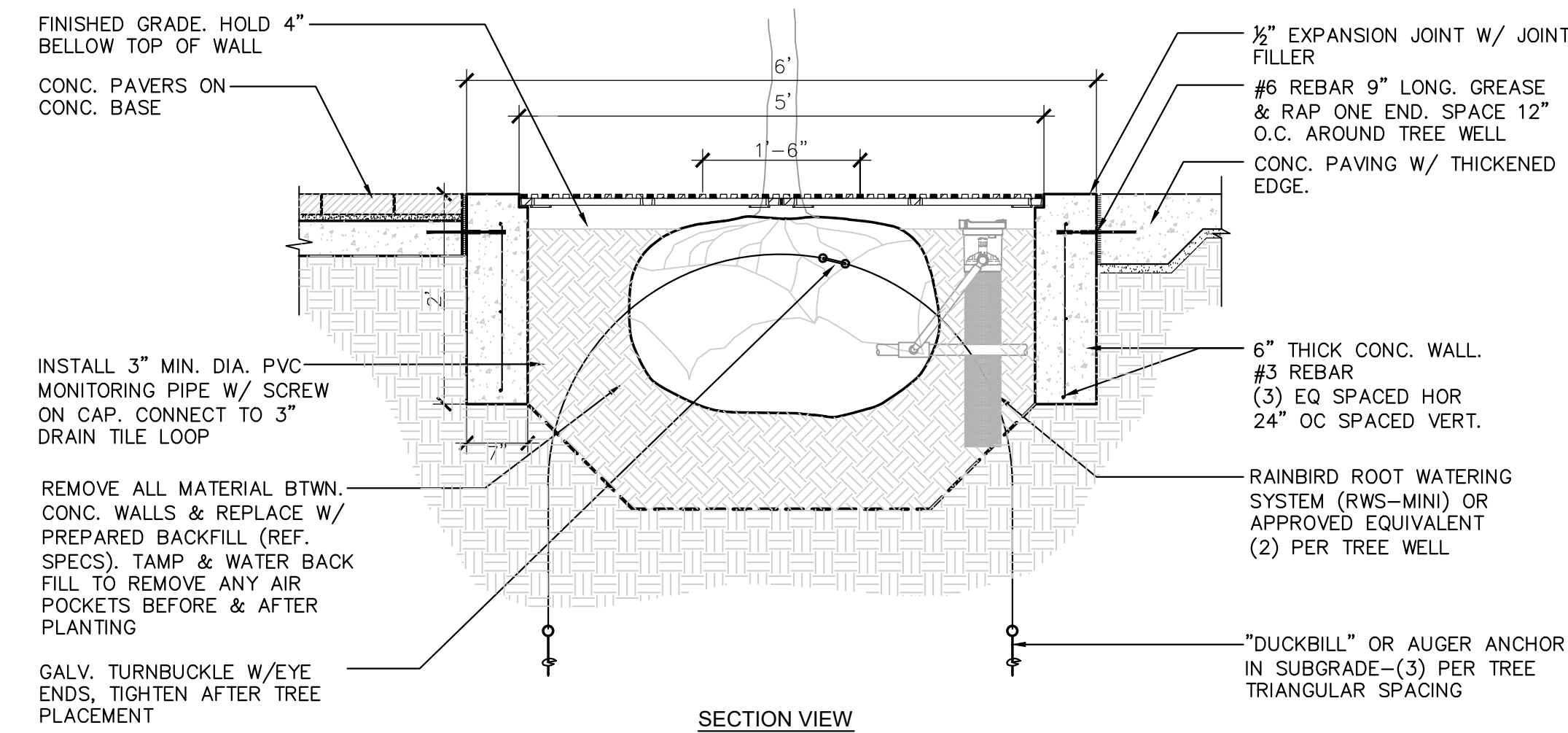
THIS PRODUCT IS COVERED BY THE FOLLOWING U.S. PATENT D595,973 S; CANADA 130715



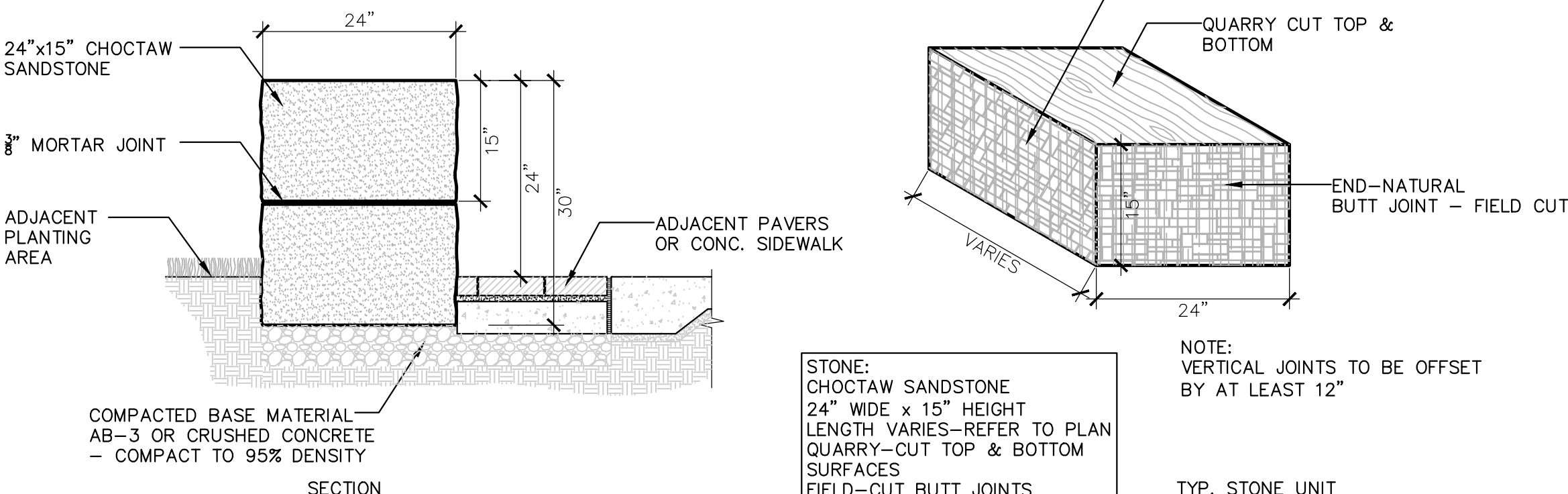
BOLLARD:  
 MANUFACTURER: RELIANCE FOUNDRY  
 MODEL: R-8460-RA  
 MATERIAL: 316 SS  
 COLOR: BLACK (POWDER COATED)

## 8 BOLLARD DETAIL

3/4" = 1'-0"



## 5 TREE WELL & GRATE



STONE:  
 CHOCTAW SANDSTONE  
 24" WIDE x 15" HEIGHT  
 LENGTH VARIES-REFER TO PLAN  
 QUARRY-CUT TOP & BOTTOM SURFACES  
 FIELD-CUT BUTT JOINTS

TYP. STONE UNIT

NOTE:  
 VERTICAL JOINTS TO BE OFFSET BY AT LEAST 12"

## 6 SANDSTONE BENCH

3/4" = 1'-0"

REVISIONS:	MARK	DATE	DESCRIPTION

PROJ NO: 472-85284  
 SCALE: 1" = 10'-0"  
 DATE: 05/29/2020  
 DESIGNED BY: J. Best  
 DRAWN BY: J. Best  
 CHECKED BY: J. Best

SHEET TITLE:  
**HARDSCAPE PLAN**

SHEET NO.  
**19**  
 SHEET 19 OF 97