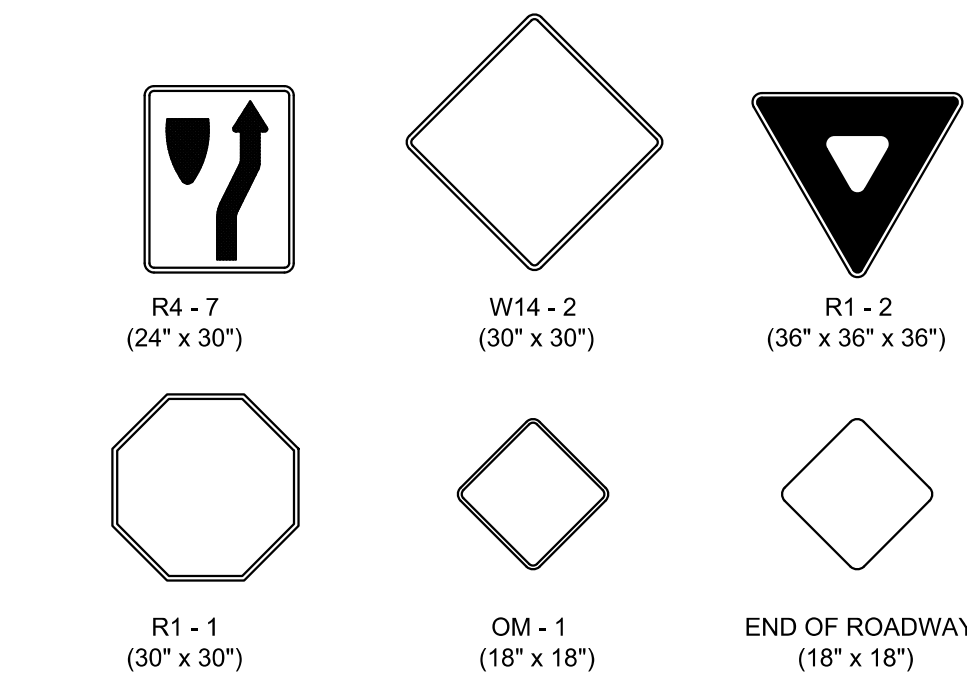
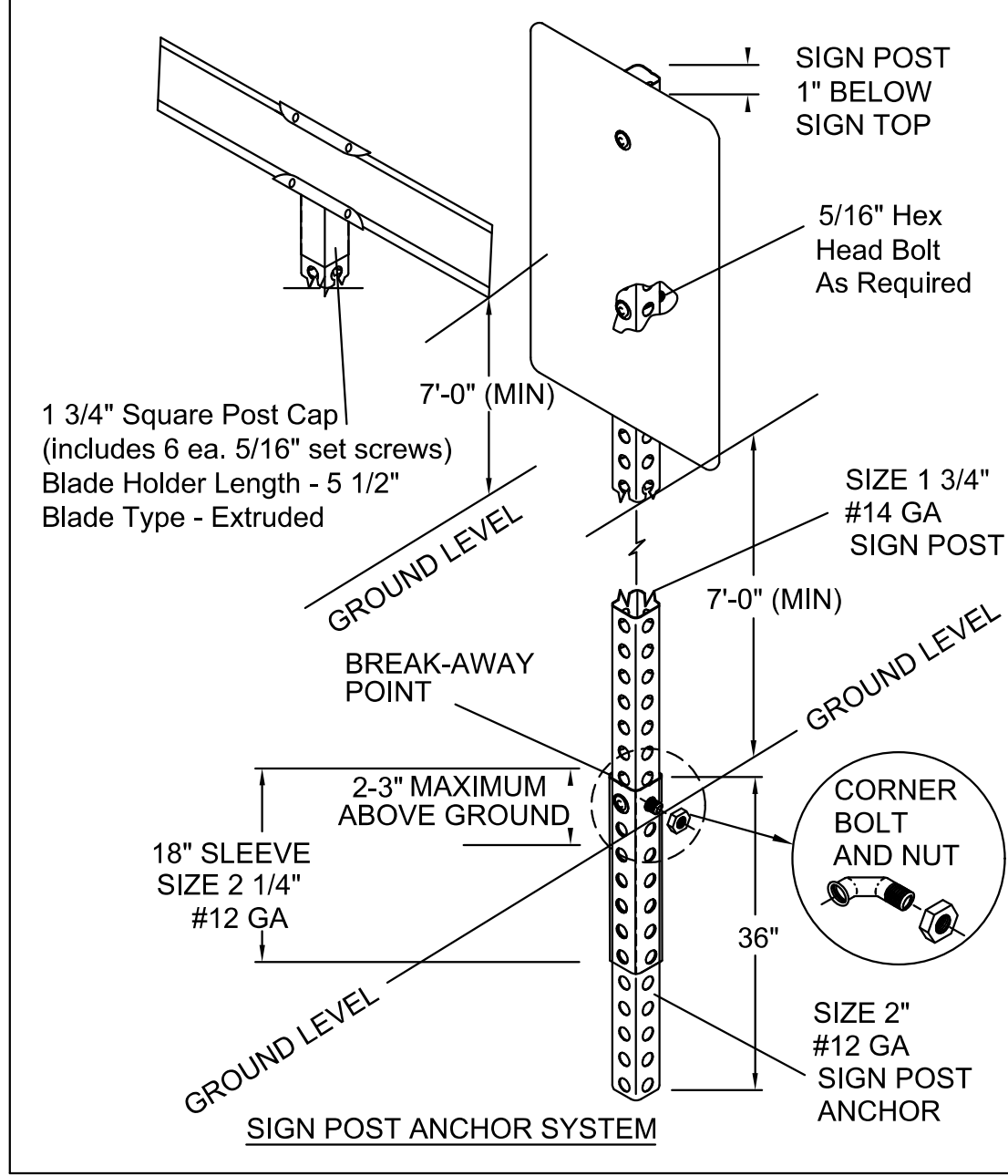


NOTE: REFERENCES BELOW TO "STANDARD SPECIFICATIONS" DENOTE "STANDARD SPECIFICATION FOR STATE ROAD AND BRIDGE CONSTRUCTION EDITION 2015" BY THE KANSAS DEPARTMENT OF TRANSPORTATION.

- FABRICATION AND INSTALLATION OF ALL SIGNS SHALL CONFORM TO THE LATEST EDITION OF THE MUTCD.**
- POST ANCHORS: POSTS SHALL BE ANCHORED WITH A YIELDING BASE POST SUPPORT AS DETAILED.
- POSTS FOR TRAFFIC CONTROL SIGNS: POSTS SHALL BE GALVANIZED AND CONFORM TO THE REQUIREMENTS OF SUBSECTION 1620 OF THE STANDARD SPECIFICATIONS, EXCEPT THAT ALL POSTS SHALL WEIGH 3 LBS./FT. MINIMUM.
- POSTS FOR STREET NAME SIGNS (SNS): POSTS SHALL BE 9 FEET LONG, CONSTRUCTED FROM #14 GALVANIZED STEEL PIPE AND SHALL BE 1 3/4" SQUARE WEIGHING A MINIMUM OF 3 LBS./FT. POSTS SHALL BE POSITIONED SO THAT THE BOTTOM BLADE IS 7 FEET ABOVE GRADE.
- POSTS FOR END OF ROADWAY SIGN TO BE 8' LONG AND INSTALLED A MINIMUM OF 4' FROM ROADWAY TO BOTTOM OF SIGN.
- SIGN BLANKS FOR TRAFFIC CONTROL SIGNS: SIGN BLANKS SHALL BE FABRICATED FROM 0.080" ALUMINUM ALLOY 6063-T6 CONFORMING TO THE REQUIREMENTS OF SUBSECTION 1627 OF THE STANDARD SPECIFICATIONS.
- SIGN BLADES FOR STREET NAME SIGNS: EXTRUDED ALUMINUM BLADES SHALL BE ALUMINUM ALLOY CONFORMING TO 6063-T6 OR 5052-H38 (ASTM SPECIFICATION B221, LATEST ISSUE). BLADES SHALL HAVE AN ALODINE OR PHOSPHATE ETCHED FINISH. BLADES SHALL HAVE SQUARE CORNERS AND NO HOLES. MINIMUM BLADE LENGTH SHALL BE 24". MAXIMUM BLADE LENGTH SHALL BE 48". LENGTH VARIES BY INCREMENTS OF 6". BLADES BEARING THE STREET NAMES SHALL BE FIRMLY ATTACHED TO THE MOUNTING BRACKETS USING ALLEN-TYPE CONICAL SET SCREWS. THE BLADES SHALL BE ORIENTED PARALLEL TO THE STREET.
- MOUNTING BRACKETS FOR SIGNS: DIE-CAST ALUMINUM BRACKETS SHALL BE ALUMINUM ALLOY 360 HAVING A TENSILE STRENGTH OF 44,000 PSI. THE BRACKETS SHALL BE SMOOTHLY FINISHED FREE OF PITS, BURRS, AND FLAWS. EACH BRACKET SHALL BE TAPPED AND DRILLED FOR 5/16" ZINC-PLATED ALLEN-TYPE SET SCREWS HAVING SELF-LOCKING SAW-TOOTH ENDS.
- FASTENERS: ALL STEEL FASTENERS FOR TRAFFIC CONTROL SIGNS SHALL BE GALVANIZED AND SHALL CONFORM TO THE REQUIREMENTS OF SUBSECTION 1614 OF THE STANDARD SPECIFICATIONS.
- REFLECTIVE SHEETING: REFLECTIVE SHEETING SHALL BE A MINIMUM OF HIGH INTENSITY PRISMATIC.
- PROCESS INK: ALL PROCESS INK SHALL CONFORM TO THE REQUIREMENTS OF SUBSECTION 2202 OF THE STANDARD SPECIFICATIONS.
- DETAILS - SNS: THE REFLECTIVE SHEETING FOR THE 9" STANDARD SIZE SNS IS TO BE THE HIGHWAY GREEN BACKGROUND WITH SILVER-WHITE #2 COPY WITH 6" UPPER CASE AND 4 1/2" LOWER CASE PRIMARY COPY AND SUFFIX COPY. BOTH SERIES "C". FACES TO TRIM TO A 8 1/2" (SEE DETAIL A.) THE REFLECTIVE SHEETING FOR THE 9" METRO SIZE SNS IS TO BE THE HIGHWAY GREEN BACKGROUND WITH SILVERWHITE #2 COPY WITH 6" UPPER CASE AND 4 1/2" LOWER CASE PRIMARY COPY AND SUFFIX COPY, BOTH SERIES "C". THE CARDINAL DIRECTION CENTERED DIRECTLY BELOW THE BLOCK NUMBER SHALL BE AN UPPER CASE, 3" SERIES "C" LETTER. FACES TO TRIM TO A 8 1/2" WIDTH. (SEE DETAIL B.) FOR CUL-DE-SAC STREETS, A 9" METRO SIZE BLADE SHALL BE USED WITH THE BLOCK NUMBERS DISPLAYED BENEATH THE STREET NAME. IF BLOCK NUMBERS ARE NOT SHOWN ON THE PLANS THE CONTRACTOR SHALL CONTACT THE TRAFFIC ENGINEER AT 268-4501 PRIOR TO MANUFACTURING THE SIGN. SHOP DRAWINGS OF LAYOUT FOR SNS SHALL BE SUBMITTED TO THE TRAFFIC ENGINEERING DIVISION OF THE CITY OF WICHITA FOR APPROVAL PRIOR TO FABRICATION. THE FINISHED SIGNS AS SUPPLIED SHALL BE OF GOOD APPEARANCE, FREE FROM RAGGED EDGES, CRACKS, SCALES OR BLISTERS AND SHALL BE CLEAN-CUT. SIGNS SHALL BE PACKED IN SUCH MANNER AS TO PREVENT DAMAGE OR DEFAACEMENT DURING SHIPMENT OR STORAGE.
- PERMANENT TRAFFIC CONTROL AND SNS: PERMANENT TRAFFIC CONTROL AND SNS SHALL BE MEASURED AND PAID FOR AT THE LUMP SUM PRICE FOR SIGNING. THE PAYMENT AS SET FORTH ABOVE SHALL BE CONSIDERED FULL COMPENSATION FOR ALL EXCAVATION, BACKFILLING, POSTS, ANCHORS, FASTENERS, MATERIALS, LABOR, TOOLS AND INCIDENTALS NECESSARY TO COMPLETE THIS WORK.

PERFORATED TUBE SIGN POST INSTALLATION



* IN NO CASE SHALL THE SPECIFICATIONS BE LESS THAN REQUIRED BY THE CURRENT MUTCD.

SUMMARY OF SIGNING QUANTITIES

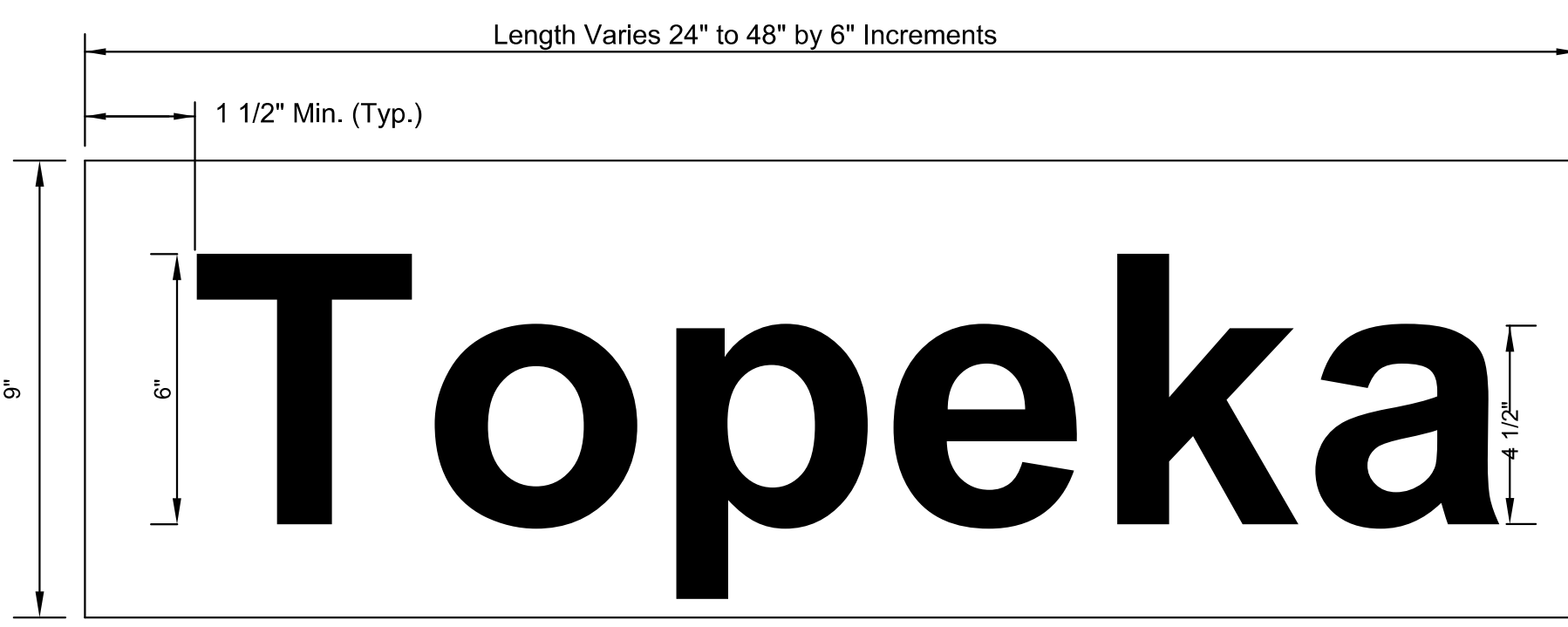
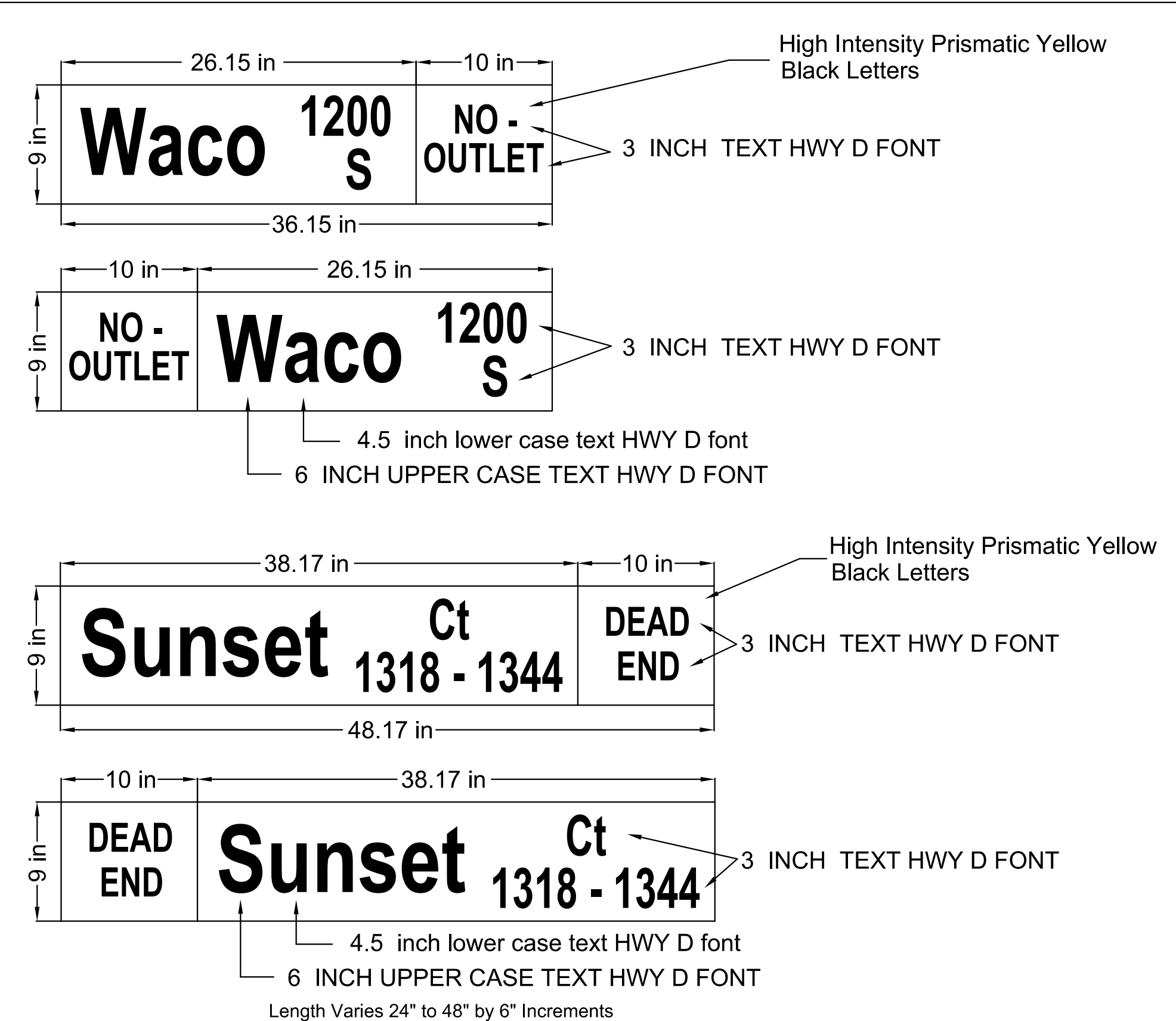
- FOR INFORMATION ONLY -

		SIGN DESIGNATION & SIZE													
STA.	SIDE	W1-1 30"x30"	W2-6 36"x36"	W13-1P 18"x18"	W17-1 36"x36"	R1-1 36" x 36"	R6-1R 36" x 12"	R7-1R 12"x18"	R7-1L 12"x18"	SPECIAL 12"x18"	R1-5 36"x36"	R7-8 12"x18"	R7-107 12"x18"	D3-1 Varies	R7-108 12"x18"
11+97	Lt.	-	1	1	-	-	-	-	-	-	-	-	-	-	-
Light Pole	Lt.	-	-	-	-	-	-	1	-	-	-	-	-	-	-
12+73	Rt.	-	-	1	1	-	-	-	-	-	1	-	-	-	-
13+27	Rt.	-	-	-	-	-	-	-	1	-	-	-	-	-	-
13+31	Lt.	-	-	-	-	-	-	1	1	-	-	-	-	-	-
13+79	Lt.	-	-	-	-	-	-	-	1	-	-	-	-	-	-
13+80	Rt.	-	-	-	-	-	-	1	-	-	-	-	-	-	-
14+09	Lt.	-	-	-	-	-	-	-	-	-	-	-	-	-	1
14+20	Rt.	-	-	-	-	-	-	-	-	-	-	-	-	-	1
14+37	Lt.	-	-	1	1	-	-	-	-	-	1	-	-	-	-
14+75	Lt.	-	-	-	-	-	-	-	-	-	-	1	-	-	-
14+95	Lt.	-	-	-	-	-	-	-	-	-	-	1	-	-	-
Light Pole	Lt.	-	-	-	-	-	-	-	-	-	-	1	-	-	-
16+75	Lt.	-	-	-	-	-	-	1	-	-	-	-	-	-	-
20+01	Lt.	-	-	-	-	-	-	-	-	1	-	-	1	-	-
20+12	Rt.	1	-	1	-	-	-	-	1	-	-	-	-	-	-
21+02	Lt.	-	-	-	-	-	-	-	1	-	-	-	-	-	-
21+04	Rt.	-	-	-	-	1	1	-	-	-	-	-	-	-	-
21+33	Lt.	-	-	-	-	-	-	-	-	-	-	-	-	2	-
TOTALS:		1	1	4	2	1	1	4	5	1	2	3	1	2	2

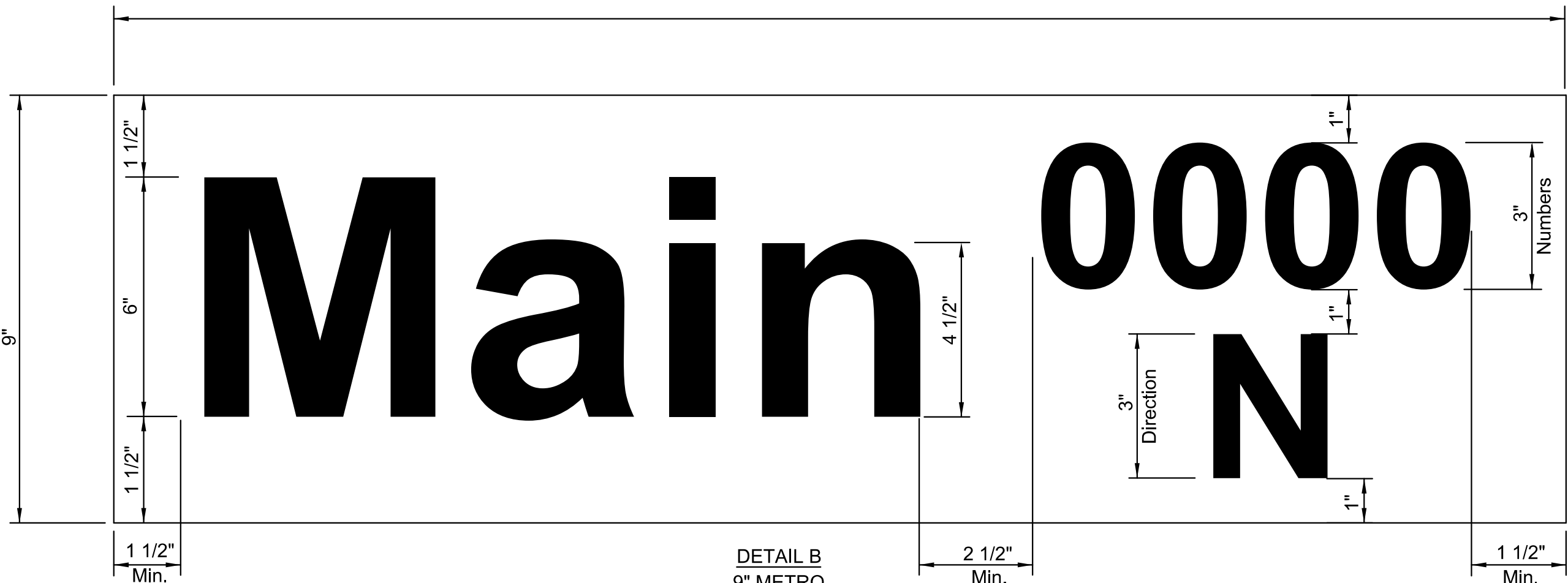
REMOVALS

- FOR INFORMATION ONLY -

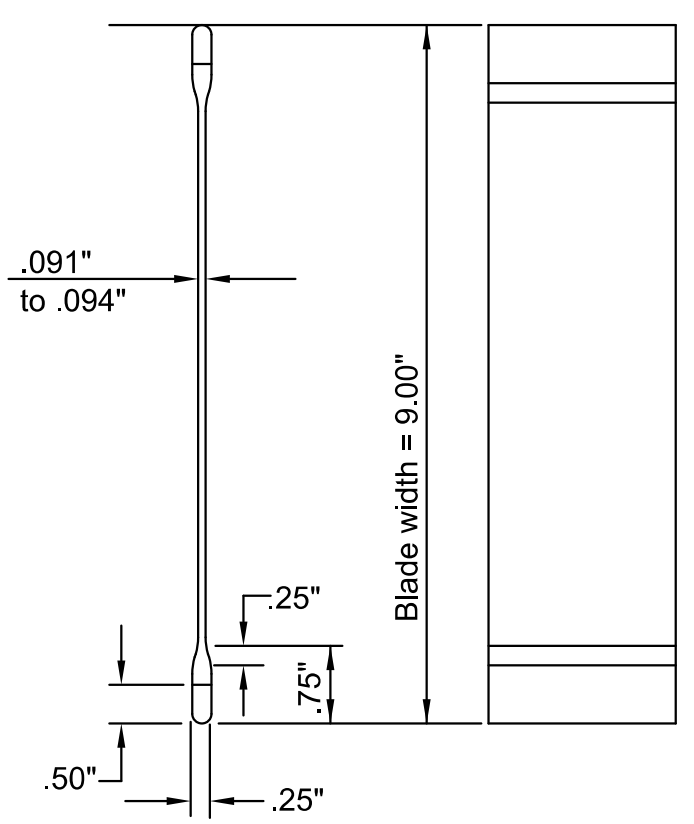
STA. TO STA.	SIDE	SIGNS	POSTS	
10+53	12+00	Rt.	1	1
10+53	12+00	Lt.	1	1
12+00	18+00	Rt.	3	3
12+00	18+00	Lt.	4	3
18+00	21+04	Rt.	7	4
18+00	21+04	Lt.	-	-
TOTALS:		16	12	



DETAIL A
9" STANDARD



DETAIL B
9" METRO



STREET NAME SIGN
BLADE DETAILS

Tran Systems
245 NORTH WACO
SUITE 222
WICHITA, KANSAS 67202
PHONE: 316-303-3000
FAX: 316-462-5629

CONSULTANTS:
LK ARCHITECTURE, INC.
345 RIVERVIEW
SUITE 200
WICHITA, KANSAS 67208
PHONE: 316-268-0230

SYCAMORE STREET IMPROVEMENTS
WICHITA, KANSAS
CITY OF WICHITA

REVISIONS:	MARK	DATE	DESCRIPTION

PROJ NO: 472-85463
SCALE: NTS
DATE: 6/1/2020
DESIGNED BY: TAU
DRAWN BY: TAU
CHECKED BY: MDB

SHEET TITLE:
**SIGNING
GENERAL NOTES
& SUMMARY
OF QUANTITIES**

SHEET NO.
68
SHEET 68 OF 97