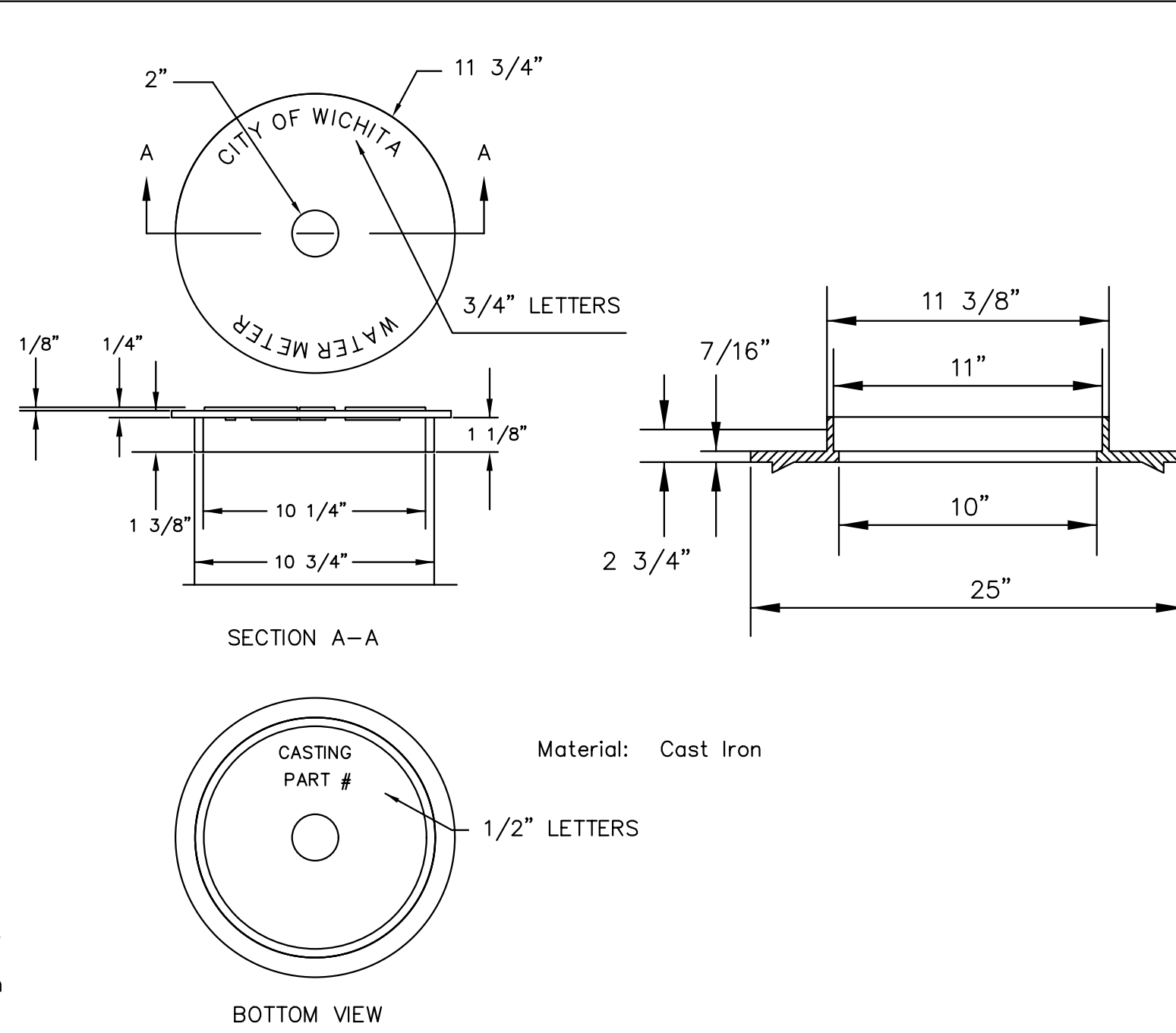


Minimum length of pigtail on consumer side is 36" of copper tubing from meter set.  
 Bore hole under paving shall be a maximum of 2" in diameter and a minimum of 36" below top of pavement.  
 Service Saddles are required on all mains.  
 Meter boxes will be located on each lot to be served, as indicated in the SPECIAL PROVISIONS

**TYPICAL 1" METER SETTING**

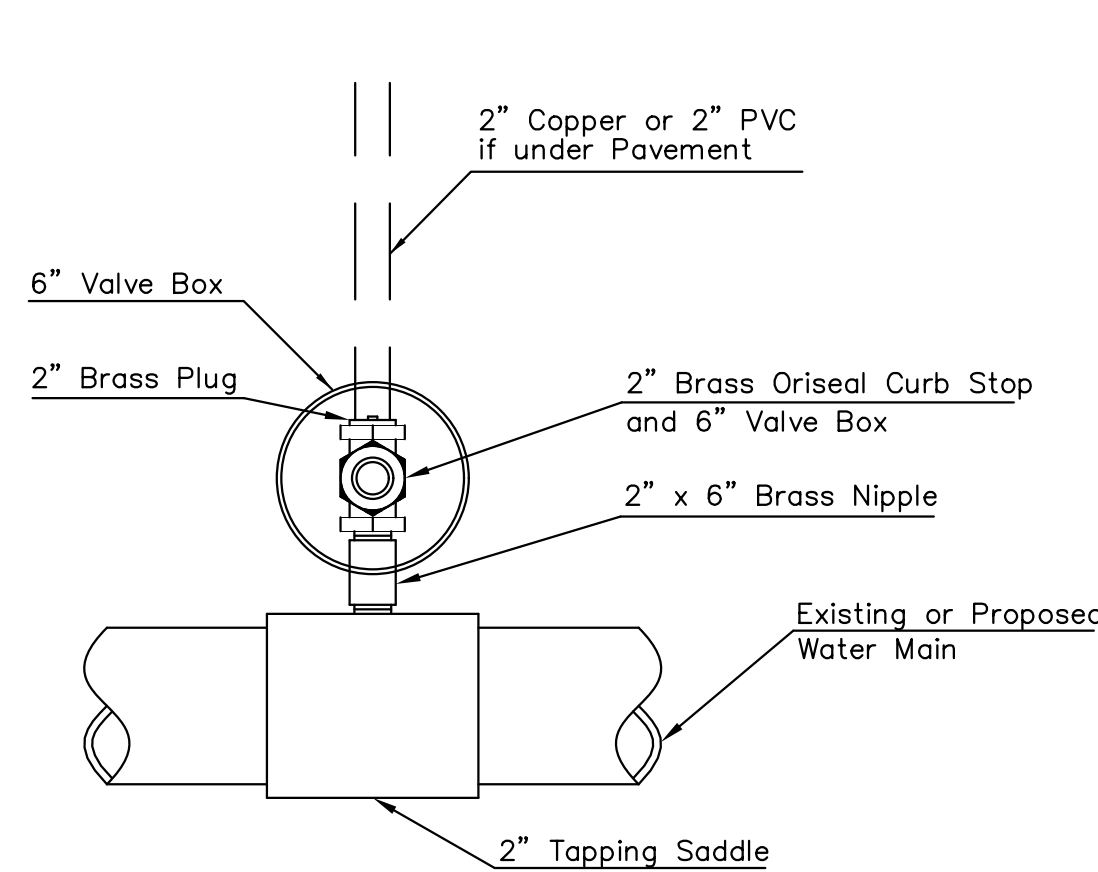


**NOT TRAFFIC RATED RING & LID FOR 1" METER BOX**

- 1 - Ø Mueller Thread Corporation Stop
- Ø Type "K" Copper Tubing
- 1 - Ø Copper to Iron Union (Male)
- 1 - Ø Brass Curb Stop (Iron to Iron)
- 2 - Øx4" Brass Nipple
- Air Release
- 2 - Ø Brass Elbows (90')
- 1 - 1"x6" Brass Nipple
- 1 - 30" Monitor Cover
- 1 - 20" Meter Lid

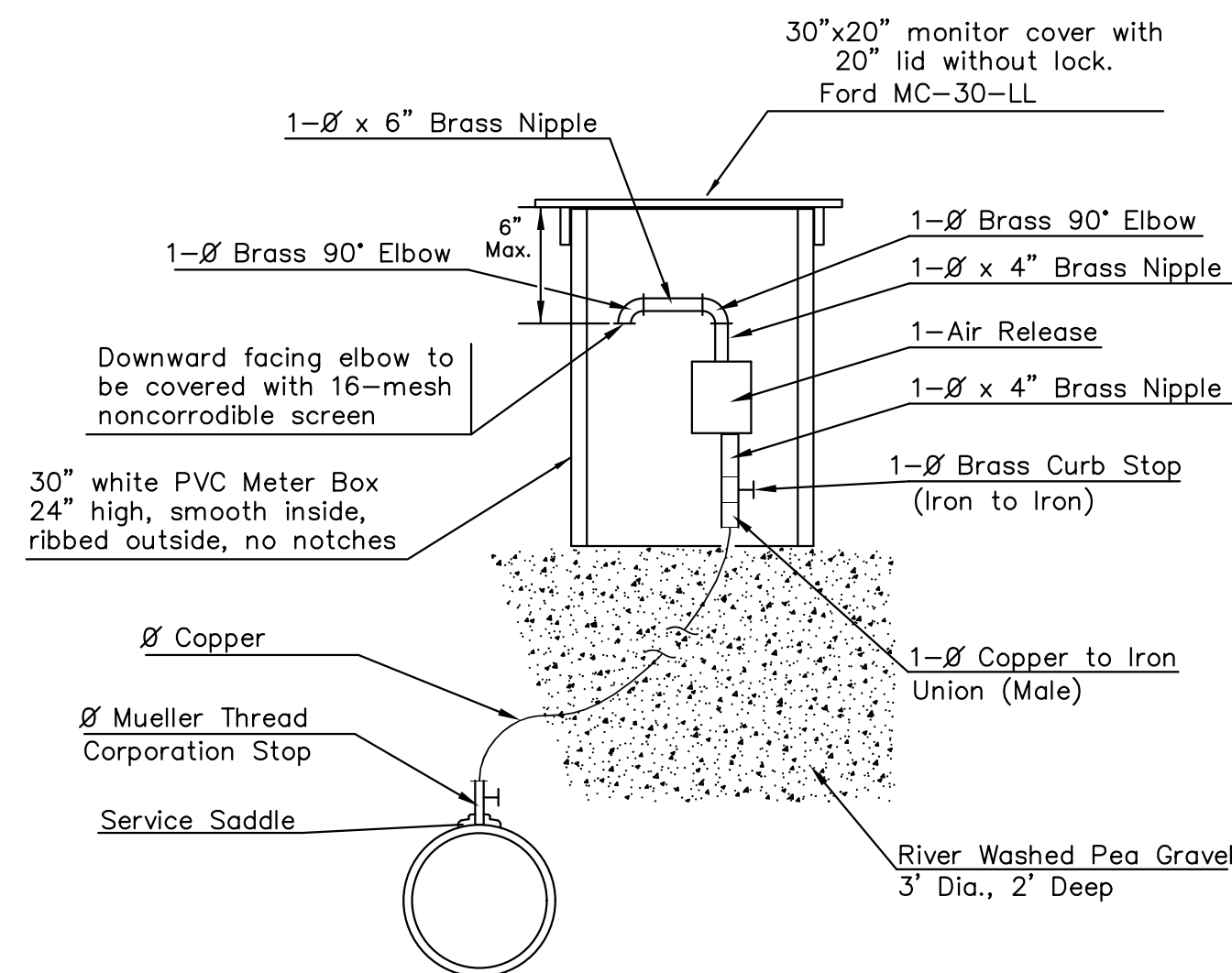
NOTE:

THE 1 1/2" AIR RELEASE ASSEMBLY WILL TYPICALLY BE USED ON WATER MAINS 24" AND SMALLER, AS SPECIFICALLY DESIGNATED IN THE PLANS. COMBINATION AIR RELEASE ASSEMBLIES WILL BE SPECIFICALLY DESIGNED FOR PROJECTS WITH LARGER MAINS, AND WILL BE INCLUDED IN THE PLANS.

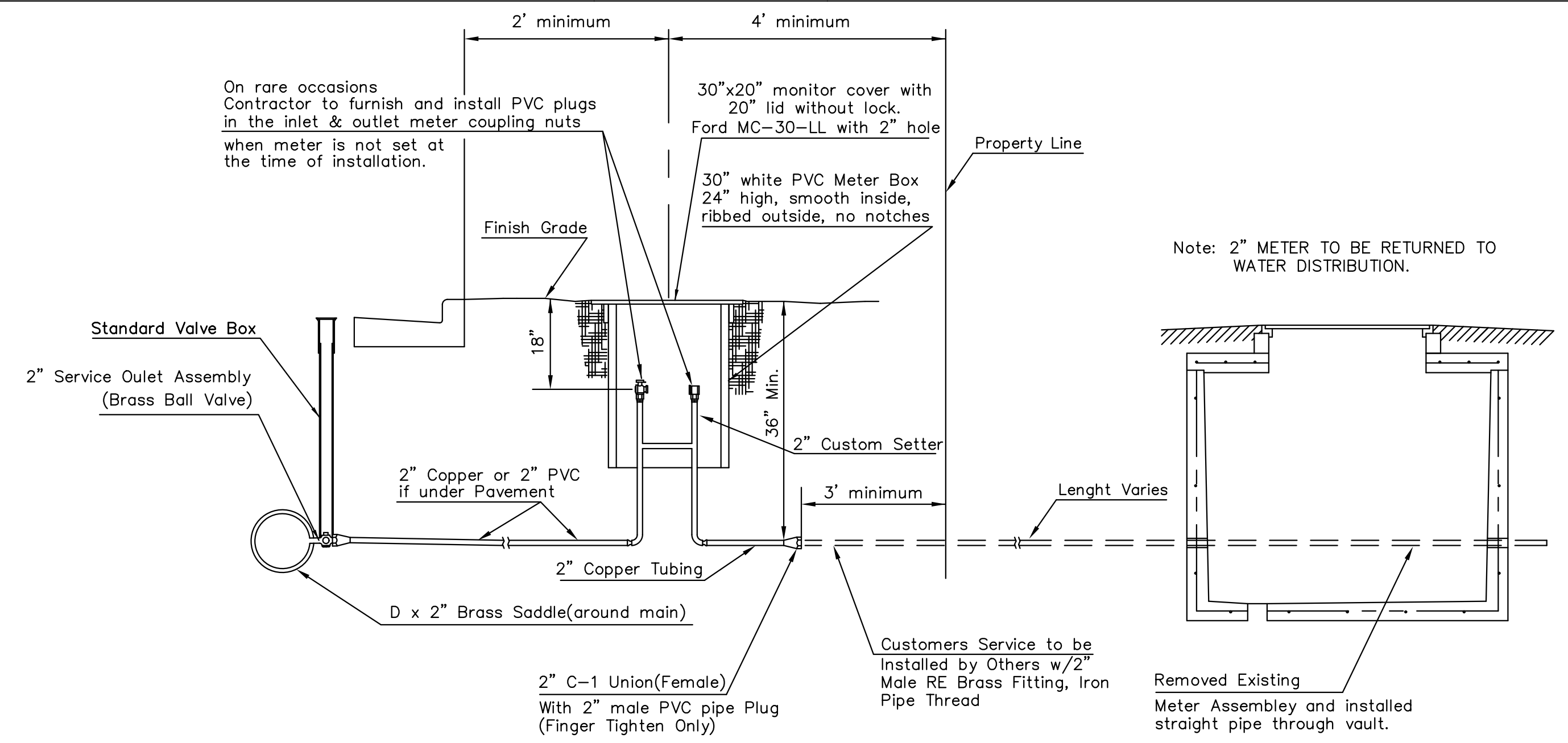


Note: Where the 2" Service Outlet Assembly is to be used to connect a 2" main to another main, the 2" valve shall be a 2" IPT Gate Valve. 2" ball or globe valves shall not be approved for this use.

**2" SERVICE OUTLET ASSEMBLY**  
TOP VIEW



**MATERIALS FOR 1" or 2" AIR RELEASE ASSEMBLY**  
Ø = 1" or 2"

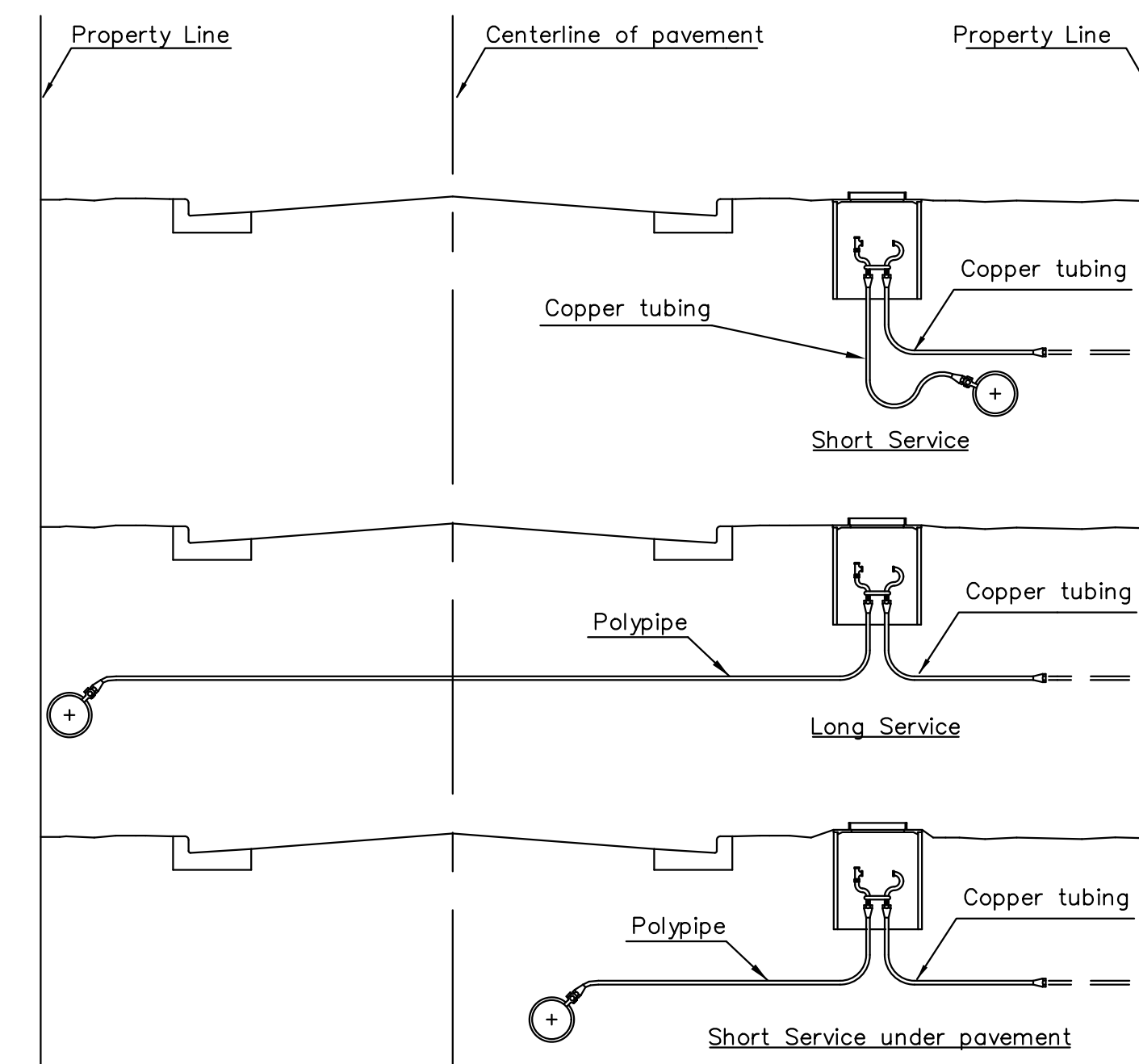


**TYPICAL 2" METER SETTING**

Note: ONE VALVE STEM EXTENSION FOR EACH VALVE BURIED GREATER THAN 5'.

**TYPICAL 2" METER SETTING INVOLVING EXISTING 2" METER VAULT**

Note: ONE VALVE STEM EXTENSION FOR EACH VALVE BURIED GREATER THAN 5'.



**SERVICE TYPES**

REVISED: JANUARY 2015

**CITY OF WICHITA**  
PUBLIC WORKS & UTILITIES  
ENGINEERING DIVISION

**STANDARD WATER SERVICE DETAIL**

CITY ENGINEER  
**GARY JANZEN, P.E.**

PROJECT NUMBER	OCA NUMBER	DATE
472-85463	707144	6/1/2020

CITY ENGINEER'S OFFICE  
CITY HALL - SEVENTH FLOOR  
455 NORTH MAIN STREET  
WICHITA, KANSAS 67202-1620  
(316) 268-4501

SHEET  
75 of 97