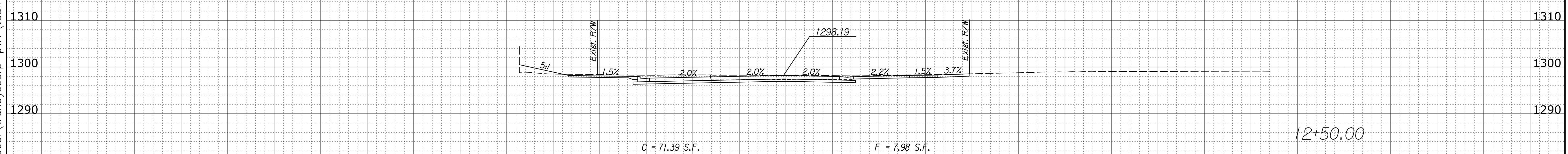
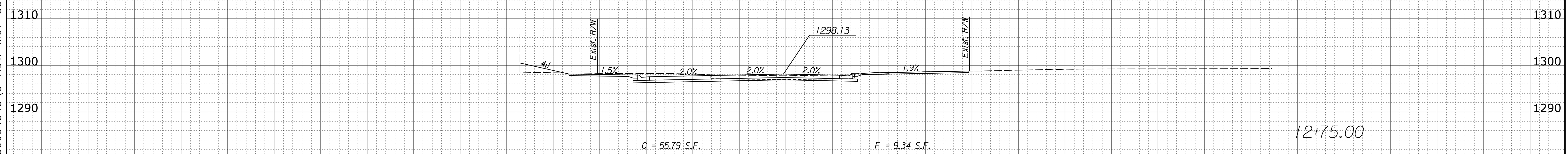
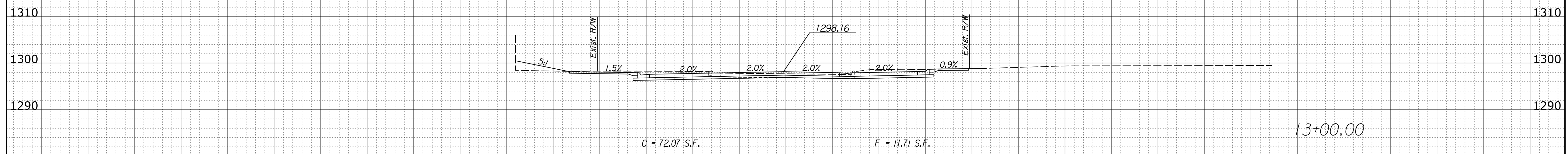
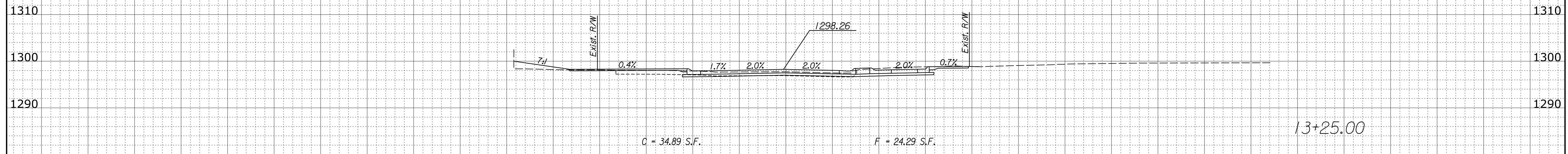


Plotted B:\road Plotted6/1/2020
File z:\transystems\pw_local\transyscorp-pw1\taummel\d0694545\C-RDW-M01-801.dgn

STATE	PROJECT NO.	YEAR	SHEET NO.	TOTAL SHEETS
KANSAS	472-85463	2020	85	97



Sycamore Street Improvements
12+50.00 to 13+25.00