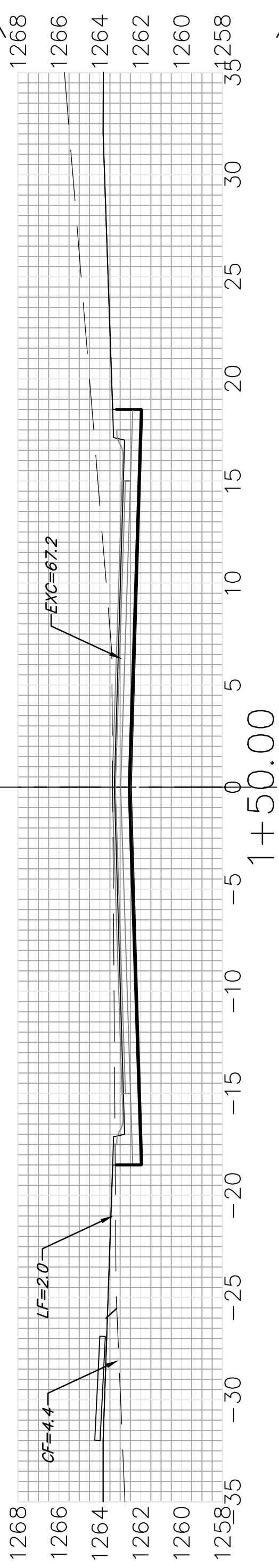
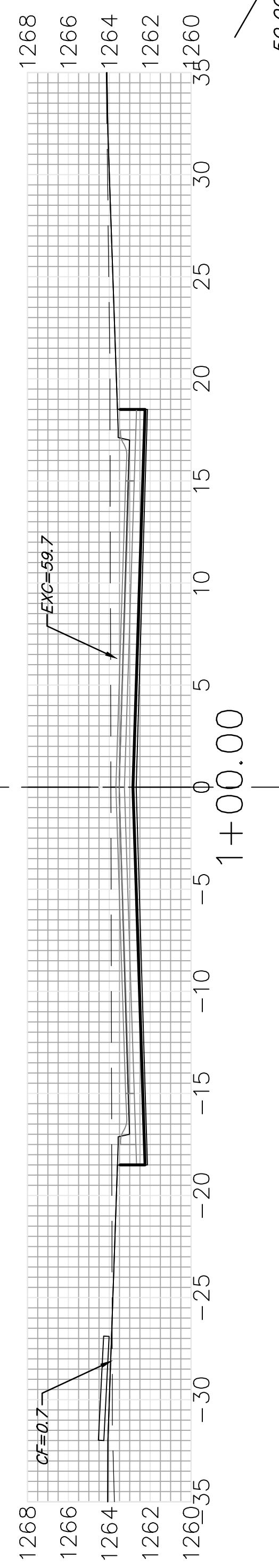


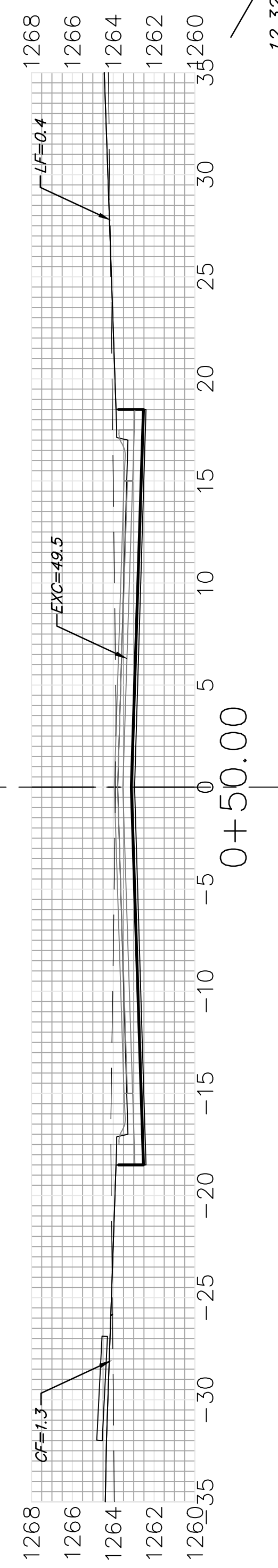
EXC = 85.6  
LF = 2.9  
CF = 4.5



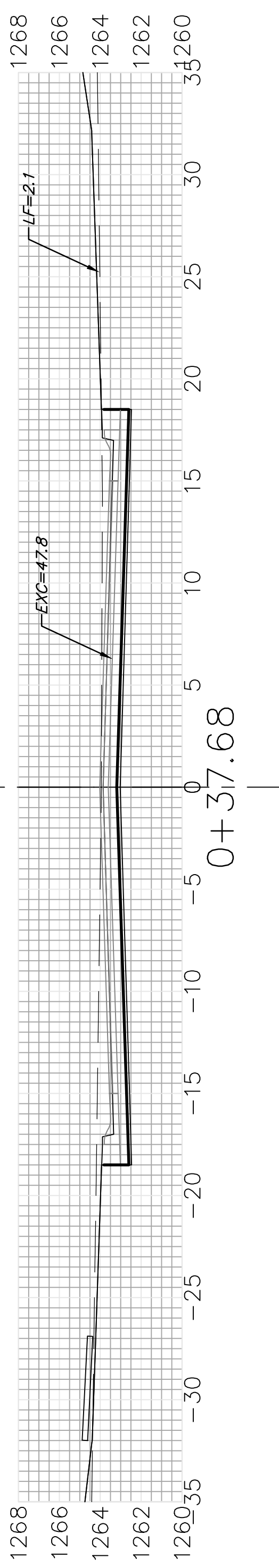
EXC = 117.5  
LF = 1.9  
CF = 4.7



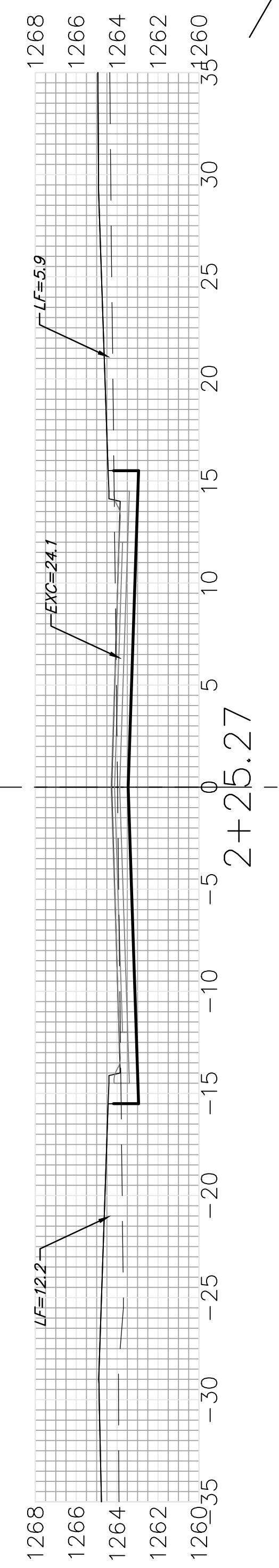
EXC = 101.1  
LF = 0.4  
CF = 1.9



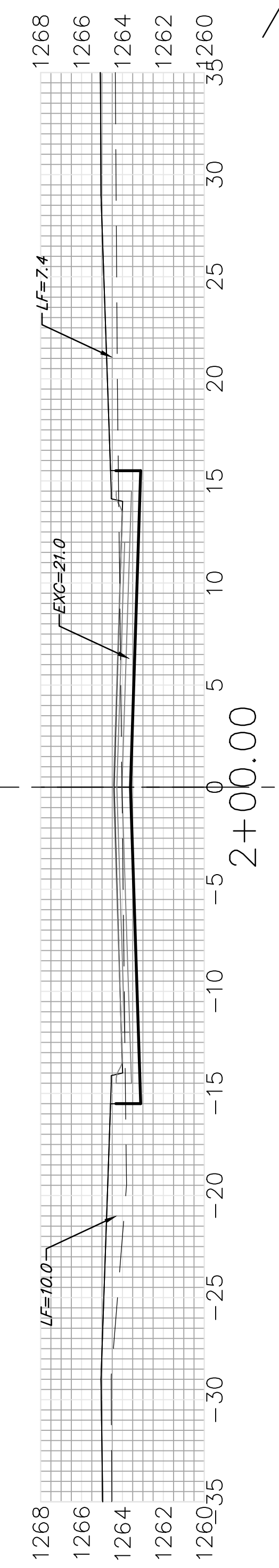
EXC = 22.2  
LF = 0.6  
CF = 0.3



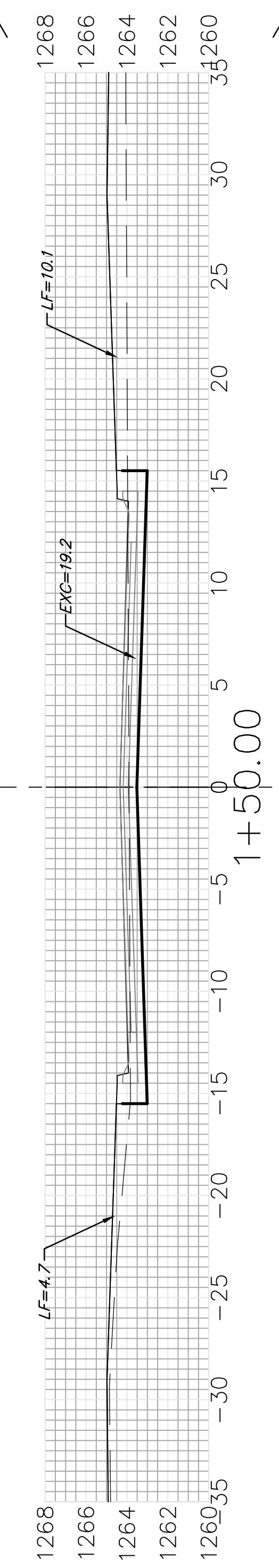
MA YWOOD



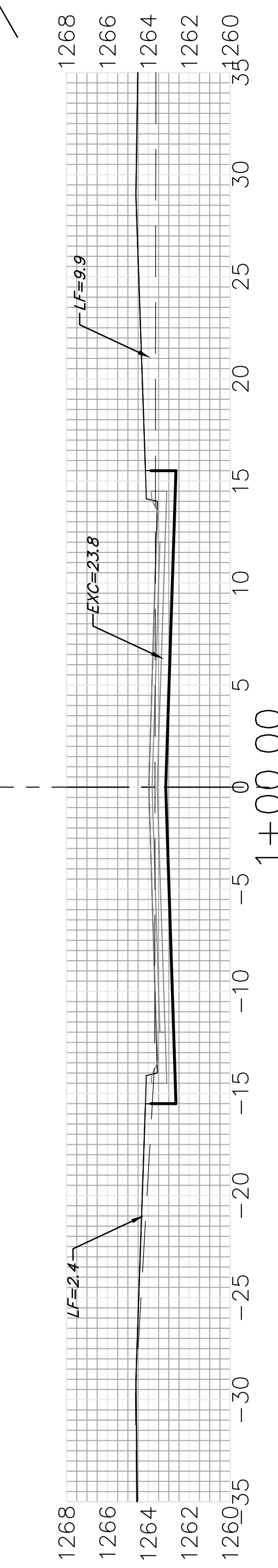
EXC = 21.1  
LF = 16.6  
CF = 0.0



EXC = 37.2  
LF = 29.8  
CF = 0.0



EXC = 39.8  
LF = 25.1  
CF = 0.0



SHOFFNER CT.

Sheet Totals  
Excavation = 424.5 C.Y.  
Loose Fill = 77.3 C.Y.  
Compacted Fill = 11.4 C.Y.

